

# SPARE PARTS BOOK

EL PRIMA PRO



12/05/2025

---

*Victoria Arduino*

INSPIRED BY YOUR PASSION.



INSPIRED BY YOUR PASSION.

- T.01 **CABINET PARTS**  
COMPONENTI GRUPPO CARENA
- T.02 **CONTROL PANEL PARTS**  
COMPONENTI INVOLUCRO COMANDI
- T.03 **POURING GROUP PARTS**  
COMPONENTI GRUPPO EROGAZIONE
- T.04 **HYDRAULIC PARTS**  
COMPONENTI IDRAULICI
- T.05 **STEAM & HOT WATER PARTS**  
COMP. VAPORE E ACQUA CALDA
- T.06 **EASY CREAM PARTS**  
COMPONENTI EASY CREAM
- T.07 **HYDRAULIC GROUP PARTS**  
COMPONENTI GRUPPO IDRAULICO
- T.08 **BOILER PARTS**  
COMPONENTI CALDAIA
- T.09 **FRAME PARTS**  
COMPONENTI TELAIO
- T.10 **ELECTRONIC & ELECTRICAL PARTS**  
COMP. ELETTRICI ED ELETTRONICI

» LEGEND :

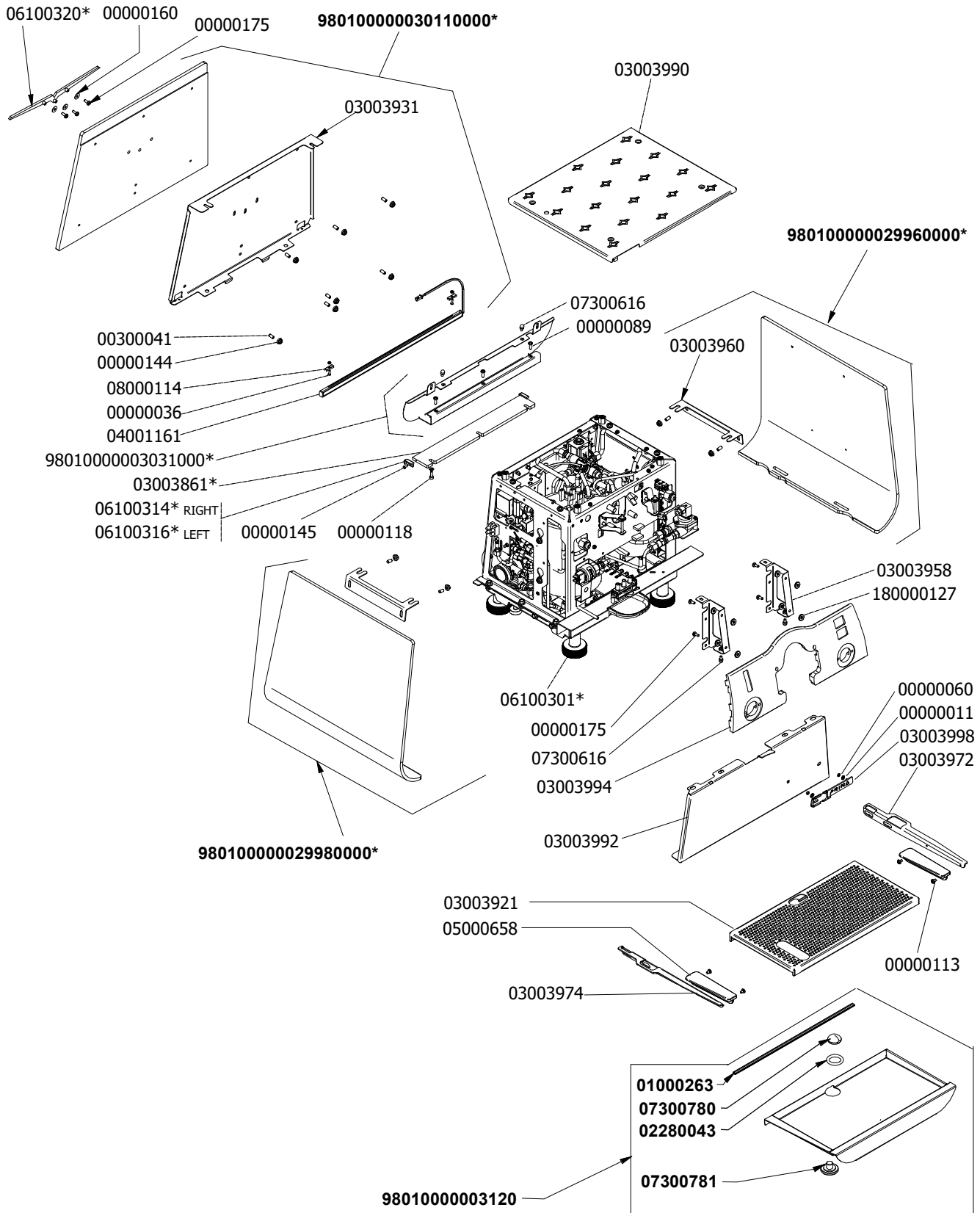
THE CODES WRITTEN IN BOLD REFER TO THE COMPONENTS  
EMPLOYED CURRENTLY.

THE CODES USED BEFORE ARE WRITTEN IN CORSIVE WITH INDICATED,  
ON THE SIDE, THE END OF VALIDITY DATE.

EXAMPLE:

*03001531 - 01/09/2007*

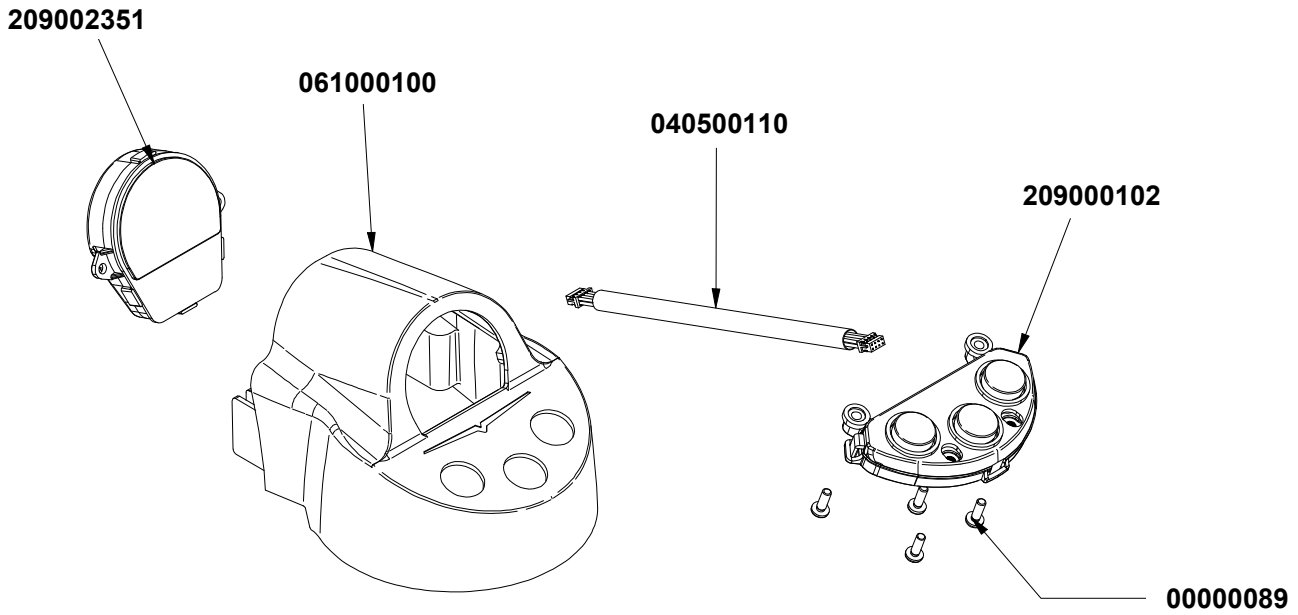
**03001531**



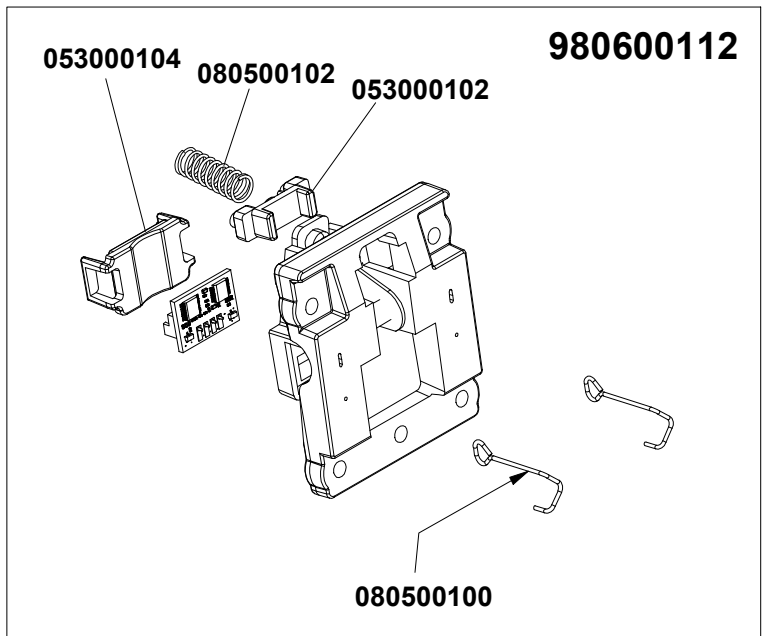
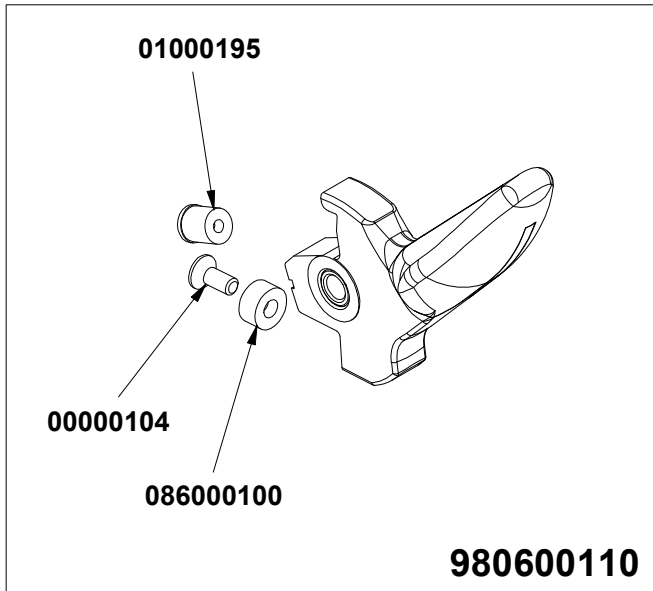
\*Specify Version

COD.	DESCRIPTION	DESCRIZIONE	VAL.
00000011	S/S KNURLED WASHER M4 UNI8842/A	RONDELLA INOX M4 ZIGRINATA UNI8842/A	
00000036	GALV CROSS HEAD COUNTERSUNK SCREW M3x10	VITE AQ M3x10 T SVP T.CR.ZINC	
00000060	GALV MEDIUM NUT AQ M3	DADO AQ M3 MEDIO ZINCATO	
00000089	S/S CROSSHEAD CAP SCREW M4x12 DIN7985	VITE INOX M4x12 TC TCR DIN7985	
00000113	S/S CROS SHEAD CAP SCREW M4x6 7985	VITE INOX M4x6 TC TCR 7985	
00000118	S/SHEX SOCKET CAP SCREW M4x12 5931	VITE INOX M4x12 TCEI 5931	
00000144	GALV FLANGED NUT M5 UNI 6923	DADO AQ M5 FLANGIATO ZINC. UNI6923	
00000145	S/S SCREW M3x8 TSPEI UNI 5933	VITE INOX M3x8 TSPEI UNI 5933	
00000160	S/S WASHER D4X12 UNI 6593	RONDELLA INOX D4x12x1 UNI 6593	
00000175	S/S CROSS HEAD CAP SCREW M4X10	VITE INOX M4x10 TC TCR	
00300041	S/S FH GRUB SCREW M5X10	GRANO INOX M5x10 PUNTA PIANA	
01000263	RUBBER PROFILE GASKET FOR PLATE	GUARNIZIONE PROFILO IN GOMMA PER PIATTO	
02280043	GASKET OR 9,50x2,00 EP851	GUARN. OR 9,50x2,00 EP851	
03003861	REAR INFERIOR PROFILE EAGLE ONE 1GR ALLUMINUM	PROFILO RETRO INFERIORE 1GR EAGLE ONE ALLUMINIO	
03003861.BV	REAR INFERIOR PROFILE WHITE	PROFILO RETRO INFERIORE 1GR EAGLE ONE BIANCORAL	
03003861.NOV	REAR INFERIOR PROFILE MATT BLACK	PROFILO RETRO INFERIORE 1GR EAGLE ONE NERO OPACO	
03003861.RMV		PROFILO RETRO INFERIORE 1GR EAGLE ONE RAL 3020 OPACO	
03003921	WORKTOP NET 1GR EAGLE	RETINA PIANO LAVORO 1GR. EAGLE	
03003931	SUP BACK PANEL SUPPORT 1GR	SUPPORTO CARENA RETRO SUPERIORE 1GR EAGLE	
03003958	BOARD PANEL SUPPORT	SUPPORTO PANNELLO COMANDI EAGLE ONE 1GR	
03003960	SUPERIOR SIDE PLATE FRAME SUPPORT E1 PRIMA	LAMIERA SUP. SUPPORTO FIANCO CARENA EAGLE ONE 1GR	
03003972	RIGHT PLATE GUIDE SHEET EAGLE ONE 1GR	LAMIERA GUIDA PIATTO DX EAGLE ONE 1GR	
03003974	LEFT PLATE GUIDE SHEET EAGLE ONE 1GR	LAMIERA GUIDA PIATTO SX EAGLE ONE 1GR	
03003990	UPPER CUPWARMER GRILL	PORTATAZZE SUPERIORE E1 PRO	
03003992	LOWER FRONT PANEL	PARETE FRONTALE INF. E1 PRO	
03003994	FRONT PANEL CHROMED ALLUMINUM	PARETE FRONTALE E1 PRO ALLUMINIO CROMATO	
03003998	FRONT LOGO E1 PRIMA PRO	LOGO FRONTALE E1 PRO	
04001161	STRIP LED EAGLE ONE 1GR.	STRIP LED EAGLE ONE 1GR.	
05000658	FLAT WATER DRIP TRAY EAGLE ONE	APPOGGIO PIATTO RACCOGLIACQUA EAGLE ONE	
06100301	FOOT MACHINE	PIEDE MACCHINA EAGLE ONE 1GR.	
06100301.NOV	FOOT MACHINE MTTBLK	PIEDE MACCHINA EAGLE ONE 1GR. NERO OPACO VERN.	
06100314	RIGHT TERMINAL INF. BACKSIDE PROFILE	TERMINALE DX PROFILO RETRO INFERIORE EAGLE ONE 1GR	
06100314.NOV	RIGHT TERMINAL INF. BACKSIDE PROFILE MTTBLK	TERMINALE DX PROF. RETRO INF. E1 PRIMA NERO OPACO	
06100314.RMV	RIGHT TERMINAL INF. BACKSIDE PROFILE RED	TERMINALE DX PROF. RETRO INF. E1 PRIMA RAL 3020 OPACO	
06100316	LEFT TERMINAL INF. BACKSIDE PROFILE	TERMINALE SX PROFILO RETRO INFERIORE EAGLE ONE 1GR	
06100316.NOV	LEFT TERMINAL INF. BACKSIDE PROFILE MTTBLK	TERMINALE SX PROF. RETRO INF. E1 PRIMA NERO OPACO	
06100316.RMV	LEFT TERMINAL INF. BACKSIDE PROFILE RED	TERMINALE SX PROF. RETRO INF. E1 PRIMA RAL 3020 OPACO	
06100320	REAR EAGLE LOGO STEELUX	LOGO AQUILA POSTERIORE EAGLE ONE 1GR. ALL. LUCIDO	
06100320.NOV	REAR EAGLE LOGO MTTBLK	LOGO AQUILA POSTERIORE EAGLE ONE 1GR. NERO OPACO	
06100320.RMV	REAR EAGLE LOGO RED	LOGO AQUILA POSTERIORE EAGLE ONE 1GR. RAL 3020 OPACO	
07300616	MICROBAR FRAME PIN M4	PERNO CARENA M4 MICROBAR	
07300780	DRIP TRAY CAP EAGLE ONE 1GR	TAPPO VASCHETTA EAGLE ONE 1GR	
07300781	SCREW FOR DRIP TRAY CAP EAGLE ONE 1GR	VITE PER TAPPO VASCHETTA EAGLE ONE 1GR	
08000114	FIXING SPRING REAR LED EAGLE ONE	MOLLA FISSAGGIO LED POSTERIORE EAGLE ONE	
180000127	FRONT PANEL SUPPORT INSULATION	ISOLANTE SUPPORTO PARETE FRONTALE E1 PRO	
980100000029960001	RIGHT SIDE 1GR STEELUX	ASSIEME FIANCO DX 1GR. STEELUX	
980100000029960002	RIGHT SIDE PANEL 1GR. MATT BLACK	ASSIEME FIANCO DX 1GR. NERO OPACO	

COD.	DESCRIPTION	DESCRIZIONE	VAL.
980100000029960003	RIGHT SIDE PANEL 1GR. WHITE	ASSIEME FIANCO DX 1GR. BIANCO OPACO	
980100000029960050	RIGHT SIDE 1GR RED	ASS. FIANCO DX E1 PRIMA TOTAL RED	
980100000029980001	LEFT SIDE SET 1GR STEELUX	ASSIEME FIANCO SX 1GR. STEELUX	
980100000029980002	LEFT SIDE PANEL 1GR. MATT BLACK	ASSIEME FIANCO SX 1GR. NERO OPACO	
980100000029980003	LEFT SIDE PANEL 1GR. WHITE	ASSIEME FIANCO SX 1GR. BIANCO OPACO	
980100000029980050	LEFT SIDE 1GR RED	ASS. FIANCO SX E1 PRIMA TOTAL RED	
980100000030110001	BACK FRAME SET EAGLE ONE 1GR. STEELUX WITH LIGH	ASS. CARENA RETRO 1GR. STEELUX CON LUCI	
980100000030110002	REAR PANEL ASS. 1 GR. MATT BLACK WITH LIGHTS	ASS. CARENA RETRO 1GR. NERO OPACO CON LUCI	
980100000030110003	REAR PANEL ASS. 1 GR. WHITE WITH LIGHTS	ASS. CARENA RETRO 1GR. BIANCO OPACO CON LUCI	
980100000030110050	BACK FRAME SET EAGLE ONE 1GR. RED	ASS. CARENA RETRO E1 PRIMA TOTAL RED	
980100000030310001	INFERIOR RETRO FRAME SET 1GR STEELUX	ASSIEME CARENA RETRO INF. STEELUX	
980100000030310002	INFERIOR RETRO FRAME SET 1GR MATT BLACK	ASSIEME CARENA RETRO INF. NERO OPACO	
980100000030310010	INFERIOR RETRO FRAME SET 1GR RED	ASS. CARENA RETRO INF. EAGLE ONE 1GR. TOTALRED	
98010000003120	COMPLETE WATER COLLECTION PLATE ASS. WITH HOLE	ASS. PIATTO RACC.ACQUA CON FORO COMPL. E1 PRIMA	

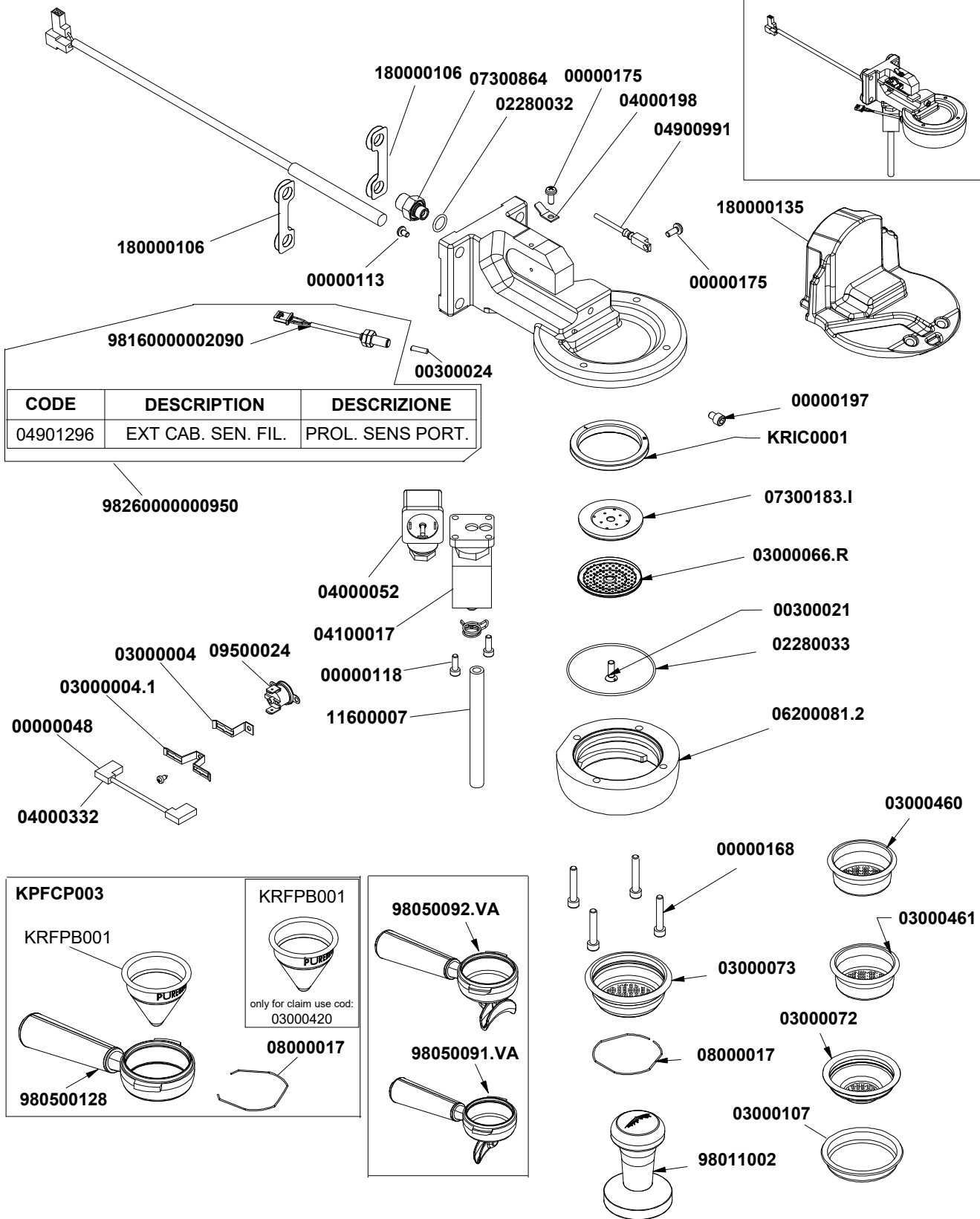
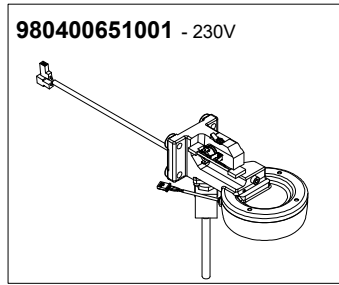


CODE	DESCRIPTION	DESCRIZIONE
040500121	USB CABLE	CAVO USB

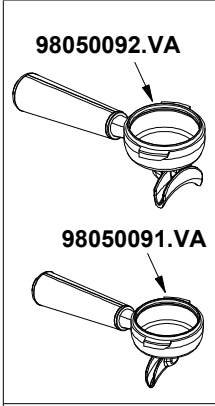
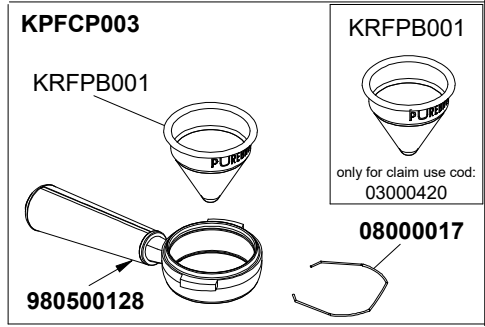


\*Specify Version

COD.	DESCRIPTION	DESCRIZIONE	VAL.
00000089	S/S CROSSHEAD CAP SCREW M4x12 DIN7985	VITE INOX M4x12 TC TCR DIN7985	
00000104	S/S CROSSHEAD COUNTERSUNK SCREW M4x10 DIN965	VITE INOX M4x10 TSP TCR DIN965	
01000195	SPRING PRESSOR D8 TALENTO	PRESSORE A MOLLA D.8 TALENTO	
040500110	CONN.CABLE DISPENSING KEYPAD BOARD - DISPLAY BO	CAVO COLL. SCHEDA EROG.-SCHEDA DISPLAY MAVERICK	
040500121	USB A (F) - USB C (M) 90° CABLE L=300MM (ORIZ)	CAVO USB A (F) - USB C (M) 90° ORIZZONTALE L=300mm	
053000104	STEAM LEVER SENSOR CAP MAVERICK	TAPPO SENSORE LEVA VAPORE MAVERICK	
061000100	GROUP COVER MAVERICK	COPRIGRUPPO MAVERICK	
080500100	SPRING STEAM LEVER LOCK PIVOT	MOLLA BLOCCAGGIO PERNO LEVA VAPORE MAVERICK	
080500102	SPRING STEAM LEVER RETURN	MOLLA RICHIAMO LEVA VAPORE MAVERICK	
086000100	MAGNET 3x05Ni-35SH	MAGNETE D10X04,3x05 Ni-35SH	
209000102	KEY DISPENSING KEYPAD BOARD MAVERICK WITH DISPL	SCHEDA EROGAZIONE MAVERICK CON CAVO COLL. DISPL	
209002351	DISPLAY BOARD DISPENSING GROUP	SCHEDA DISPLAY GRUPPO EROGAZ. E1 PRO	
980600110	STEAM LEVER KIT MAVERICK (NO SUPPORT)	ASS. LEVA VAPORE MAVERICK (SENZA SUPPORTO)	
980600112	SUPPORT STEAM LEVER KIT MAVERICK	ASS. SUPPORTO LEVA VAPORE MAVERICK	



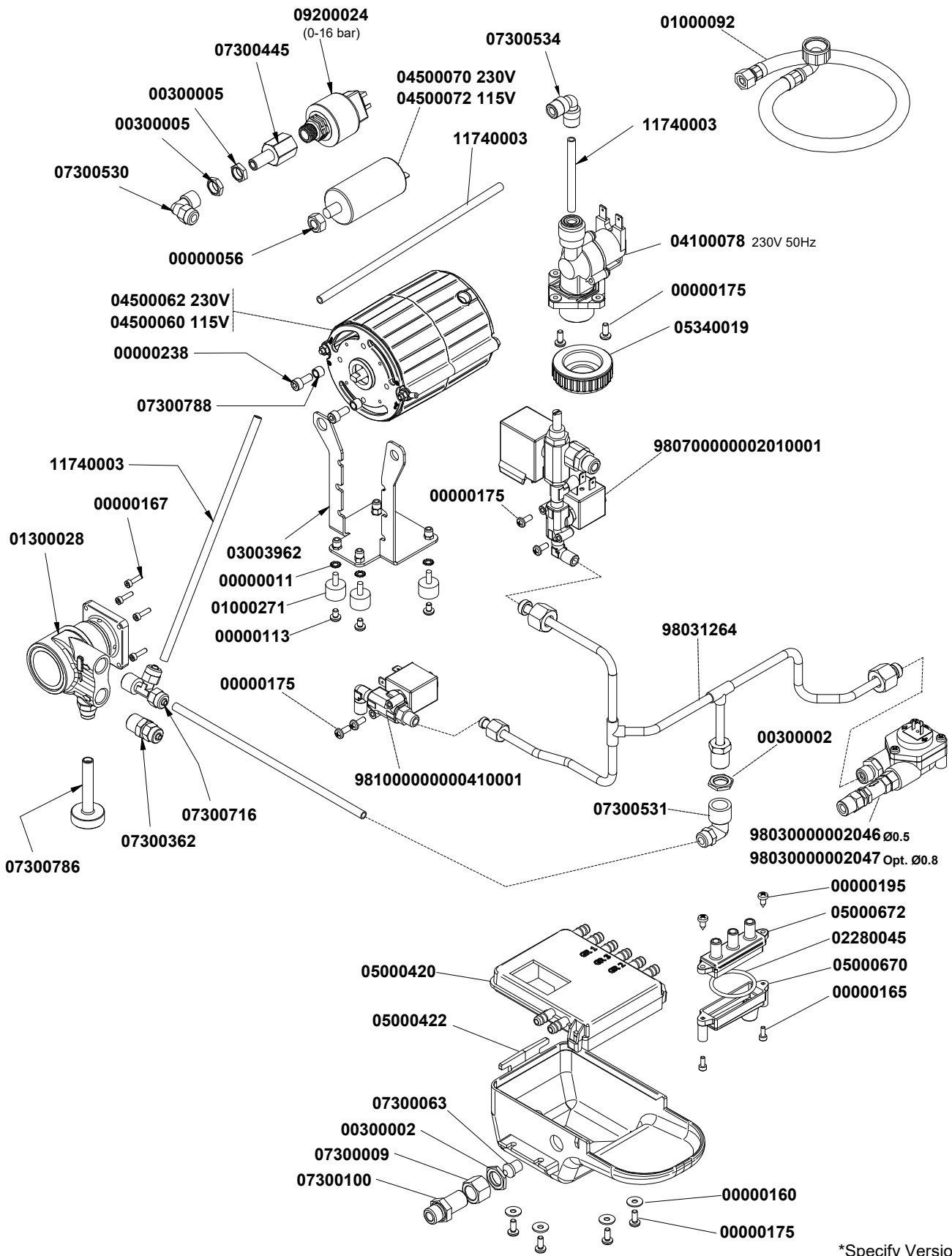
CODE	DESCRIPTION	DESCRIZIONE
04901296	EXT CAB. SEN. FIL.	PROL. SENS PORT.



KRFPB001  
only for claim use cod:  
03000420

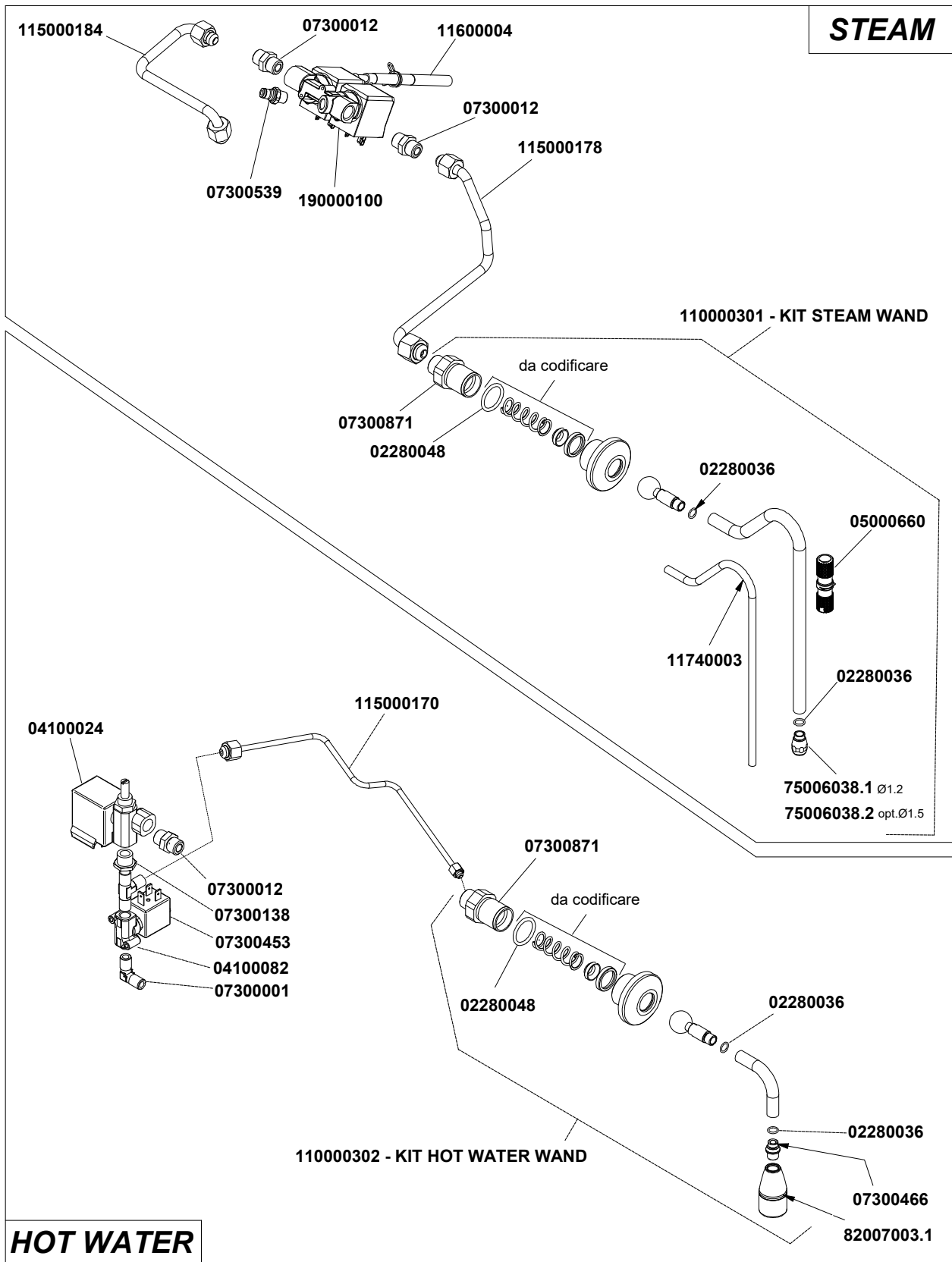
\*Specify Version

COD.	DESCRIPTION	DESCRIZIONE	VAL.
00000113	S/S CROS SHEAD CAP SCREW M4x6 7985	VITE INOX M4x6 TC TCR 7985	
00000168	S/S HEXAGON SOCKET HEAD SCREW M6x35 UNI 5931	VITE INOX M6x35 TCEI 5931	
00000175	S/S CROSS HEAD CAP SCREW M4X10	VITE INOX M4x10 TC TCR	
00000197	S/S HEX SOCKET CAP SCREW M6x8 ISO 4762	VITE INOX M6x8 TCEI ISO 4762	
00300021	S/S SLT COUNTERSUNK SCREW M6X18 DIN963	VITE INOX M6x18 TSP TC DIN963	
R00300021	KIT-S/S SLT COUNTERSUNK SCREW M6X18 - 30Pcs	KIT-VITE INOX M6x18 - 30Pz	
00300024	S/S GRUB SCREW M4X16 5923	GRANO INOX M4x16 5923	
02280032	GASKET O RING 114 D15 EP 851	GUARN. OR 114 D.15 EP 851	
R02280032	KIT-GASKET O RING 114 D15 EP - 25Pcs	KIT-GUARN. OR 114 D.15 EP - 25Pz	
02280033	GASKET O RING 75,92x1,78 NBR XP70	GUARN. OR 75,92x1,78 NBR XP70 2300	
R02280033	KIT-GASKET O RING 75,92x1,78 NBR - 20Pcs	KIT-GUARN. OR 75,92x1,78 NBR - 20Pz	
03000066.R	S/S SHOWER REINFORCED	DOCCIA INOX RINFORZATA Aisi304	
R03000066.R	KIT-S/S SHOWER REINFORCED - 4Pcs	KIT-DOCCIA INOX RINFORZATA Aisi304 - 4Pz	
03000072	FILTER ONE COFFEE HIGH 7gr	FILTRO 1 CAFFE' ALTO 7gr.	
R03000072	KIT-FILTER ONE COFFEE HIGH 7gr - 3Pcs	KIT-FILTRO 1 CAFFE' ALTO 7gr. - 3Pz	
03000073	FILTER TWO COFFEE HIGH 14gr	FILTRO 2 CAFFE' ALTO 14gr.	
R03000073	KIT-FILTER TWO COFFEE HIGH 14gr - 3Pcs	KIT-FILTRO 2 CAFFE' ALTO 14gr. - 3Pz	
03000107	BLIND FILTER	FILTRO CIECO	
R03000107	KIT-BLIND FILTER - 8Pcs	KIT-FILTRO CIECO - 8Pz	
03000460	COFFEE FILTER 20GR (RIDGELESS)	FILTRO CAFFE' 20gr (RIDGELESS)	
03000461	COFFEE FILTER 18GR (RIDGELESS)	FILTRO CAFFE' 18gr (RIDGELESS)	
04000198	FOIL HOLDER M 6.3 D 4.2 45°	PRESA LAMELLARE M 6.3 d4.2 45°	
04900991	GROUP TEMPERATURE PROBE PT1000 AURELIAII TFT	SONDA TEMPERATURA PT1000 GR. AURELIA II "DISPLAY A	
R04900991	KIT-GROUP TEMPERATURE PROBE PT1000 - 1Pcs	KIT-SONDA TEMPERATURA PT1000 - 1Pz	
04901296	EXT CABLE INDUCTIVE SENSOR PORTAFILTER AURELIA1	PROLUNGA SENSORE INDUTTIVO "PRESENZA PORTAFILTRI	
06200081.2	GR RING OR CHRME OT-58 - P.FILTER SENSOR EAGLE ON	ANELLO GRUPPO +SEDE OR CROMATO OT-58 PER SENSO	
07300183.I	GROUP DIFFUSER h=3 S/S Aisi316	PADIGLIONE GRUPPO h=3 INOX Aisi316	
07300864	FITTING 1/4M 1/8M + THREADED M6 Aisi316 + ORING POSI	RACCORDO 1/4M-1/8M + SEDE OR + FILETT.M6 INOX Aisi316	
08000017	S/S FILTER LOCKING SPRING	MOLLA BLOCCA FILTRO ACC.INOX	
R08000017	KIT-S/S FILTER LOCKING SPRING - 15Pcs	KIT-MOLLA BLOCCA FILTRO ACC.INOX - 15Pz	
180000106	BREWING GROUP-FRAME INSULATION KIT	KIT ISOLANTE GRUPPO EROGAZ.-TELAIO MAYLAR	
98011002	ANODISED COFFEE TAMPER BRILLIANT WHITE VA 2009	PRESSA CAFFE' ANOD.ARGENTO V.A. '09	
980500128	SLOPED PORTAFILTER + HANDLE VA	CORPO PORTAFILTRO NAKED + MANOPOLA V.A.	
98050091.VA	S/S 1 WAY PORTAFILTER VA HANDLE W/OUT FILTER	CORPO PORTAFILTRO INOX 1 VIA BLOCC.+ MANOPOLA V.A	
98050092.VA	S/S 2 WAYS PORTAFILTER VA HANDLE W/OUT FILTER	CORPO PORTAFILTRO INOX 2 VIE BLOCC.+ MANOPOLA V.A	
98160000002090	PORTAFILTER PRESENCE SENSOR AURELIA18 W/CONNE	SENSORE PRESENZA PORTAFILTRO AURELIA18 COMPL. D	
98260000000950	REPLACEMENT KIT FOR FILTER HOLDER SENSOR + EXTE	KIT RICAMBIO SENSORE PRESENZA PORTAFILTRO+PROL	
KPFCP003		PORTAFILTRO INCLIN.COMP. PURE BREW V.A.MANOPOLA	
KRFPB001	PB FILTER 20G	FILTRO CONO PURE BREW	
KRIC0001	6pc PK LONGLIFE CONICA GASKET SHEATH AURELIA-VA3	CONFEZIONE 6pz. GUARNIZIONE SOTTOCOPPA CONICA LC	



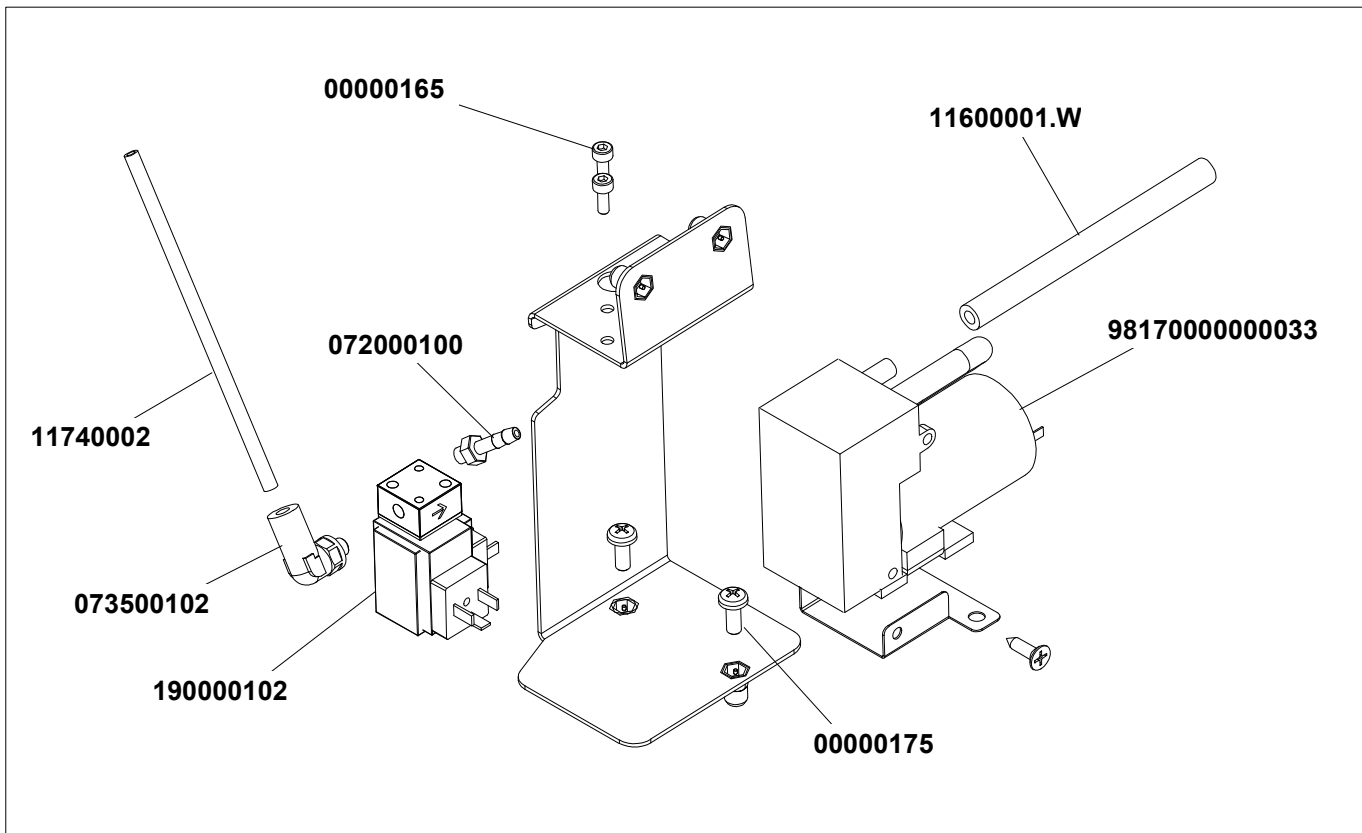
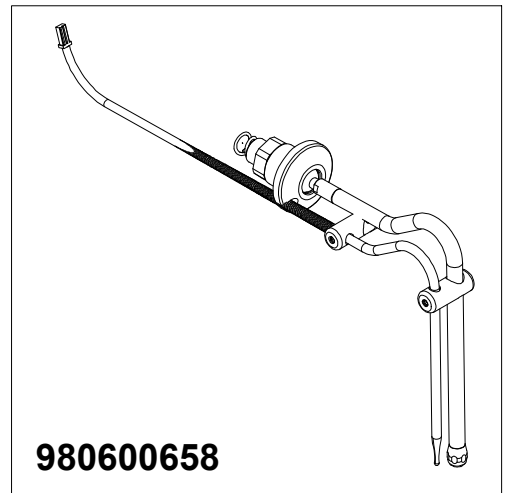
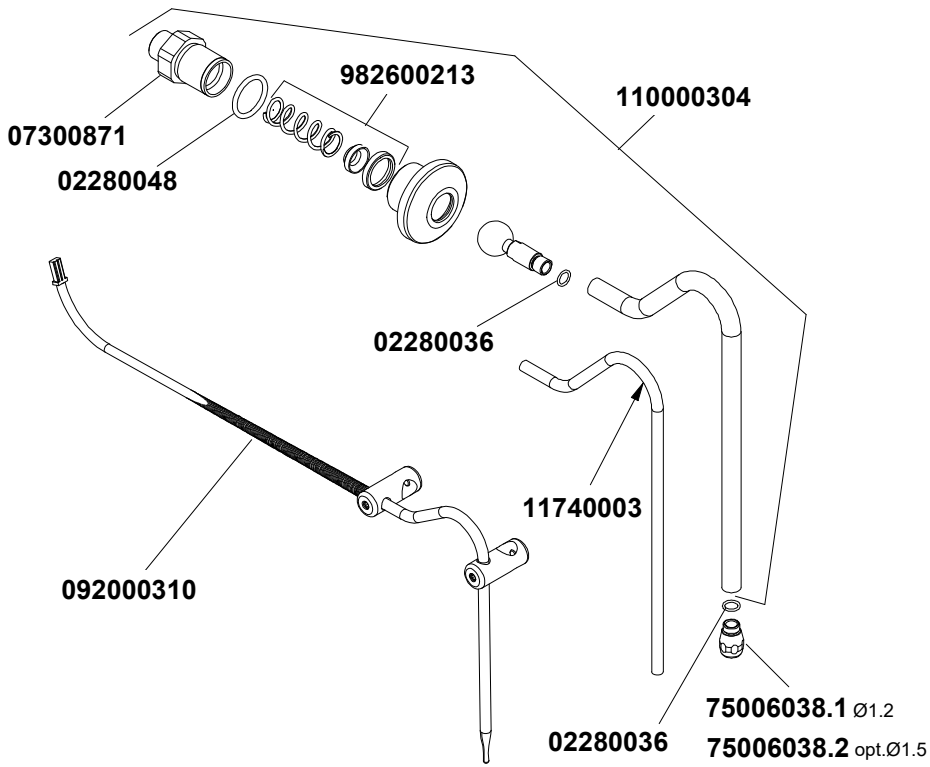
\*Specify Version

COD.	DESCRIPTION	DESCRIZIONE	VAL.
00000011	S/S KNURLED WASHER M4 UNI8842/A	RONDELLA INOX M4 ZIGRINATA UNI8842/A	
00000056	GALV HIGH NUT AQ M8	DADO AQ M8 ALTO ZINCATO	
00000113	S/S CROS SHEAD CAP SCREW M4x6 7985	VITE INOX M4x6 TC TCR 7985	
00000160	S/S WASHER D4X12 UNI 6593	RONDELLA INOX D4x12x1 UNI 6593	
00000165	S/S SCREW M3x8 TCEI ISO 4762	VITE INOX M3x8 TCEI ISO 4762	
00000167	S/S SCREW M3x12 TCEI ISO 4762	VITE INOX M3x12 TCEI ISO 4762	
00000175	S/S CROSS HEAD CAP SCREW M4X10	VITE INOX M4x10 TC TCR	
00000195	S/S SELF TAPPING SCREW 3,9X9,5 TC/TCR	VITE AUTOF INOX 3,9x9,5 TC TCR	
00000238	S/S SCREW M5X12 TCEI	VITE INOX M5x12 TCEI	
00300002	BRASS NUT 1/4 D3 CH18	DADO OT 1/4 SPESS.3 CH18 AGG. 22.07.96	
R00300002	KIT-BRASS NUT 1/4 D3 - 15Pcs	KIT-DADO OT 1/4 SPESS.3 - 15Pz	
00300005	BRASS NUT 1/8 GAS D4 ADD 22.07.96 CH13	DADO OT 1/8 GAS AGG.22.07.96 SPESS.4 CH13	
01000092	3/8F-3/4F90D WATER CHARGE PIPE 1,5mt + FILTER	TUBO CARICO ACQUA 1,5 mt EPDM 3/8F OTT - 3/4F 9GHIER	
R01000092	KIT-3/8F-3/4F90D WATER CHARGE PIPE 1,5mt+ FILTER-1P	KIT -TUBO CARICO ACQUA 1,5 MT EPDM 3/8F OTT3/4F 9 ** /	
01000271	ANTI-VIBRATING AD 15x10x10 M4 M/F	ANTIVIBRANTE AD 15xH10xL10 M4 M/F	
01300028	PUMP GA072	POMPANTE X POMPA ELETTROMECC. ACCIAIOGA072 70 LT	
02280045	GASKET O RING 29,82x2,62 EPDM	GUARN. OR 29,82x2,62 EPDM	
03003962	PUMP SUPPORT BRACKET	STAFFA SUPPORTO POMPA EAGLE ONE 1GR	
04100078	SOLENOID NC 2WAY 3/4-JG 6 STRAIGHT REGUL.+FILTR F	E.V. NC 2VIE 3/4-JG 6 DIRITTA REGOL+FILTR F.2,5230V 50/6	
04500060	MOTOR 115V	MOTORE ELETTRICO 115V (x POMPA ELETTROMECC. GA072)	
04500062	ELECTRICAL ENGINE 230V (ELECTROMECC. PUMP GA072)	MOTORE ELETTRICO 230V (x POMPA ELETTROMECC. GA072)	
04500070	CAPACITOR 6,3 mF 450V FASTON 6,3	CONDENSATORE 6,3 mF 450V FASTON 6,3 CON CODOLOM	
04500072	CAPACITOR 25 mF 250V FASTON 6,3	CONDENSATORE 25 mF 250V FASTON 6,3 CON CODOLOM	
05000420	TRAY PLUG UNDER PLATE VA388	TAPPO VASCHETTA SOTTO PIATTO VA388**AD ESAURIME	
05000422	DRIP TRAY UNDER PLATED VA388	VASCHETTA SOTTO PIATTO VA388	
05000670	LOWER EXHAUST MANIFOLD	COLLETTORE SCARICO INF. EAGLE ONE 1GR.	
05000672	UPPER EXHAUST MANIFOLD	COLLETTORE SCARICO SUP. EAGLE ONE 1GR.	
05340019	BLACK TAP 3/4 W/ GASKET	TAPPO PL. 3/4 CON GUARNIZIONE	
07300009	NUT FITTING 1/4 GAS	DADO RACCORDO 1/4 GAS	
07300063	CLOSED TERMINAL D11	TERMINALE CHIUSO D.11 OT-58	
07300100	DISCHARGE ATTACHMENT 1/4 1/4 OT-57 USA	ATTACCO SCAR. 1/4-1/4 OT-57 USA	
07300362	STRAIGHT FITTING 1/4 M-FITTINGS.6 340	RACCORDO DIR. 1/4 M-CALZ.6 340	
07300445	FITTING 1/8M L = 20 1/4F for SENSOR	RACCORDO 1/8M L=20 1/4F x SENSORE	
07300530	FITTING L 1/8 F A CALZ. 347 6	RACCORDO L 1/8 F A CALZ. 347 6	
07300531	FITTING L 1/4 F 347	RACCORDO L 1/4 F CALZAM. 347	
07300534	RAPID FITTING L D6 - D6	RACCORDO RAPIDO L D6 - D6	
07300716	T FITTING 1/4 M -FITTINGS.6 -FITTINGS.6	RACCORDO T 1/4 M -CALZAM.6 - CALZAM.6	
07300786	PUMPING REGISTER KNOB	POMELLO REGISTRO POMPANTE EAGLE ONE 1GR	
07300788	STAINLESS STEEL BUSH 7,5x5,1 H5mm	BOCCOLA INOX 7,5x5,1 H5mm	
09200024	PRESSURE TRANSDUCER 0-16 BAR 1/4	TRASDUTTORE DI PRESSIONE 0-16 BAR 1/4	
R09200024	KIT-PRESSURE TRANSDUCER 0-16 BAR 1/4-1Pcs	KIT -TRASDUTTORE DI PRESSIONE 0-16 BAR 1/4-1PZ	
11740003	CALIBRATED TEFLON PIPE 6/4	TUBO TEFLON NSF 6/4 CALIBRATO1 matassa = 50mt	
98030000002046	FLOWMETER T3 EXTERNAL GIGLER 0,5 SET	ASSIEME DOSATORE (GICAR) T3 "GIGLER ESTERNO F.0,5"	
98030000002047	FLOWMETER T3 EXTERNAL GIGLER 0,8 SET	ASSIEME DOSATORE (GICAR) T3 "GIGLER ESTERNO F.0,8"	
98031264	COLD WATER CROSSPIECE	CROCIERA ACQUA FREDDA EAGLE ONE 1GR.	
98100000000410001		ASS. AUTOLIVELLO EAGLE ONE 1GR	



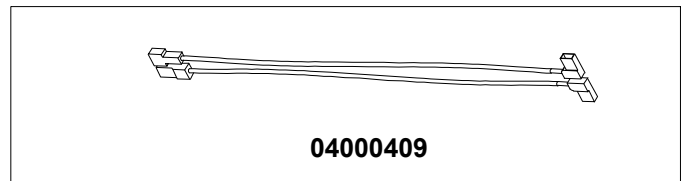
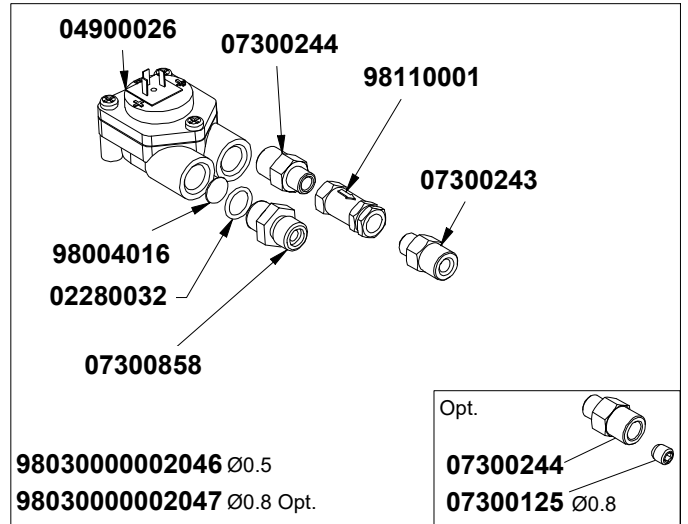
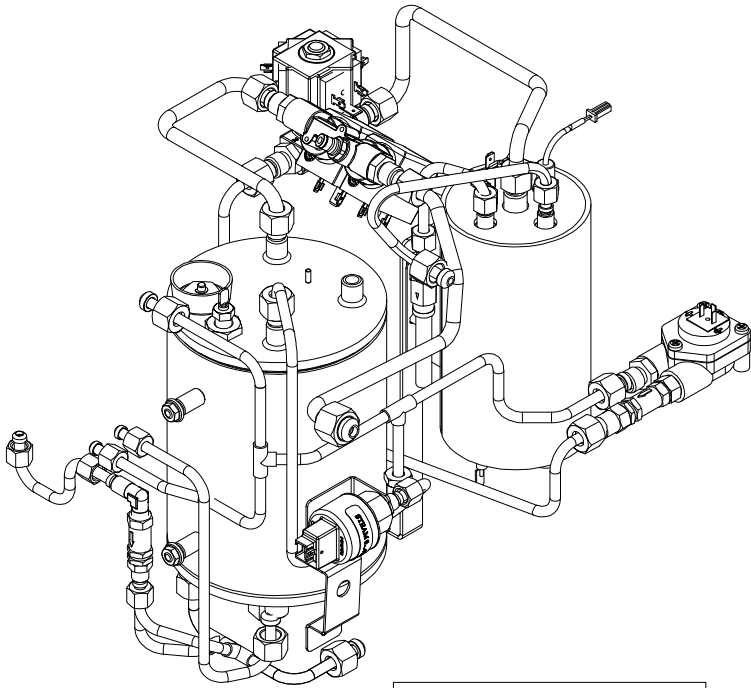
\*Specify Version

COD.	DESCRIPTION	DESCRIZIONE	VAL.
02280036	O RING FOR STEAM WAND NOZZLE D6x1.2 EPDM70 500 P	GUARN. OR x BECCO LANCIA VAP. DI 6x1.2 EPDM70(CONF.	
R02280036	KIT-O RING FOR STEAM WAND NOZZLE D6x1.2 EPDM - 65	KIT-GUARN. OR x BECCO LANCIA VAP. D. 6x1.2 EPDM- 65Pz	
02280048	O-RING GASKET 20,29X2,62 NBR	GUARN. OR 20,29x2,62 NBR	
04100024	2WAY SOLENOID 1/4 REGUL 90° 230V50/60Hz F3 CE	E.V. NC 2VIE 1/4 REGOLAT. 90° 230V 50/60Hz F.3 CE	
R04100024	KIT-3WAY SOLENOID 1/4 REGUL 90° 230V50/60Hz F3 CE -	KIT-E.V. NC 2VIE 1/4 REGOLAT. 90° 230V 50/60Hz F.3- 1Pz	
04100082	SOLENOID NC 2WAY 1/8-1/8 220-230V 50/60HZ VITON F1.2	E.V. NC 2VIE 1/8-1/8 220-230V 50/60Hz VITON F1.2	
05000660	RUBBER PROTECTION STEAM WAND D.10	GOMMINO PROTEZIONE LANCIA D.10 EAGLE ONE	
07300001	L FITTING 1/8 M-M 459	RACCORDO L 1/8 M-M(dimens. L 24 mm)	
07300012	FITTING 1/4 1/4M-1/4M Aisi316	RACCORDO 1/4M-1/4M + SEDE OR INOX Aisi316	
07300138	FITTING ADAPTER 1/4M-1/8F ES.17 AGG.29.05.96 OT-58	RIDUZIONE 1/4"M - 1/8"F ES.17 AGG. 29.05.96 OT-58	
07300453	T FITTING 1/8 M-M-M	RACCORDO T 1/8 M-M-M	
07300466	S/S THREADED CONNECTION FOR STEAMWAND PROGR	RACCORDO FILET. INOX x LANCIA VAPORE MAC/PROGRAM	
07300539	RAPID FITTING 1/8 STRAIGHT D4	RACCORDO RAPIDO 1/8 DIRITTO D4	
07300871	JUNCTION 3/8 STEAM-WATER WAND WER	RACC. 3/8 LANCIA SNODATA VAPORE-ACQUA "MOLLA RINF	
110000301	STEAM WAND SET D.10	KIT LANCIA VAPORE D.10 E1 PRO	
110000302	HOT WATER WAND SET	KIT LANCIA ACQUA CALDA E1 PRO	
115000170	PIPE - HOT WATER WAND	TUBO LANCIA ACQUA CALDA E1 PRO	
115000178	PIPE - STEAM SOLENOID / STEAM WAND	TUBO E.V. VAPORE - LANCIA VAPORE E1 PRO	
115000184	PIPE - STEAM BOILER / STEAM SOLENOID	TUBO CALDAIA - E.V. VAPORE E1 PRO	
11600004	SILICONE PIPE 5x9 60Sh PEROX WHITE SEMITRASPAREN	TUBO SILICONE 5x9 70Sh PEROX TRASPARENTE(1mt=50gr)	
11740003	CALIBRATED TEFLON PIPE 6/4	TUBO TEFLON NSF 6/4 CALIBRATO1 matassa = 50mt	
190000100	DOUBLE SOLENOID NC 2WAYS+3WAYS 230V 50-60Hz	E.V. DOPPIA NC 2VIE + 3VIE 230V 50-60HzF.EV1 1,8 - F.EV2	
75006038.1	STEAM NOOZLE M8,65X0,75 F1,2 ESAG.12	BECCO VAPORE M8,65x0,75 F. 1,2 ESAG.12	
75006038.2	STEAM NOZZLE M8,65x0,75 F. 1,5 ESAG.12	BECCO VAPORE M8,65x0,75 F. 1,5 ESAG.12	
82007003.1	HOTWATER DIFFUSER D23,5 F1/8 WITH S/S AERATOR	ROMPIGETTO ACQUA CALDA D.23,5 F 1/8" CON AERATORE	
R82007003.1	KIT-HOTWATER DIFFUSER D23,5 F1/8 WITH S/S AERATOR	KIT-ROMPIGETTO ACQUA CALDA D.23,5 F 1/8" CON AERAT-	

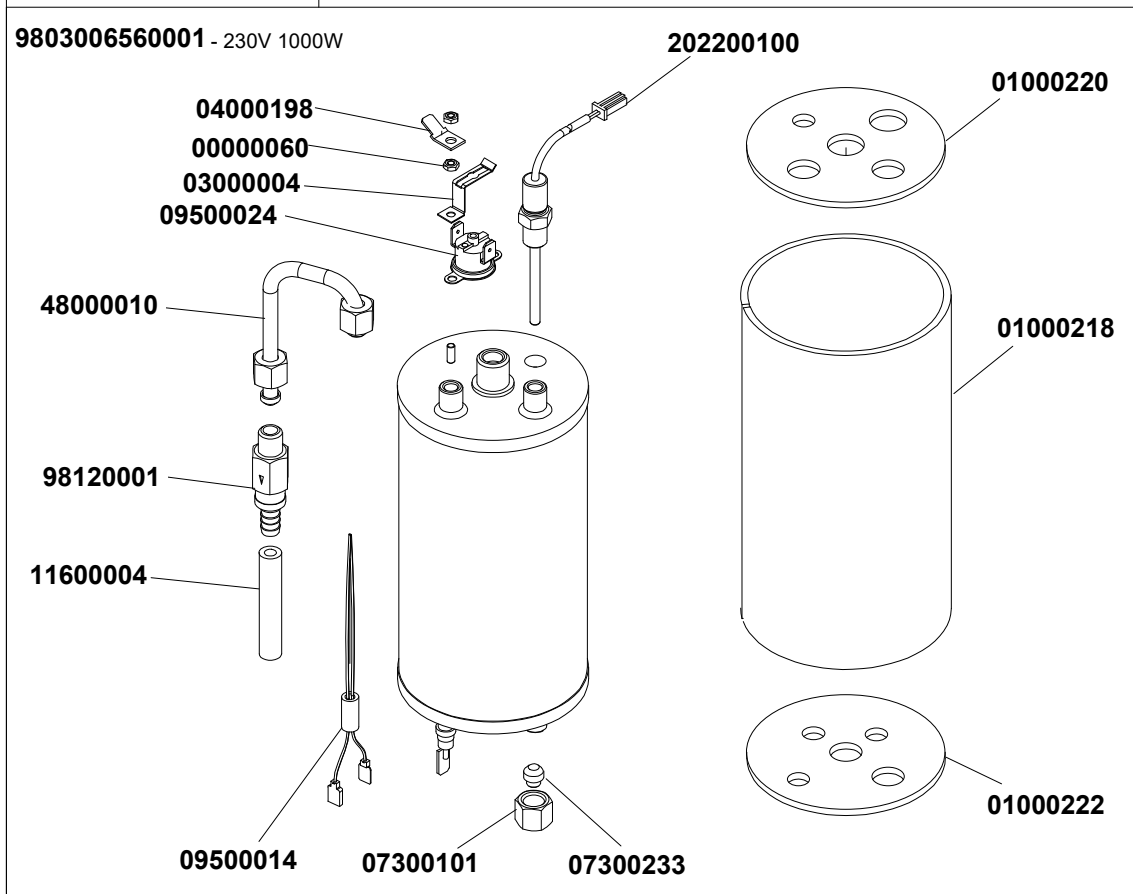
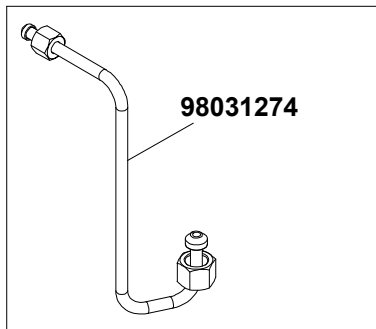
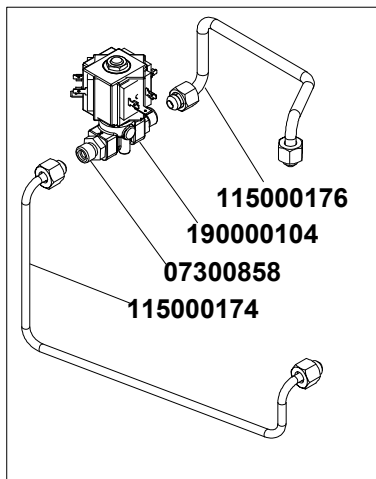


\*Specify Version

COD.	DESCRIPTION	DESCRIZIONE	VAL.
00000165	S/S SCREW M3x8 TCEI ISO 4762	VITE INOX M3x8 TCEI ISO 4762	
00000175	S/S CROSS HEAD CAP SCREW M4X10	VITE INOX M4x10 TC TCR	
02280036	O RING FOR STEAM WAND NOZZLE D6x1.2 EPDM70 500 P	GUARN. OR x BECCO LANCIA VAP. DI 6x1.2 EPDM70(CONF.	
R02280036	KIT-O RING FOR STEAM WAND NOZZLE D6x1.2 EPDM - 65	KIT-GUARN. OR x BECCO LANCIA VAP. D. 6x1.2 EPDM- 65Pz	
02280048	O-RING GASKET 20,29X2,62 NBR	GUARN. OR 20,29x2,62 NBR	
072000100	RUBBER CLAMP M5 M5 L GIR. D4	PORTAGOMMA M5 DIRITTO	
07300871	JUNCTION 3/8 STEAM-WATER WAND WER	RACC. 3/8 LANCIA SNODATA VAPORE-ACQUA "MOLLA RINF	
073500102	RAPID FITTING	RACCORDO RAPIDO M5 L GIR. D4	
092000310		SONDA PT1000 x LANCIA VAPORE E1 PRO+2 SUPP.	
110000304	EASY CREAM WAND SET	KIT LANCIA VAPORE "EASY CREAM" E1 PRO	
11600001.W	WHITE SILICONE PIPE 4x7,5 60Sh(1mt=41gr) PLATINICO SE	TUBO SILICONE BIANCO4x7,5 60Sh(1mt=41gr) PLATINICO SE	
11740002	CALIBRATED TEFLON PIPE 4/2,5 TRASPARENT (ROLLS OF	TUBO TEFLON 4/2,5 CALIBRATO TRASPARENTE (ROTOLI D	
11740003	CALIBRATED TEFLON PIPE 6/4	TUBO TEFLON NSF 6/4 CALIBRATO1 matassa = 50mt	
190000102	2 WAYS SOLENOID AIR PROPORTIONAL	E.V. NC 2VIE 24V CC PROPORZIONALE ARIAMICROEV. 0,8	
75006038.1	STEAM NOOZLE M8,65X0,75 F1,2 ESAG.12	BECCO VAPORE M8,65x0,75 F. 1,2 ESAG.12	
75006038.2	STEAM NOZZLE M8,65x0,75 F. 1,5 ESAG.12	BECCO VAPORE M8,65x0,75 F. 1,5 ESAG.12	
980600658		ASS. ATTACCO + LANCIA EASY CREAM CON SONDA E1 PR	
98170000000033	MICROCOMPRESSOR + SUPPORT SET TALENTO	ASS. SUPPORTO + MICROCOMPRESSORE ARIA	
982600213	WAND KIT WER (OR-COMPASS-SPRING)	KIT RICAMBIO LANCIA WER "MOLLA RINF." (OR-BUSSOLA-M	
982600211	WAND KIT WER (OR-COMPASS-SPRING)	KIT RICAMBIO LANCIA EASY C. WER (OR-BUSSOLA-MOLLA	



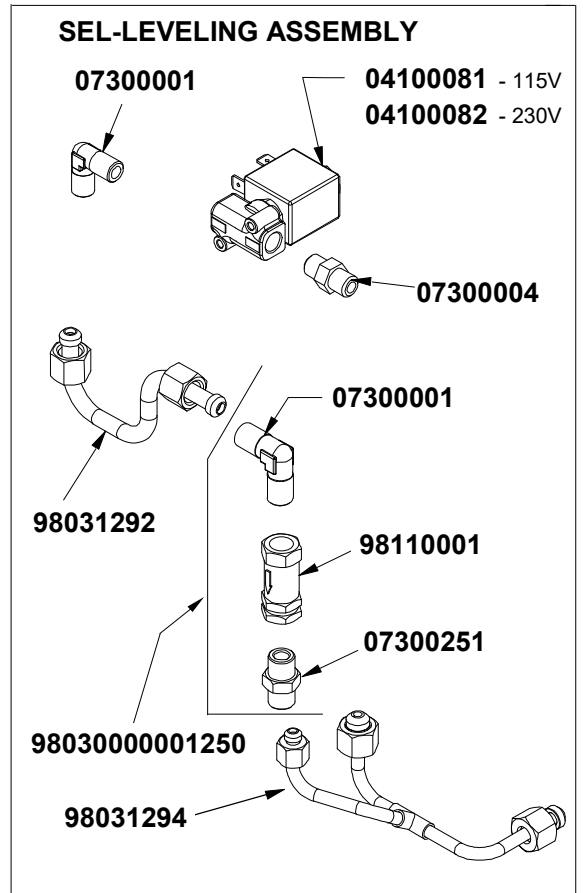
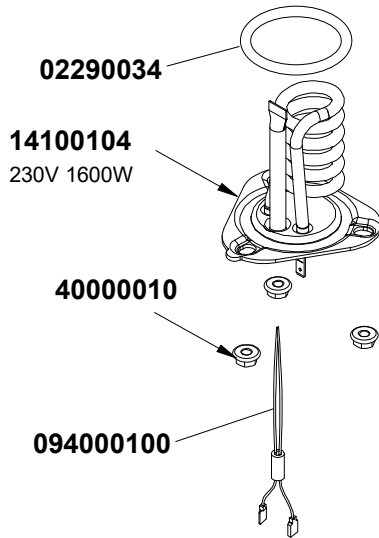
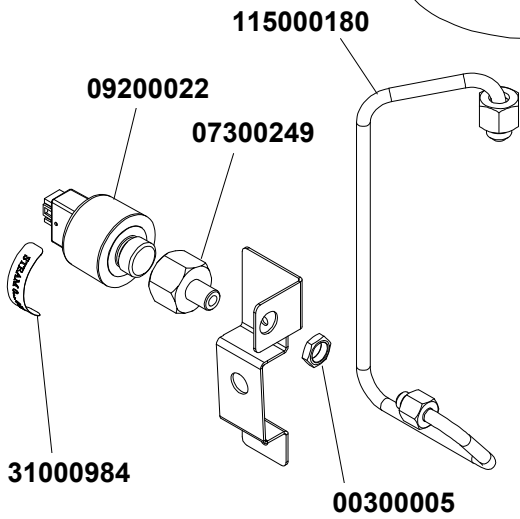
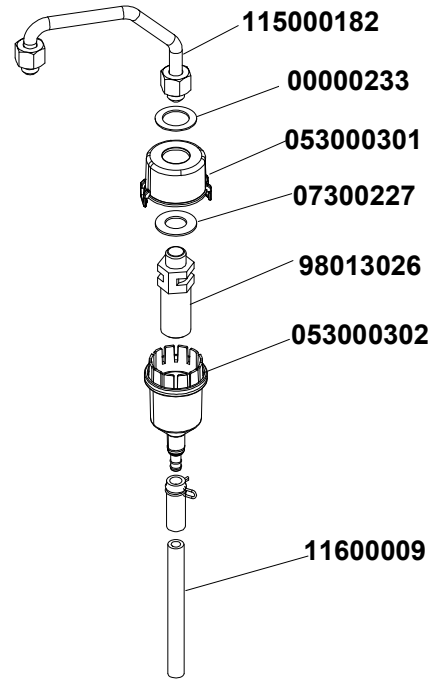
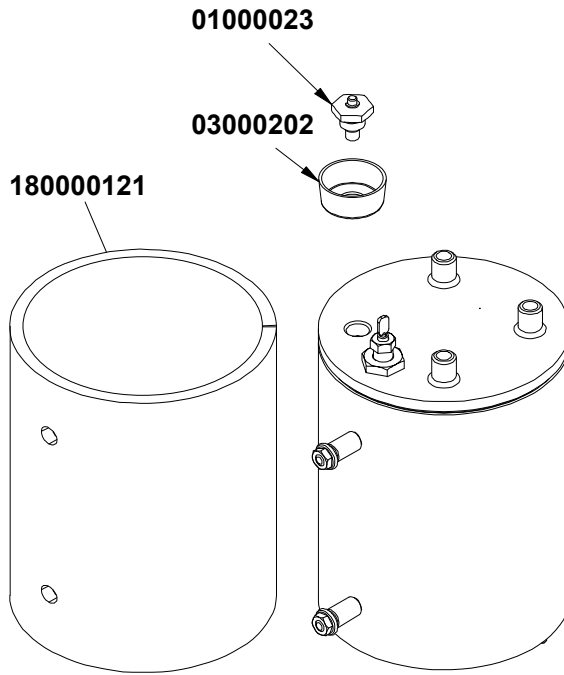
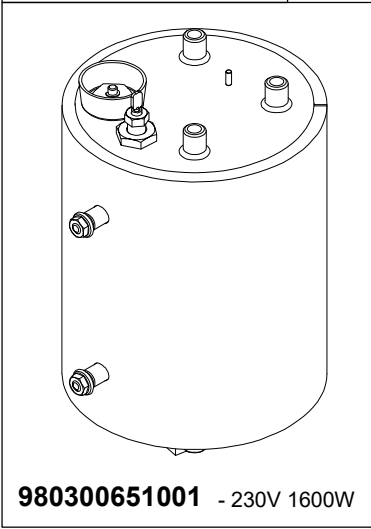
### COFFEE BOILER



\*Specify Version

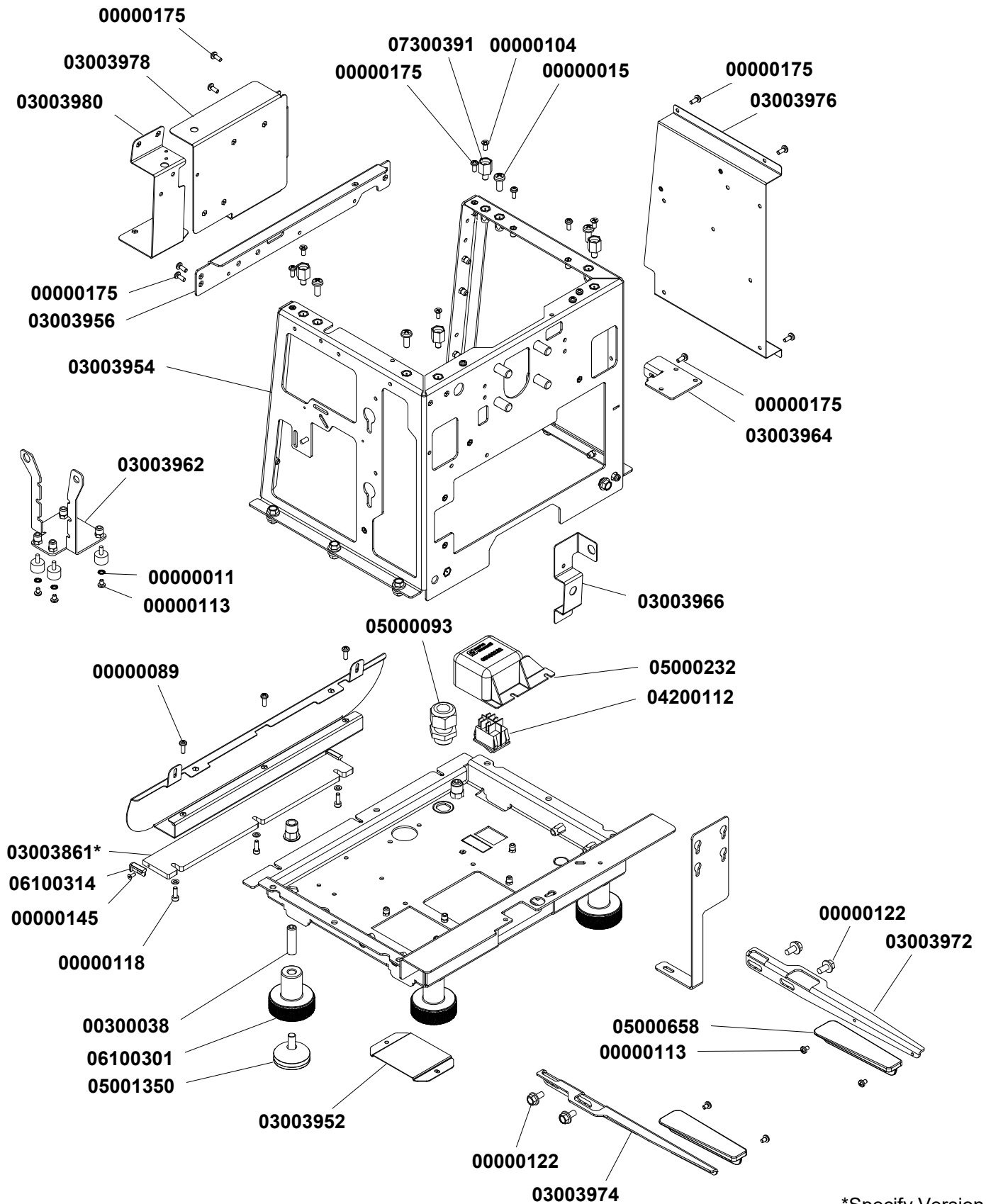
COD.	DESCRIPTION	DESCRIZIONE	VAL.
00000060	GALV MEDIUM NUT AQ M3	DADO AQ M3 MEDIO ZINCATO	
01000218	BOILER INSULATION D80 115x252,7	ISOLANTE CALDAIA D80 155x252,7	
R01000218	KIT-BOILER INSULATION D80 115x252,7 - 3Pcs	KIT-ISOLANTE CALDAIA D80 155x252,7 - 3Pz	
01000220	BOILER INSULATION SUPERIOR D80	ISOLANTE SUPER. D.80 CALDAIA	
R01000220	KIT-BOILER INSULATION SUPERIOR D80 - 8Pcs	KIT-ISOLANTE SUPER. D.80 CALDAIA - 8Pz	
01000222	BOILER INSULATION INFERIOR D80	ISOLANTE INFER. D.80 CALDAIA	
02280032	GASKET O RING 114 D15 EP 851	GUARN. OR 114 D.15 EP 851	
R02280032	KIT-GASKET O RING 114 D15 EP - 25Pcs	KIT-GUARN. OR 114 D.15 EP - 25Pz	
03000004	SINGLE BRACKET FOR THERMOSTAT	STAFFA SINGOLA x TERMOSTATO	
04000198	FOIL HOLDER M 6.3 D 4.2 45°	PRESA LAMELLARE M 6.3 d4.2 45°	
04000409	SAFETY THRST MAIN BOILER WIRING AURELIA II T3CSA	CABLAGGIO TERMOSTATO CALDAIA CAFFE' AURELIA II T3C	
04900026	BRASS FLOWMETER 1/4-1/4GAS -ATT. HEAD 2,8x0,5F 1,2 "	DOSATORE VOLUMETRICO OTT. 1/4-1/4GAS -ATT. TEST.2,8	
R04900026	KIT BRASS FLOWMETER 1/4-1/4GAS -ATT. HEAD 2,8x0,5	KIT DOSATORE VOLUMETRICO OTT. 1/4-1/4GAS2,8x0,5FOR	
07300101	FITTING NUT 1/8 GAS	DADO RACCORDO 1/8 GAS	
07300125	GIGLEUR M8x8 F.0,8 OT-57 +TEA	GIGLER M8x8 F.0,8 OT-57 +TEA	
R07300125	KIT-GIGLEUR M8x8 F.0,8 +TEA - 15Pcs	KIT-GIGLER M8x8 F.0,8 - 15Pz	
07300233	CLOSED TERMINAL D8	TERMINALE CHIUSO D.8	
07300243	FITTING 1/4M 1/8M GIGLER F.0,5	RACCORDO 1/4M-1/8M + SEDE OR + GIGLER F.0,5 INOXAisi3	
07300244	FITTING 1/4M 1/8M + THREADED M8 Aisi303	RACCORDO 1/4M-1/8M + SEDE OR + FILETT.M8 INOXAisi303	
07300858	FITTING 1/4M-1/4M OT-57 USA	RACCORDO 1/4M-1/4M OT-57 USA	
R07300858	KIT-FITTING 1/4M-1/4M - 15Pcs	KIT-RACCORDO 1/4M-1/4M - 15Pz	
09500014	HEATING ELEMENT THERMAL PROTECTION G5 167°C 16A	TERMOPROTETTORE x RESISTENZA G5 167°C 16A 250V UL	
R09500014	KIT-HEATING ELEMENT THERMAL PROTECTION - 2Pcs	KIT-TERMOPROTETTORE x RESISTENZA G5 167°C 16A 250	
09500024	MANUAL THERMOSTAT 135°C TRIP FREE GREEN DRIPPIN	TERMOSTATO R.MAN. 135°C TRIP FREE GOCCIOLATURAVE	
115000174	PIPE - SOLENOID PULSE JET / FLOWMETER	TUBO E.V. PULSE JET - DOSATORE E1 PRO	
115000176	PIPE - STEAM BOILER / SOLENOID PULSE JET	TUBO CALDAIA - E.V. PULSE JET E1 PRO	
11600004	SILICONE PIPE 5x9 60Sh PEROX WHITE SEMITRASPAREN	TUBO SILICONE 5x9 70Sh PEROX TRASPARENTE(1mt=50gr)	
190000104	SOL. VALVE 2 WAYS COIL BDV0823 PULSJET	E.V. NO 2VIE 1/4 230V PULSJET F2 CORPO OT-57	
202200100	TEMPERATURE PROBE 150 ATT.1/8 INOX 4x40 AMP MODU	SONDA TEMPERATURA 150 ATT.1/8 INOX 4x40 AMP MODUI	
48000010	DISPENSING TUBE VENUS 2-3 GR	TUBO EROGAZIONE GRUPPO	
98004016	S/S FILTER D12	FILTRO INOX DIAM. 12	
R98004016	KIT-S/S FILTER D12 - 25Pcs	KIT-FILTRO INOX DIAM. 12 - 25Pz	
98030000002046	FLOWMETER T3 EXTERNAL GIGLER 0,5 SET	ASSIEME DOSATORE (GICAR) T3 "GIGLER ESTERNO F.0,5"	
98030000002047	FLOWMETER T3 EXTERNAL GIGLER 0,8 SET	ASSIEME DOSATORE (GICAR) T3 "GIGLER ESTERNO F.0,8"	
980300656001	COFFEE BOILER SET	ASS. CALDAIA CAFFE' E1 PRO	
98031274	PIPE - STEAMBOILER / HOT WATER SOLENOID VALVE	TUBO CALDAIA - E.V. ACQUA CALDA EAGLE ONE 1GR.	
98110001	RETURN VALVE 1/8 F-FOT-58	VALVOLA RITEGNO COMPL. 1/8 F-F OT-58	
R98110001	KIT-RETURN VALVE 1/8 F-F - 3Pcs	KIT-VALVOLA RITEGNO COMPL. 1/8 F-F - 3Pz	
98120001	NEPLAX VITON 16,5 BAR VALVE 1/8 HOSE CLAMP	VALVOLA NEPLAX VITON 16,5 BAR 1/8 - PORTAGOMMA	
R98120001	KIT-NEPLAX VITON 16,5 BAR VALVE 1/8 HOSE CLAMP - 2P	KIT-VALVOLA NEPLAX VITON 16,5 BAR 1/8 - PORTAGOMMA	

### STEAM BOILER



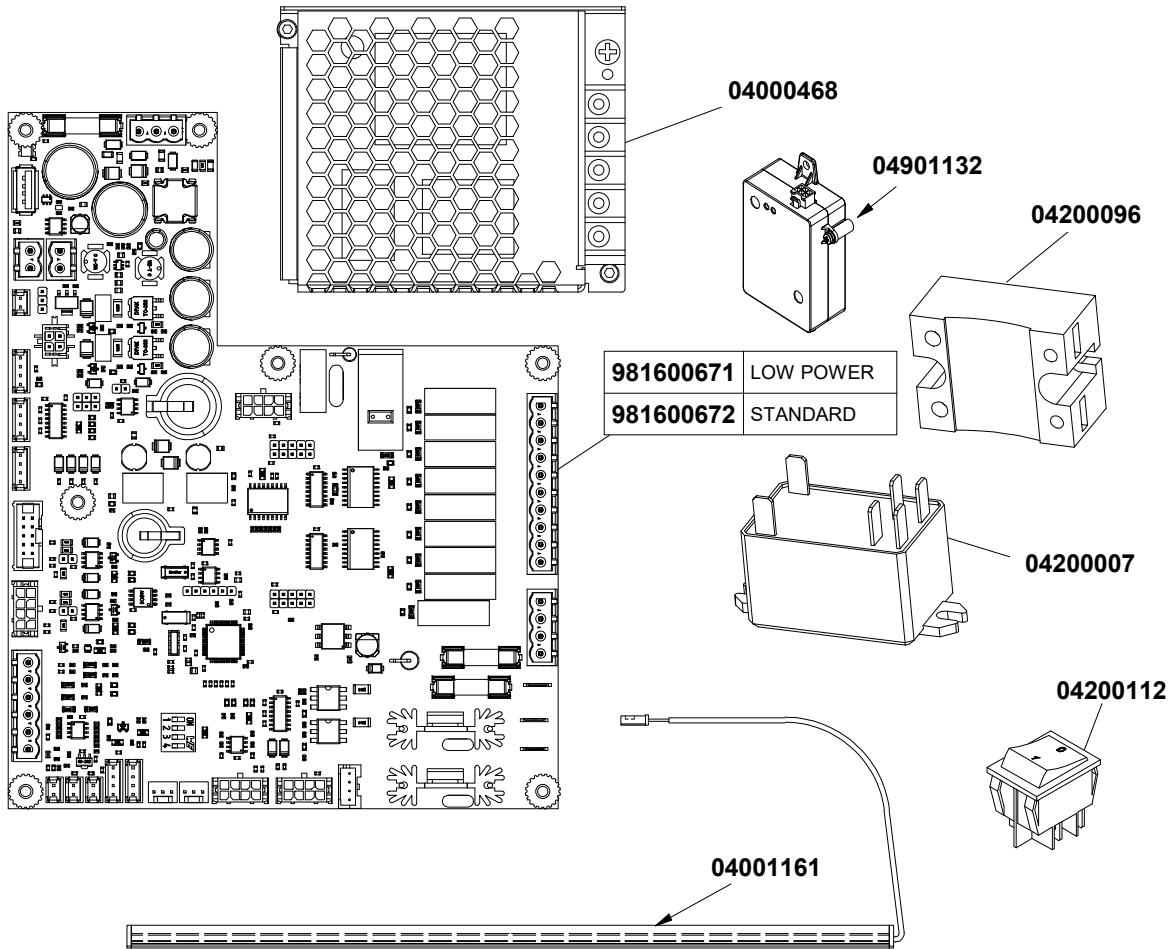
\*Specify Version

COD.	DESCRIPTION	DESCRIZIONE	VAL.
00000233	GALV WASHER M16 17x26x1	RONDELLA AQ M16 17x26x1 ZINC.	
00300005	BRASS NUT 1/8 GAS D4 ADD 22.07.96 CH13	DADO OT 1/8 GAS AGG.22.07.96 SPESS.4 CH13	
01000023	ANTI VACUUM VALVE	VALVOLINA SFIATO	
R01000023	KIT-ANTI VACUUM VALVE - 3Pcs	KIT-VALVOLINA SFIATO - 3Pz	
02290034	GASKET O RING 6187 D47x5,34 VITON FDA	GUARN. OR 6187 D.47x5,34 VITON FDA	
03000202	CONDENSATION TRAY MASTER	VASCETTA RACCOGLI CONDENSA AGG. 07.06.97	
04100081	SOL. VALVE 2 WAYS 1/8-1/8 100/120V 50/60HZ	E.V. NC 2VIE 1/8-1/8 100/120V 50/60Hz VITON F1.2UL-CSA NS	
04100082	SOLENOID NC 2WAY 1/8-1/8 220-230V 50/60HZ VITON F1.2	E.V. NC 2VIE 1/8-1/8 220-230V 50/60Hz VITON F1.2	
053000301	SAFETY VALVE COVER BODY	CORPO COPRI VALVOLA SICUREZZA	
053000302	SAFETY VALVE COVER CLOSURE	CHIUSURA COPRI VALVOLA SICUREZZAPER TUBO D.8	
07300001	L FITTING 1/8 M-M 459	RACCORDO L 1/8 M-M(dimens. L 24 mm)	
07300004	FITTING 1/8-1/8 DIRECT GAS	RACCORDO 1/8-1/8 GAS DIRITTO	
07300227	BRASS WASHER D.26X13,5X1,5 ADD.5.06.03	RONDELLA OT D.26x13,5x1,5 AGG.5.06.03	
07300249	FITTING 1/8M L = 12 3/8F	RACCORDO 1/8M L=12 3/8F	
07300251	FITTING 1/8 M-M HOLE 5,5 + THREADED M6 x L=11	RACCORDO 1/8 M-M FORO 5,5 + FILETT. M6 x L.=11	
09200022	PRESSURE TRANSDUCER 0-4 BAR 3/8	TRASDUTTORE DI PRESSIONE 0-4 BAR 3/8	
094000100	HEATING ELEMENT THERMAL PROTECTION 216°C E5 MICR	TERMOPROTETTORE X RESIST. E5 216°C MICR 2 GUAINA(F	
115000180	PIPE - PRESSURE SENSOR	TUBO SENSORE PRESSIONE E1 PRO	
14100104	S/S RESISTANCE FLANGE 1600W 230V - NEUTRAL COLOU	RESISTENZA FLANGIA INOX 1600W 230V - COLORE NEUTR	
180000121	COFFEE BOILER INSULATOR	ISOLANTE CALDAIA VAPORE E1 PRO	
40000010	NUT M6 W/ WELDED GALV WASHER	DADO AQ M6 RONDELLA SALDATA ZINCATO	
98013026	SAFETY VALVE C10 3 BAR 3/8 VITON 97/23/CE	VALVOLA SICUREZZA D7-S 3 BAR 1/4" VITON 97/23/CECAT.	
98030000001250	RETAINING VALVE + AUTOLEVEL FITTINGS KIT	ASS. VALVOLA RITEGNO+RACCORDI AUTOLIVELLO E1 PRI	
980300651001		ASS. CALDAIA VAPORE E1 PRO	
98031292	RETAINING VALVE TUBE - LEVEL E.V. E1 PRIMA	TUBO VALVOLA RITEGNO - E.V. LIVELLO E1 PRIMA	
98031294	RETAINING VALVE TUBE - BOILER E1 PRIMA	TUBO VALVOLA RITEGNO - CALDAIA E1 PRIMA	
98110001	RETURN VALVE 1/8 F-FOT-58	VALVOLA RITEGNO COMPL. 1/8 F-F OT-58	

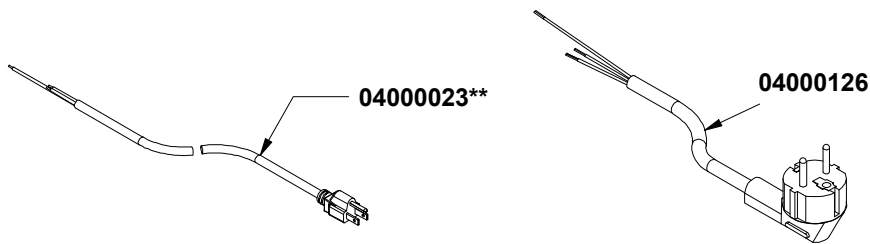


\*Specify Version

COD.	DESCRIPTION	DESCRIZIONE	VAL.
00000011	S/S KNURLED WASHER M4 UNI8842/A	RONDELLA INOX M4 ZIGRINATA UNI8842/A	
00000015	GALV CROSS HEAD CAP SCREW M6x16	VITE AQ M6x16 TC T.CR. ZINC	
00000089	S/S CROSSHEAD CAP SCREW M4x12 DIN7985	VITE INOX M4x12 TC TCR DIN7985	
00000104	S/S CROSSHEAD COUNTERSUNK SCREW M4x10 DIN965	VITE INOX M4x10 TSP TCR DIN965	
00000113	S/S CROS SHEAD CAP SCREW M4x6 7985	VITE INOX M4x6 TC TCR 7985	
00000118	S/SHEX SOCKET CAP SCREW M4x12 5931	VITE INOX M4x12 TCEI 5931	
00000122	WHITE GALV FLANGED KNURLED HEX CAP SCREW 8.8 M	VITE AQ 8.8 M6x12 TE FLANG. ZIGR. ZINC. BIANCO	
00000145	S/S SCREW M3x8 TSPEI UNI 5933	VITE INOX M3x8 TSPEI UNI 5933	
00000175	S/S CROSS HEAD CAP SCREW M4X10	VITE INOX M4x10 TC TCR	
00300038	S/S FH GRUB SCREW M10X35	GRANO INOX M10x35 PUNTA PIANA	
03003861	REAR INFERIOR PROFILE EAGLE ONE 1GR ALLUMINUM	PROFILO RETRO INFERIORE 1GR EAGLE ONE ALLUMINIO	
03003861.BV	REAR INFERIOR PROFILE WHITE	PROFILO RETRO INFERIORE 1GR EAGLE ONE BIANCORAL	
03003861.NOV	REAR INFERIOR PROFILE MATT BLACK	PROFILO RETRO INFERIORE 1GR EAGLE ONE NERO OPAC	
03003952	BASEMENT COVER FOR INSPECTION	COPERCHIO FONDO BASAMENTO	
03003954	SUPPORTING FRAME EAGLE ONE 1GR	TELAIO PORTANTE EAGLE ONE 1GR	
03003956	SUPERIOR BACKSIDE PLATE EAGLE ONE 1GR	LAMIERA SUPER. POSTERIORE 1GR EAGLE ONE	
03003962	PUMP SUPPORT BRACKET	STAFFA SUPPORTO POMPA EAGLE ONE 1GR	
03003964	SUPPORT DOSER BRACKET	LAMIERA SUPPORTO DOSATORE EAGLE ONE 1GR.	
03003966	MANOMETER SUPPORT BRACKET	STAFFA SUPPORTO MANOMETRO EAGLE ONE 1GR.	
03003972	RIGHT PLATE GUIDE SHEET EAGLE ONE 1GR	LAMIERA GUIDA PIATTO DX EAGLE ONE 1GR	
03003974	LEFT PLATE GUIDE SHEET EAGLE ONE 1GR	LAMIERA GUIDA PIATTO SX EAGLE ONE 1GR	
03003976	BOARD SUPPORT EAGLE ONE 1GR	SUPPORTO CENTRALINA EAGLE ONE 1GR.	
03003978	ELECTRONIC COMPONENTS SUPPORT EAGLE ONE 1GR	SUPPORTO COMPONENTI ELETTRICI EAGLE ONE 1GR	
03003980	EASYCREAM SUPPORT	SUPPORTO COMPONENTI EASY CREAMEAGLE ONE 1GR	
04200112	RED LIGHT 0/1 BIPOLAR SWITCH UL 16A	INTERRUTTORE BIPOLARE LUMINOSO ROSSO 0/1RETTANG	
05000093	CABLE GLAND TEC-S M20 D.6-12 PLASTIC BLACK	PRESSACAVO TEC-S M20 D.6-12 PLASTICA NERO	
05000232	SQUARE SWITCH COVER	COPRI INTERRUTTORE QUADRATO	
05000658	FLAT WATER DRIP TRAY EAGLE ONE	APPOGGIO PIATTO RACCOGLIACQUA EAGLE ONE	
05001350	MACHINE FOOT D40 H18 M8 MALE	PIEDE MACCHINA D.40 H=18+GOMM. INSERTO M8 MASCHIC	
06100301	FOOT MACHINE	PIEDE MACCHINA EAGLE ONE 1GR.	
06100314	RIGHT TERMINAL INF. BACKSIDE PROFILE	TERMINALE DX PROFILO RETRO INFERIORE EAGLE ONE 1	
07300391	EXTENSION CUP WARMER FIXING VA358	PROLUNGA FISSAGGIO SCALDATAZZE VA358	



CODE	DESCRIPTION	DESCRIZIONE
04000244	PRESSURE TRANSDUCER CONN. CABLE	CAVO COLL. TRASDUTTORE PRESSIONE
040500551	WIRING HIGH VOLTAGE E1 PRO	CABLAGGIO E1 PRO ALTA TENSIONE
040500552	WIRING LOW VOLTAGE E1 PRO	CABLAGGIO E1 PRO BASSA TENSIONE
040500554	SUPP. WIRING EASY CREAM E1 PRO	SUPPL. CABLAGGIO EASY CREAM E1 PRO
04001174	WIFI MODULE CABLE	CAVO MODULO WIFI
04901296	EXT CABLE INDUCTIVE SENSOR PORTAFILTER	PROLUNGA SENSORE INDUTTIVO
04000893	EXT CABLE L=600 2WAY CONN.	CAVO PROLUNGA L=600 CONNETTORI 2VIE
040500121	PULSE JET WIRING SUPPLEMENT	CAVO USB A (F) - USB C (M) 90° L=300mm



\*Specify Version

\*\*North America Market

COD.	DESCRIPTION	DESCRIZIONE	VAL.
04000023	SUPPLY CABLE UL AWG3X16 USA PLUG SHEATH 90°C 300	CAVO ALIM. AWG3x16 SJO 90°C 300V UL/CSA SPINA USADI	
04000126	ELECTRIC CABLE 2MT CE SCHUKO PLUG 90° 3X1,5	CAVO ELETTR. 2mt CE SPINA SCHUKO 90° 3x1,5 H05VV-F	
04000244	3POLE CONN CABLE RAST 2.5/MOLEX L = 800mm for PSTY	CAVO COLL.3P RAST 2,5/MOLEX L.800mm x TRASDUTTORI	
04000468	TRANSFORMER 24VDC 50W OPTIONAL AURELIA18 LRS 50	TRASFORMATORE 24V 50W OPTIONALS AURELIA18LRS-50	
R04000468	KIT-TRANSFORMER 24VDC 50W Opt. - 1Pcs	KIT-TRASFORMATORE 24V 50W-1 PZ	
04000893	EXTEN CABLE L=600 2WAY CONN AMP TYP MODE II M-F	CAVO PROLUNGA L=600 CONNETTORI 2VIE TIPO AMP MOD	
04001161	STRIP LED EAGLE ONE 1GR.	STRIP LED EAGLE ONE 1GR.	
04001174	WIFI MODULE CABLE-MAIN BOARD	CAVO MODULO WIFI2020 - CENTR. EAGLE ONE 1GR.	
040500121	USB A (F) - USB C (M) 90° CABLE L=300MM (ORIZ)	CAVO USB A (F) - USB C (M) 90° ORIZZONTALE L=300mm	
040500551	WIRING HIGH VOLTAGE E1 PRO	CABLAGGIO E1 PRO ALTA TENSIONE	
040500552	WIRING LOW VOLTAGE E1 PRO	CABLAGGIO E1 PRO BASSA TENSIONE	
040500554	SUPP. WIRING EASY CREAM E1 PRO	SUPPL. CABLAGGIO EASY CREAM E1 PRO	
04200007	POWER RELAY 30A 230V BIPOLAR	RELE' DI POTENZA 30A 230V BIPOLARE	
R04200007	KIT-POWER RELAY 30A 230V BIPOLAR - 1Pcs	KIT-RELE' DI POTENZA 30A 230V BIPOLARE - 1Pz	
04200096	STATIC RELAY 25A 250V 1OUT	RELE' STATICO 25A 250V 1out	
R04200096	KIT-STATIC RELAY 25A 250V 1OUT-1Pcs	KIT -RELE' STATICO 25A 250V 1OUT-1PZ** AD ESAURIMENT	
04200112	RED LIGHT 0/1 BIPOLAR SWITCH UL 16A	INTERRUTTORE BIPOLARE LUMINOSO ROSSO 0/1RETTAN	
04901132	MODULO WIFI2020	MODULO WIFI2020	
04901296	EXT CABLE INDUCTIVE SENSOR PORTAFILTER AURELIA1	PROLUNGA SENSORE INDUTTIVO "PRESENZA PORTAFILT	
981600671	CENTRAL BOARD E1 PRO LOW POWER	CENTRALINA E1 PRO LOW POWER	
981600672	CENTRAL BOARD E1 PRO STANDARD	CENTRALINA E1 PRO STANDARD	
04901521	MAIN BOARD EAGLE ONE 1GR. USA/CAN - AUS/NZ	CENTRALINA EAGLE ONE 1GR. USA/CAN - AUS/NZ	
04901522	CENTRAL BOARD EAGLE ONE 1GR.	CENTRALINA EAGLE ONE 1GR.	



INSPIRED BY YOUR PASSION.

Simonelli Group s.p.a.  
Via E. Betti, 1 - 62020 Belforte  
del Chienti - (MC) Italy  
Tel. +39 0733.950243 - Fax +39  
0733.850247  
e-mail: [info@victoriaarduino.com](mailto:info@victoriaarduino.com)  
com [www.victoriaarduino.com](http://www.victoriaarduino.com)