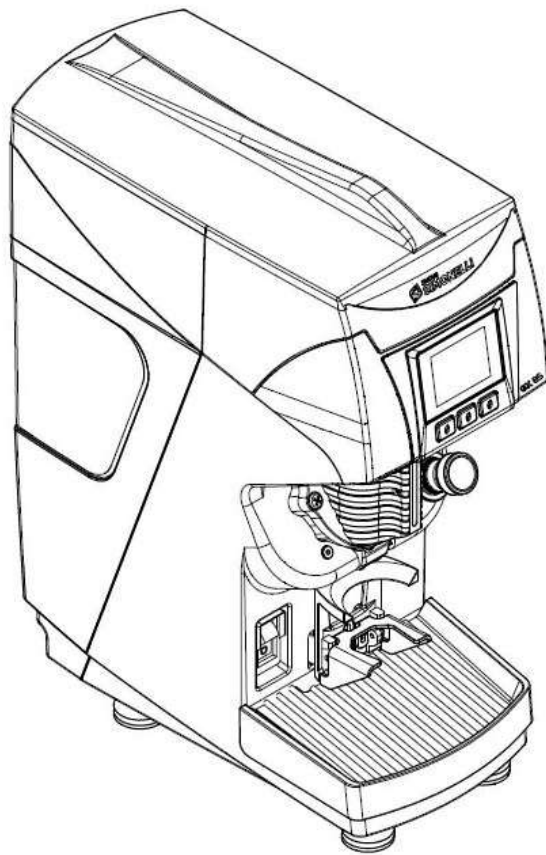


# SPARE PARTS BOOK

# GX



12/12/2023



- T.01 **HOPPER+FORK PARTS**  
PARTI CAMPANA+FORCELLA
  
- T.02 **MOTOR+SCALE+DISPLAY PARTS**  
PARTI MOTORE+BILANCIA+DISPLAY

» LEGEND :

THE CODES WRITTEN IN BOLD REFER TO THE COMPONENTS  
EMPLOYED CURRENTLY.

THE CODES USED BEFORE ARE WRITTEN IN CORSIVE WITH INDICATED,  
ON THE SIDE, THE END OF VALIDITY DATE.

EXAMPLE:

*03001531 - 01/09/2007*

**03001531**

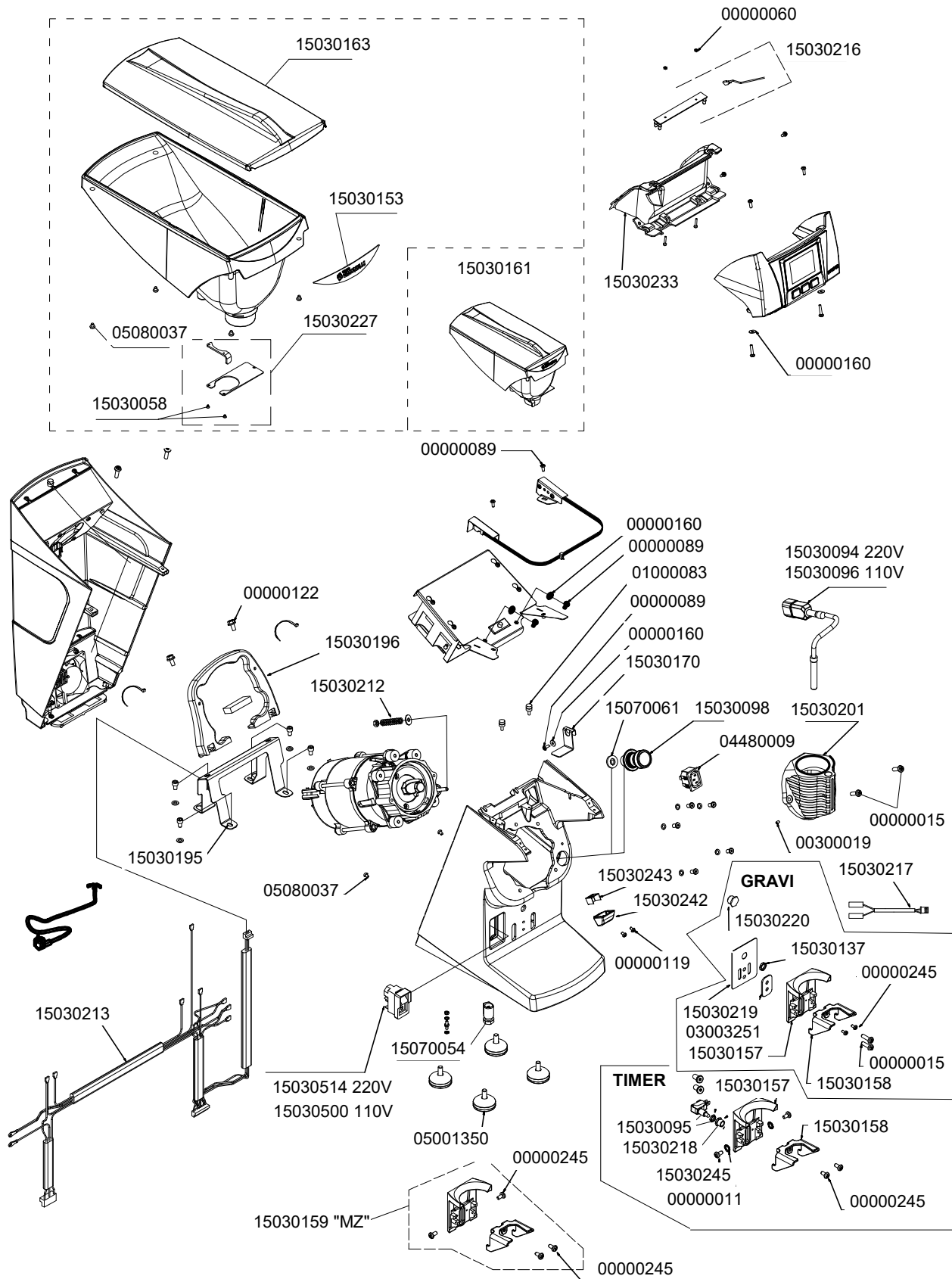
# GX

85 - 85V - 85W

85 - 85V - 85W

## PARTI CAMPANA+FORCELLA

## HOPPER+FORK PARTS



T. 01

# GX

# GX

85 - 85V - 85W

85 - 85V - 85W

**PARTI CAMPANA+FORCELLA****HOPPER+FORK PARTS**

COD.	DESCRIPTION	DESCRIZIONE	VAL.
00000011	S/S KNURLED WASHER M4 UNI8842/A	RONDELLA INOX M4 ZIGRINATA UNI8842/A	
00000015	GALV CROSS HEAD CAP SCREW M6x16	VITE AQ M6x16 TC T.CR. ZINC	
00000060	GALV MEDIUM NUT AQ M3	DADO AQ M3 MEDIO ZINCATO	
00000089	S/S CROSSHEAD CAP SCREW M4x12 DIN7985	VITE INOX M4x12 TC TCR DIN7985	
00000119	SS CROSS HEAD COUNTERSUNK SCREW M4x6 ISO 7046	VITE INOX M4x6 TSPTCR ISO 7046	
00000122	WHITE GALV FLANGED KNURLED HEX CAP SCREW 8.8 M	VITE AQ 8.8 M6x12 TE FLANG. ZIGR. ZINC. BIANCO	
00000160	S/S WASHER D4X12 UNI 6593	RONDELLA INOX D4x12x1 UNI 6593	
00300019	S/S GRUB SCREW M4X8 UNI 5923	GRANO INOX M4x6 UNI 5923 PP	
00000245	S/S SCREW M4X8 TC TCR DIN 7985	VITE INOX M4x8 TC TCR DIN 7985	
01000083	ANTI-VIBRATING DD 10X10 M4	ANTIVIBRANTE DD 10x10 M4 * KB *	
03003251	SCALE EXTENT SUPPORT VA388	LAMIERA SPESSORE SUPPORTO BILANCIA VA388	
04480009	BUILT-IN PLUG IEC 3POLE FASTON 6,3 10A FEMALE	PRESA IEC DA INCASSO 3 POLI FASTON 6,3 10A FEMMINA	
05001350	MACHINE FOOT D40 H18 M8 MALE	PIEDE MACCHINA D.40 H=18+GOMM. INSERTO M8 MASCH	
05080037	HARD RUBBER ROUND FOOT 9x5XH9	PIEDINO GOMMA DURA TONDO 9x5xh9	
15030058	S/S SCREW 3x5 TSP TCR 6060.0091	VITE INOX M3x5 TSP TCR 6060.0091	
R15030058	KIT-S/S SCREW 3x5 TSP TCR - 20Pcs	KIT-VITE INOX M3x5 TSP TCR - 20Pz	
15030094	HEAT. ELEMENT 220V+ PLUG MYT VA/2/MYONE4650.0100	RESISTENZA 230V + PRESA x MYT VA/2/MYONE 4650.0100	
15030095	MICROSWITCH ACTIVATION GRINDER MYTHOS ONE 411	MICROSW ATTIV. MACIN. MYTHOS ONE 4110.0014	
R15030095	KIT-MICROSWITCH ACTIVATION GRINDER - 2Pcs	KIT-MICROSW ATTIVAZIONE MACINATURA - 2Pz	
15030096	HEAT. ELEMENT 110V+ PLUG MYT VA/2/MYONE4650.0200	RESISTENZA 110V + PRESA x MYT VA/2/MYONE 4650.0200	
15030098	GRINDER REGISTER HANDLE MYTHOS ONE RESETTABL	POMELLO REGISTRO MACIN. MYTHOS ONE AZZERABILE4	
15030137	NUT FOR GUIDE NUT MICRO ACTIVATION GRINDER MYT	DADO X DADO GUIDA MICRO ATTIV.MACIN. MYTHOS ONE:	
15030153	HOPPER FRONTAL LABEL "NUOVA SIMONELLI" MYTHOS	ETICHETTA FRONTALE CAMPANA "NUOVA SIMONELLI"MY	
15030157	FORK MYTHOS 2 4600.0089V1902	FORCELLA MYTHOS 2 4600.0089V1902	
15030158	PORTAFILTER STAFF HOLDER REGULATOR MYTHOS 2 4	STAFFA REGGI PORTAF. REGOL. MYTHOS 2 4600.0082	
15030159	FORK GROUP MYTHOS 2 FOR PORTAFILTER "MZ"	GRUPPO FORCELLA MYTHOS 2 PER PORTAFILTRO "MZ"	
R15030159	KIT-FORK GROUP FOR PORTAFILTER "MZ" - 1Pcs	KIT-GRUPPO FORCELLA PER PORTAFILTRO "MZ" - 1Pz	
15030161	COMPLETE HOPPER "N.S." MYTHOS2 4600.1000M-NS	CAMPANA COMPLETA "N.S." MYTHOS2 4600.1000M-NS	
15030163	HOPPER COVER MYTHOS2 4600.0050	COPERCHIO CAMPANA MYTHOS2 4600.0050	
R15030163	KIT-HOPPER COVER MYTHOS2-1Pcs	KIT -COPERCHIO CAMPANA MYTHOS2 4600.0050-1PZ	
15030170	SCALE SUPPORT MYTHOS 2 4600.0094	SUPP. BILANCIA PER MYTHOS 2 4600.0094	
15030195	ENGINE SUPPORT BRACKET MYTHOS 2 4600.0125	STAFFA SUPP. MOTORE MYTHOS 2 4600.0125	
15030196	VERTEBRA ENGINE MYTHOS 2 4600.0126	VERTEBRA MOTORE MYTHOS 2 4600.0126	
15030201	SUPERIOR BURR HOLDER MYTHOS 2 4600.0005	PORTAMACINA SUP. MYTHOS 2 4600.0005	
15030212	SHORT GRINDING REGULATOR SPRING ROD 6002.3708	MOLLA TIRANTE REG. MACINATURA CORTA 6002.3708	
15030213	GENERAL WIRING MYTHOS 2 CAV45	CABLAGGIO GENERALE MYTHOS 2 CAV45	
15030216	LED MODULE MYTHOS 2 + CABLE 4600.0109 (+ CAV56)	MODULO LED MYTHOS 2 + CAVETTO 4600.0109 (+ CAV56)	
15030217	CONNECTION CABLE MICRO ACTIVATION GRINDER MYT	CAVO COLL. MICRO ATTIV. MACIN. MYTHOS 2 CAV44	
15030218	GUIDE NUT MICRO ACTIVATION GRINDER MYTHOS 2 605	DADO GUIDA MICRO ATTIV. MACIN. MYTHOS 2 6050.0019	
15030219	SCALE HOLES CLOSING MYTHOS 2 4600.0096	CHIUSURA FORI BILANCIA MYTHOS 2 4600.0096	
15030220	PLUG TAP MICRO MYTHOS 2 6050.0020	DADO TAPPO MICRO MYTHOS 2 6050.0020	
15030227	MYTHOS 2 HOPPER TAB	KIT GHIGLIOTTINA+LINGUETTA+VITI CAMPANA MYTHOS41	
15030233	REAR DISPLAY BOARD PROTECTION4600.0077V2001	PROTEZ. SCHEDA DISPLAY POSTER. MYTHOS 2 4600.0102	
15030242	ALUMINIUM SPOUT MYTHOS 2 4600.0007ALR00-XXG	BECCO IN ALLUMINIO MYTHOS 2 4600.0007ALR00-XXG	
15030243	S/S FRINGE CLUMP CRUSHER MYTHOS 2	FRANGIA CLUMP CRUSHER INOX MYTHOS 24600.0027M5F	
R15030243	KIT-S/S FRINGE CLUMP CRUSHER MYTHOS 2-3Pcs	KIT -FRANGIA CLUMP CRUSHER INOX MYTHOS 2-3PZ	
15030245	STAINLESS STEEL SCREW M4x8 TE 6060.0127	VITE INOX M4x8 TE 6060.0127	
15030500	SWITCH 110V MYTHOS MY VA 1011.0054	INTERRUTTORE 110V MYTHOS MY VA1011.0054	
15030514	SWITCH 220VAC 1011.0055	INTERRUTTORE 220Vac1011.0055	
R15030514	KIT-SWITCH 220VA 1Pcs	KIT-INTERRUTTORE 220Vac-1PZ	

# GX

# GX

85 - 85V - 85W

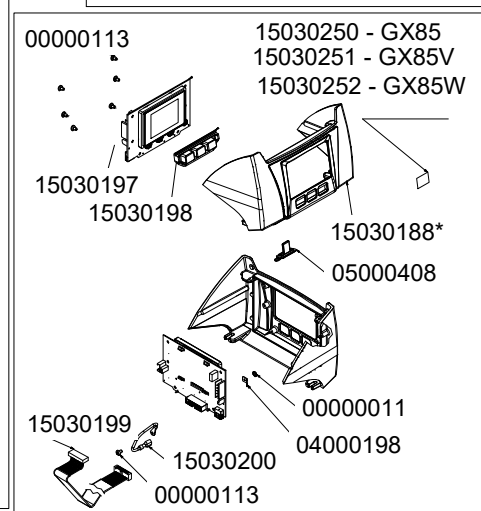
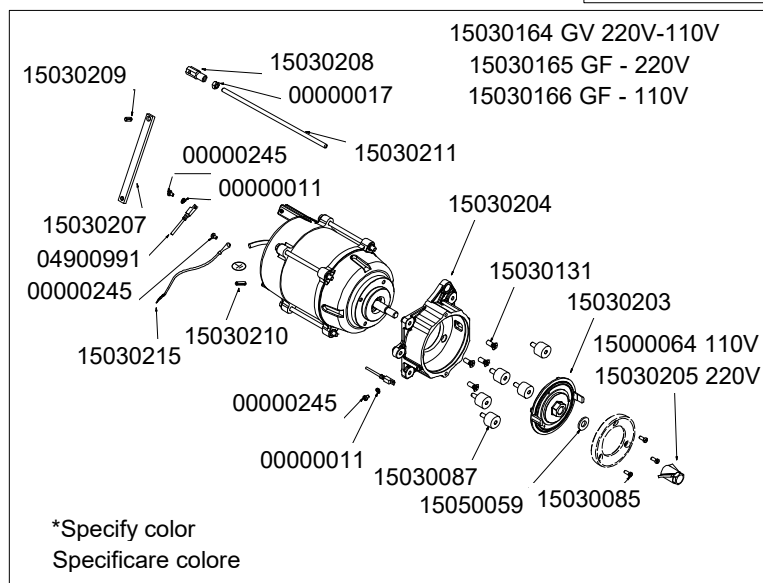
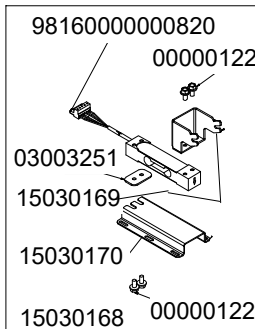
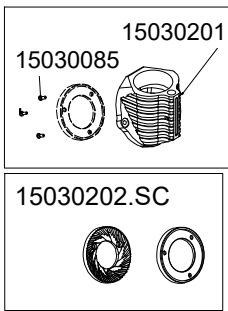
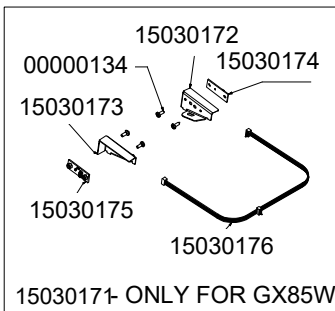
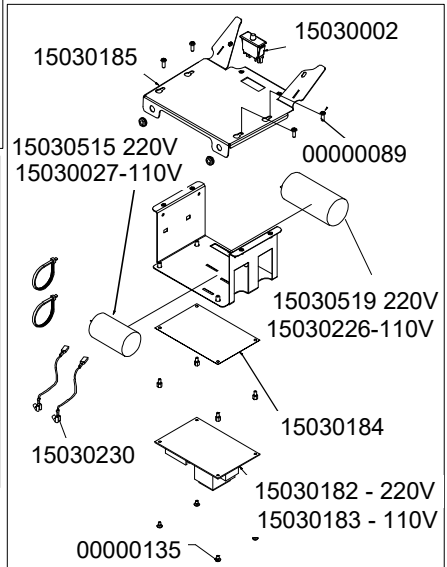
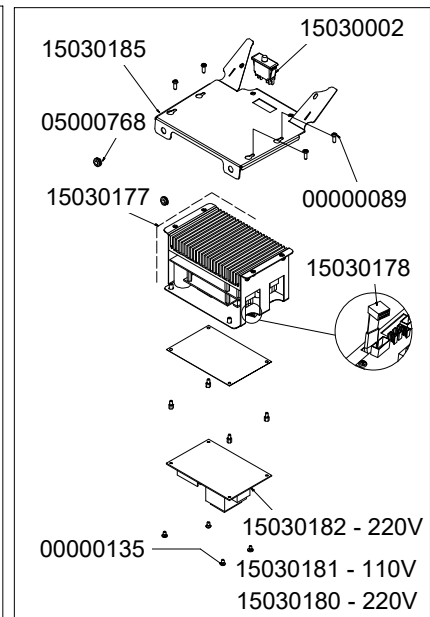
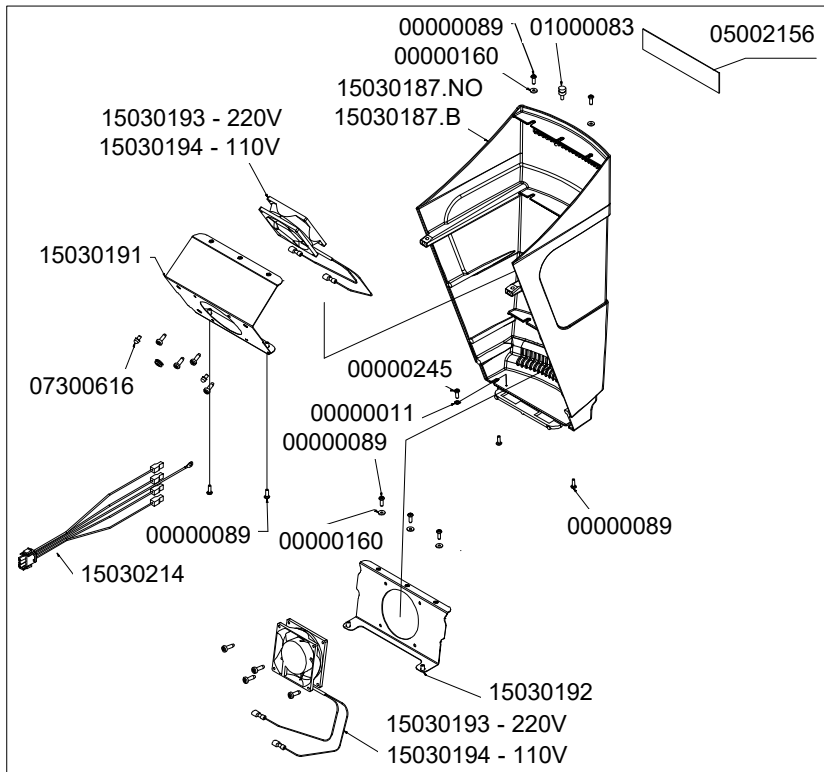
85 - 85V - 85W

**PARTI CAMPANA+FORCELLA**

**HOPPER+FORK PARTS**

COD.	DESCRIPTION	DESCRIZIONE	VAL.
15070061	ROD BUSHING POSITIONING - MDJ TEFLON 2501.0026	BOCCOLA CENTRAGGIO ASTA x MDJ TEFLON 2501.0026	

The GX logo is positioned at the bottom right of the page, flanked by two horizontal grey bars.



# GX

85 - 85V - 85W

85 - 85V - 85W

**PARTI MOTORE+BILANCIA+DISPLAY****MOTOR+SCALE+DISPLAY PARTS**

COD.	DESCRIPTION	DESCRIZIONE	VAL.
00000011	S/S KNURLED WASHER M4 UNI8842/A	RONDELLA INOX M4 ZIGRINATA UNI8842/A	
00000017	GALV BOLT AQ M6 HIGH h6 5587	DADO AQ M6 ALTO ZINC. h6 5587	
00000089	S/S CROSSHEAD CAP SCREW M4x12 DIN7985	VITE INOX M4x12 TC TCR DIN7985	
00000113	S/S CROS SHEAD CAP SCREW M4x6 7985	VITE INOX M4x6 TC TCR 7985	
00000122	WHITE GALV FLANGED KNURLED HEX CAP SCREW 8.8 M	VITE AQ 8.8 M6x12 TE FLANG. ZIGR. ZINC. BIANCO	
00000134	GALV SCREW AQ M3x6 TC TC UNI 6107	VITE AQ M3x6 TC TC ZINC. UNI6107	
00000135	GALV SLT CAP SELF-TAPPING SCREW 2,9x15	VITE AUTOF 2,9x15 TCTC ZIN.	
00000160	S/S WASHER D4X12 UNI 6593	RONDELLA INOX D4x12x1 UNI 6593	
01000083	ANTI-VIBRATING DD 10X10 M4	ANTIVIBRANTE DD 10x10 M4 * KB *	
00000245	S/S SCREW M4X8 TC TCR DIN 7985	VITE INOX M4x8 TC TCR DIN 7985	
03003251	SCALE EXTENT SUPPORT VA388	LAMIERA SPESSORE SUPPORTO BILANCIA VA388	
04000198	FOIL HOLDER M 6.3 D 4.2 45°	PRESA LAMELLARE M 6.3 d4.2 45°	
04900991	GROUP TEMPERATURE PROBE PT1000 AURELIAII TFT	SONDA TEMPERATURA PT1000 GR. AURELIA II "DISPLAY A	
R04900991	KIT-GROUP TEMPERATURE PROBE PT1000 - 1Pcs	KIT-SONDA TEMPERATURA PT1000 - 1Pz	
05000408	USB COVER VA388	CHIUSURA PORTA USB VA388	
05000768	D13.5x6.6x1.5 BLACK PVC CABLE DUCT	PASSAC. PVC NERO D13.5x6.6x1.5	
05002156	LABEL NUOVA SIMONELLI PRONTOBAR L100	ETICHETTA "NUOVA SIMONELLI" PRONTOBAR L=100	
07300616	MICROBAR FRAME PIN M4	PERNO CARENA M4 MICROBAR	
15000064	NUT-STOP BURR HOLDER 2501.0003	DADO FERMA PORTAMACINE **AD ESAURIMENTO DARE1!	
15030002	SAFETY MICROSWITCH MYTHOS 4110.0007	MICROSW SICUREZZA MYTHOS 4110.0007	
R15030002	KIT-SAFETY MICROSWITCH - 1Pcs	KIT-MICROSW SICUREZZA - 1Pz	
15030027	60 mF UL CONDENSER 10130060	CONDENSATORE 60mF UL 1013.0060	
15030085	S/S SCREW M4x10 TCT(-) CUTTING HEAD 6060.0002 BUR	VITE INOX M4x10 TCT(-) TESTA TAGLIO 6060.0002FISS. MA	
R15030085	KIT-S/S SCREW M4x10 TCT(-) CUTTING HEAD - 8Pcs	KIT-VITE INOX M4x10 TCT(-) TESTA TAGLIO - 8Pz	
15030087	VIBRATION DAMPER D20xH15xL16 M6 M/F 4110.0010	ANTIVIBRANTE D20xH15xL16 M6 M/F 4110.0010	
15030131	S/S SCREW M6x16 TSP T.CR. 6060.0012	VITE INOX M6x16 TSP TCR 6060.0012	
15030164	COMPLETE ENGINE MYTHOS 2 VARIABLE SPEED	MOTORE COMPLETO MYTHOS 2 GIRI VARIABILI	
15030165	COMPLETE MOTOR MYTHOS 2 FIXED SPEED 220V	MOTORE COMPLETO MYTHOS 2 GIRI FISSI 220V	
15030166	COMPLETE ENGINE MYTHOS 2 FIXED SPEED 110V	MOTORE COMPLETO MYTHOS 2 GIRI FISSI 110V	
15030168	SCALE GROUP MYTHOS 2 4605.0000	GRUPPO BILANCIA MYTHOS 2 4605.0000	
15030169	SCALE PORTAFILTER SUPPORT MYTHOS 2 4600.0093	SUPP. PORTAF. BILAN. MYTHOS 2 4600.0093	
15030170	SCALE SUPPORT MYTHOS 2 4600.0094	SUPP. BILANCIA PER MYTHOS 2 4600.0094	
15030171	MYTHOS2 COFFEE PRESENCE SENSOR GROUP 4601.001	GRUPPO SENSORI PRESENZA CAFFE' MYTHOS2 4601.000	
15030172	SUPPORT PLATE SCREW W/O HEAD SENSORS DX-TX 46	LAMIERA SUPP. SENSORI GRANO DX-TX 4600.0120	
15030173	SUPPORT PLATE SCREW W/O HEAD LEFT SENSORS	LAMIERA SUPP. SENSORI GRANO SX-RX 4600.0121	
15030174	TX SENSOR FOR LEVEL SCREW W/O HEAD (RIGHT SIDE)	SENSORE TX PER LIVELLO GRANO (LATO DX) 4600.0106T.	
15030175	TX SENSOR FOR LEVEL SCREW W/O HEAD (LEFT SIDE)	SENSORE RX PER LIVELLO GRANO (LATO SX) 4600.0106R	
15030176	CONNECTION CABLE FOR SENSOR COFFEE PRESENCE	CAVO COLL. SENSORI PRESENZA CAFFE' MYTHOS2 CAV1	
15030177	INVERTER SET IC 400 (110V-220V) 8001.4217-ASS	ASSIEME INVERTER IC 400 (110V-220V) 8001.4217-ASS	
15030178	INVERTER CABLE CAV40	CAVETTO INVERTER CAV40	
15030180	CENTRAL GROUP MYTHOS 2 VAR. SPEED 220V 4603.100	GRUPPO CENTR. MYTHOS 2 GIRI V. 220V 4603.1000-220	
15030181	CENTRAL GROUP MYTHOS 2 VAR. SPEED 110V 4603.100	GRUPPO CENTR. MYTHOS 2 GIRI V. 110V 4603.1000-110	
15030182	POWER 220V MYTHOS 2 4600.0220	ALIMENTATORE 220V X MYTHOS 2 4600.0220	
15030183	POWER 110V MYTHOS 2 4600.0110	ALIMENTATORE 110V X MYTHOS 2 4600.0110	
15030184	BOARD PROTECTION MYTHOS 2 4600.0063	PROTEZIONE SCHEDA MYTHOS 2 4600.0063	
15030185	PROTECTION MYTHOS 2 UNDER-COVER 4600.0067	PROTEZ. SOTTOCAMPANA MYTHOS 2 4600.0067	
15030187.B	BACKSIDE MYTHOS 2 WHITE 4600.0001-101	CORPO POSTER. MYTHOS 2 BIANCO 4600.0001-101	
15030187.NO	BACKSIDE MYTHOS 2 MATTE BLACK 4600.0001-001	CORPO POSTER. MYTHOS 2 NERO OPACO 4600.0001-001	
15030188.B	FRONTAL PANEL MYTHOS 2 WHITE 4600.0020-101	PANNELLO FRONT. MYTHOS 2 BIANCO 4600.0020-101	
15030188.NO	FRONTAL PANEL MYTHOS 2 MATTE BLACK 4600.0020-00	PANNELLO FRONT. MYTHOS 2 NERO OPACO 4600.0020-00	

# GX

# GX

85 - 85V - 85W

85 - 85V - 85W

**PARTI MOTORE+BILANCIA+DISPLAY****MOTOR+SCALE+DISPLAY PARTS**

COD.	DESCRIPTION	DESCRIZIONE	VAL.
15030191	UPPER SUPPORT FAN X MYTHOS 2 4600.0068	SUPP. VENTOLA SUP. X MYTHOS 2 4600.0068	
15030192	BOTTOM SUPPORT FAN X MYTHOS 2 4600.0069	SUPP. VENTOLA INF. X MYTHOS 2 4600.0069	
15030193	FAN 230V MYTHOS 2 CABLED 4600.0420	VENTOLA 230V MYTHOS 2 CABLATA 4600.0420	
15030194	FAN 110V MYTHOS 2 CABLED 4600.0410	VENTOLA 110V MYTHOS 2 CABLATA 4600.0410	
15030197	DISPLAY TFT BOARD MYTHOS 2 4600.0012	SCHEDA DISPLAY TFT MYTHOS 2 4600.0012AOR01-XXX	
15030198	3KEY SILICONE KEYPAD MYTHOS 2 4600.0105	TASTIERA SILICONICA 3 TASTI MYTHOS 2 4600.0105	
15030199	20WAY FLAT CABLE MYTHOS 2 CAV41	CAVO FLAT 20 VIE X MYTHOS 2 CAV41	
15030200	GROUND WIRING FOR FRONTAL MYTHOS 2 CAV46	CABLAGGIO TERRA X FRONTALE MYTHOS 2 CAV46	
15030201	SUPERIOR BURR HOLDER MYTHOS 2 4600.0005	PORTAMACINA SUP. MYTHOS 2 4600.0005	
15030202.SC	BURR PAIR D.85 LONG LIFE + BOX	COPPIA MACINE D.85 LONG LIFE + SCATOLA	
15030203	INFERIOR BURR HOLDER MYTHOS 2 4600.0014-RIC	PORTAMACINA INF. MYTHOS 2 4600.0014-RIC	
15030204	GRINDER CHAMBER MYTHOS 2 4600.0016	CAMERA DI MACINATURA MYTHOS 24600.0016v1812	
15030205	SPIRAL CLIP BURR HOLDER MYTHOS 2 4600.0006v1901	CHIOCCIOLA FERMA PORTAMACINE MYHTOS 24600.0006v	
15030207	MYTHOS LOW REGISTER AUCTION 2570.0005	ASTA REGISTRO MYTHOS LOW 2570.0005	
15030208	FORK REGISTER MDL / C- MCD - MYTHOS 2501.0013	FORCELLA REGISTRO MDL/C- MCD -MYTHOS 2501.0013	
15030209	ELASTIC PIN 5x12 6040.0019	SPINA ELASTICA 5x12 6040.0019	
15030210	ELASTIC PIN 5x20 6040.0001	SPINA ELASTICA 5x20 6040.0001	
15030211	TIE-ROD REG. MCD - MYTHOS LOW 6001.0005	TIRANTE REG. MCD - MYTHOS LOW 6001.0005	
15030214	CONNECTION CABLE FAN - GROUND MYTHOS 2 CAV42	CAVO COLL. VENTOLE + TERRA MYTHOS 2 CAV42	
15030225	PILOT 220V FOR MYTHOS 2 - 10uF 1012.0010	PILOT 220V X MYTHOS 2 - 10uF 1012.0010	
15030226	PILOT 110V FOR MYTHOS 2 1012.0009	PILOT 110V X MYTHOS 2 1012.0009	
15030230	CONNECTION CABLE PILOT MYTHOS 2 (1pc.) CAV61	CAVO COLL. PILOT MYTHOS 2 (1pz.) CAV61	
15030250	LOGO LABEL GX85E00268-029006-R00	ETICHETTA LOGO GX85 E00268-029006-R00	
15030251	LOGO LABEL GX85VE00267-035006-R00	ETICHETTA LOGO GX85V E00267-035006-R00	
15030252	LOGO LABEL GX85WE00269-039006-R00	ETICHETTA LOGO GX85W E00269-039006-R00	
15030515	CAPACITOR MF. 16/450 1013.1600	CONDENSATORE MF.16/4501013.1600	
15030519	STARTER GROUP S1-10-00-450 - Ts=0,3 1012.0014	GRUPPO AVVIAMENTO S1-10-00-450 - Ts=0,31012.0014	
15050059	S/S WASHER M10 10,5x21 UNI6592 6061.0001	RONDELLA INOX M10 10,5x21 UNI6592 6061.0001	
98160000000820	LOAD CELL SET W/ CONNECTOR VA388	ASSIEME CELLA DI CARICO VA388 + CONNETTORE	
R98160000000820	KIT-LOAD CELL SET W/ CONNECTOR - 1Pcs	KIT-ASSIEME CELLA DI CARICO + CONNETTORE - 1Pz	

# GX

[www.nuovasimonelli.it](http://www.nuovasimonelli.it)

---

**Simonelli Group**

Via E. Betti, 1  
62020 Belforte del Chienti  
Macerata - Italy  
T +39 07339501  
[info@simonelligroup.it](mailto:info@simonelligroup.it)  
[www.nuovasimonelli.it](http://www.nuovasimonelli.it)

**Nuova Distribution Usa**

6940 Salashan Pkwy, Bldg, A  
Ferndale, WA 98248  
T +1 3603662226  
[info@simonelliusa.com](mailto:info@simonelliusa.com)  
[www.simonelliusa.com](http://www.simonelliusa.com)

**Nuova Simonelli Asia Pacific**

61 Kaki Bukit Ave 1  
#02-24 Shun Li Industrial Park  
Singapore 417943  
T +65 68410985  
[www.nuovasimonelliasiapacific.com](http://www.nuovasimonelliasiapacific.com)

**Nuova Distribution France**

Hexapole - Actipole - Bat 5  
Rue Maurice Herzog  
73420 Viviers Du Lac  
T +33 (0) 967894852  
[info@nuovadistribution.fr](mailto:info@nuovadistribution.fr)