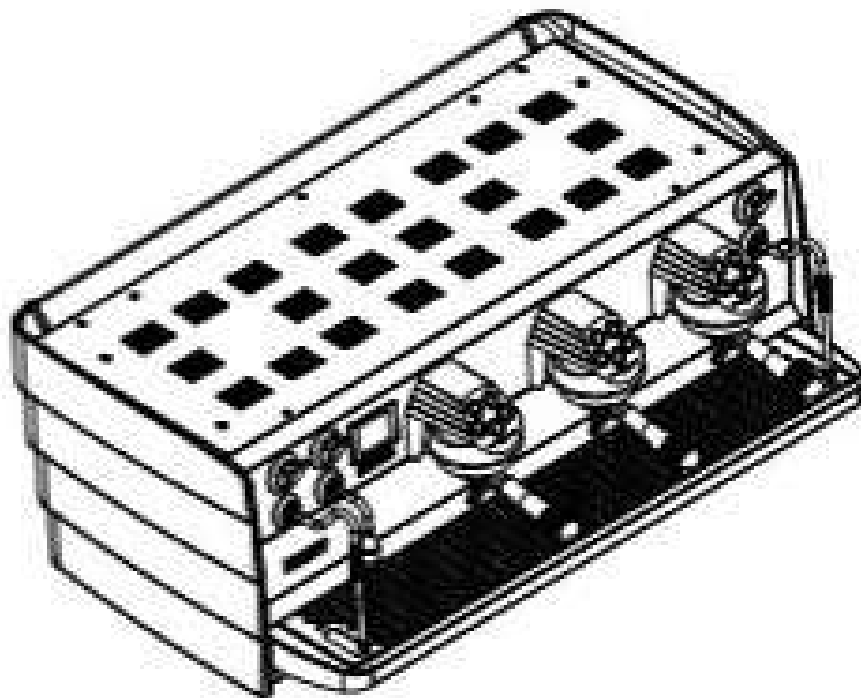


SPARE PARTS BOOK

EAGLE TEMPO



04/07/2025

EAGLE TEMPO NEO

Victoria Arduino

INSPIRED BY YOUR PASSION.



INSPIRED BY YOUR PASSION.

- T.01 **CABINET PARTS**
GRUPPO CARENA
- T.02 **CONTROL PANEL**
INVOLUCRO COMANDI
- T.03a **POURING GROUP**
GRUPPO EROGAZIONE
- T.04 **HYDRAULIC PARTS**
COMPONENTI IDRAULICI
- T.05 **STEAM WAND**
LANCIA VAPORE
- T.06 **HOT WATER AND EASY CREAM**
ACQUA CALDA + EASY CREAM
- T.07 **COFFEE BOILER**
CALDAIA CAFFE
- T.08 **STEAM BOILER**
CALDAIA VAPORE
- T.09 **FRAME**
TELAIO
- T.10 **ELECTRIC PARTS**
COMPONENTI ELETTRICI
- T.11 **ELECTRICAL PARTS**
COMPONENTI ELETTRICI

» LEGEND :

THE CODES WRITTEN IN BOLD REFER TO THE COMPONENTS
EMPLOYED CURRENTLY.

THE CODES USED BEFORE ARE WRITTEN IN CORSIVE WITH INDICATED,
ON THE SIDE, THE END OF VALIDITY DATE.

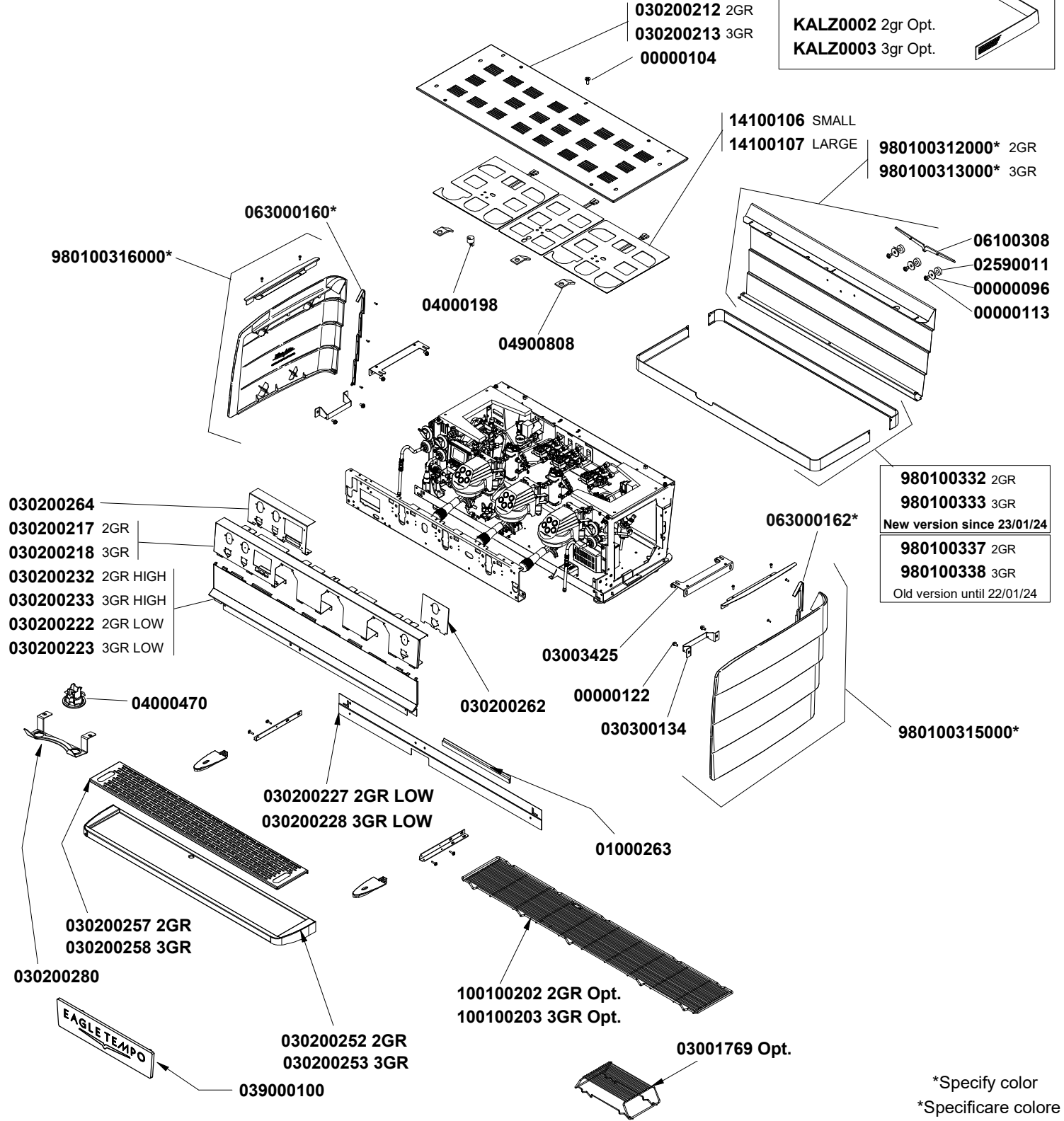
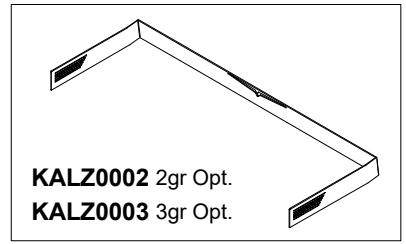
EXAMPLE:

03001531 - 01/09/2007

03001531



CODE	DESCRIPTION	DESCRIZIONE
KSEVA205	ELEC. CUPWARMER 2GR	SCALDATAZZE ELET. 2GR
KSEVA305	ELEC. CUPWARMER 3GR	SCALDATAZZE ELET. 3GR



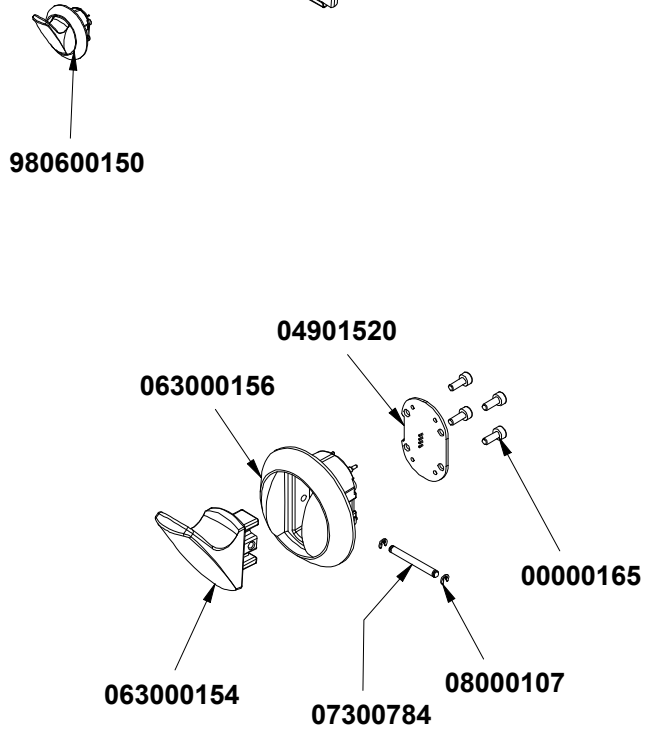
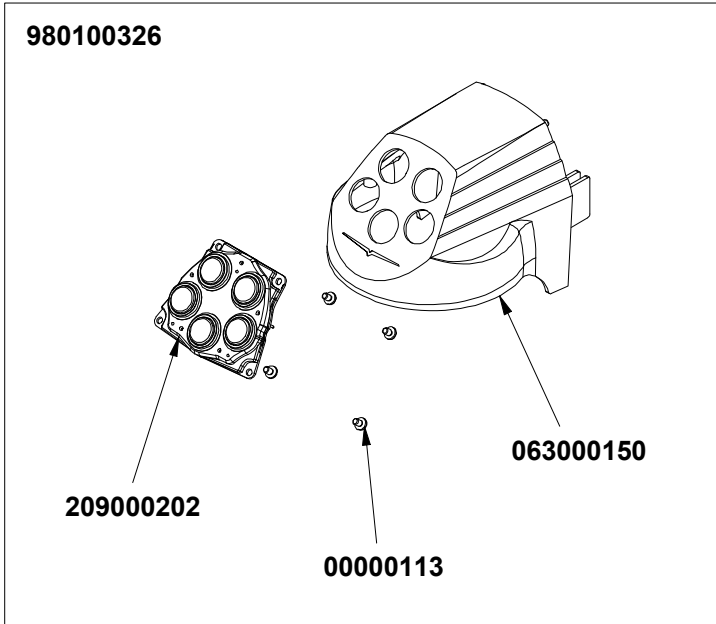
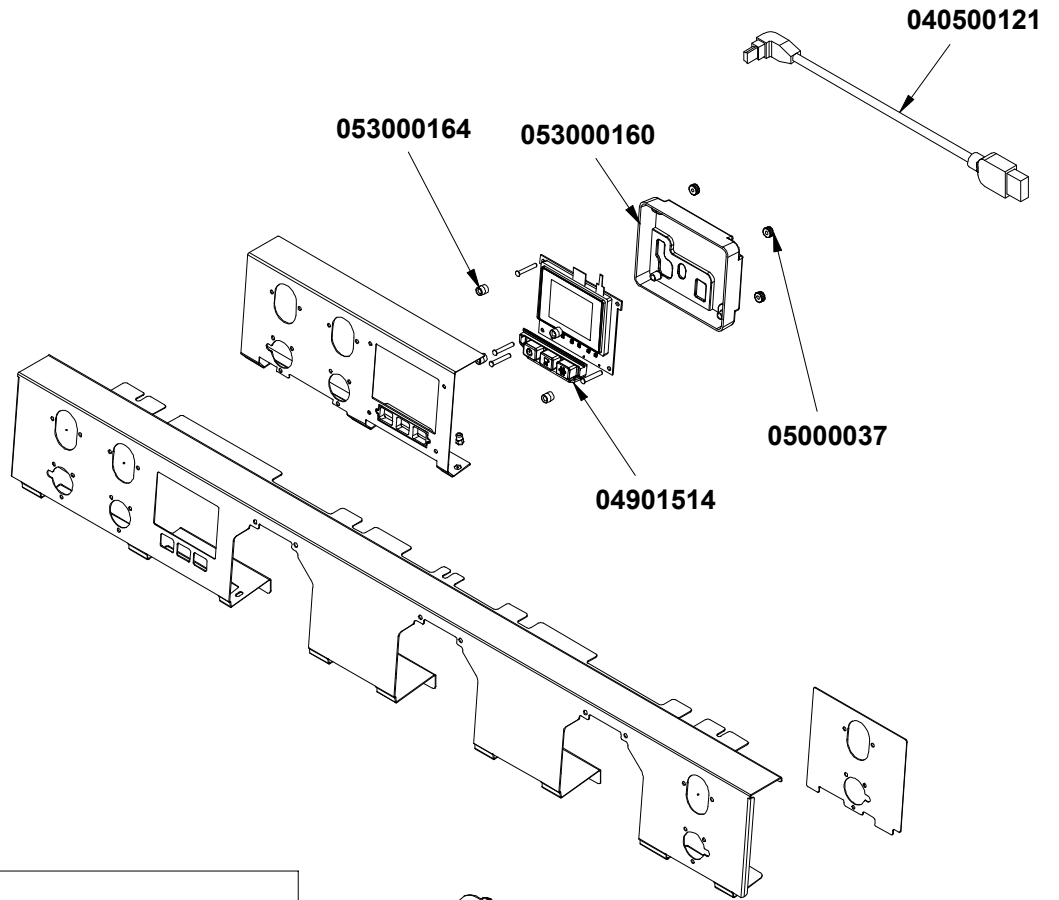
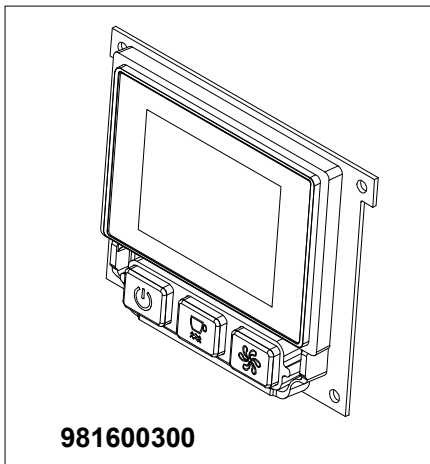
*Specify color
*Specificare colore



COD.	DESCRIPTION	DESCRIZIONE	VAL.
00000096	GALV AQ WASHER M6 6,6x18x1,5	RONDELLA AQ M6 6,6X18X1.5 ZINC	
00000104	S/S CROSSHEAD COUNTERSUNK SCREW M4x10 DIN965	VITE INOX M4x10 TSP TCR DIN965	
00000113	S/S CROS SHEAD CAP SCREW M4x6 7985	VITE INOX M4x6 TC TCR 7985	
00000122	WHITE GALV FLANGED KNURLED HEX CAP SCREW 8.8 M	VITE AQ 8.8 M6x12 TE FLANG. ZIGR. ZINC. BIANCO	
01000263	RUBBER PROFILE GASKET FOR PLATE	GUARNIZIONE PROFILO IN GOMMA PER PIATTO	
02590011	PISTON GASKET 14,4X6X4,5 SIL RED SR80	GUARNIZ.PISTONCINO 14,4X6X4,5 SILICONE ROSSO SR 80	
03001769	S/S RAISED CUP STAND	SUPP. TAZZINE INOX	
03003425	SIDE PANEL SUPPORT VA358	LAMIERA SUPP. FIANCO VA358 - WER	
030200212	CUP HOLDER 2GR. WER	PIATTO PORTATAZZE 2GR. WER	
030200213	CUP HOLDER 3GR WER	PIATTO PORTATAZZE 3GR. WER	
030200217	UPPER FRONT PANEL 2GR WER	PARETE FRONTALE SUP. 2GR. WER	
030200218	UPPER FRONT PANEL 3GR WER	PARETE FRONTALE SUP. 3GR. WER	
030200222	LOW FRONT PANEL 2GR WER	PARETE FRONTALE 2GR. BASSI WER	
030200223	LOW FRONT PANEL 3GR WER	PARETE FRONTALE 3GR. BASSI WER	
030200252	DRAIN TRAY 2GR WER	PIATTO RACCOGLIACQUA 2GR. WER	
030200253	DRAIN TRAY 3GR WER	PIATTO RACCOGLIACQUA 3GR. WER	
030200257	MESH WORKTOP 2GR WER	RETINA PIANO LAVORO 2GR. WER	
030200258	WORKTOP NET 3GR WER	RETINA PIANO LAVORO 3GR. WER	
030200262	RIGHT FRONT HIGH PLATE 2-3GR WER	LAMIERA INTERNA DX FRONT. SUP. 2-3GR WER	
030200264	LEFT FRONT PLATE HIGH 2-3GR WER	LAMIERA INTERNA SX FRONT. SUP. 2-3GR WER	
030200267	LOWER PROFILE BACK H=50MM 2GR. WER	PROFILO INF. RETRO H=50MM 2GR. WER	
030200268	LOWER PROFILE BACK H=50MM 3GR. WER	PROFILO INF. RETRO H=50MM 3GR. WER	
030200272	LOWER PROFILE FRONT. H=50MM 2GR. WER	PROFILO INF. FRONT. H=50MM 2GR. WER	
030200273	LOWER PROFILE FRONT. H=50MM 3GR. WER	PROFILO INF. FRONT. H=50MM 3GR. WER	
030200280	GROUP LED SUPPORT WER	SUPPORTO LED GRUPPO WER	
030300134	BOTTOM BRACKET SIDE WER	STAFFA INFERIORE FIANCO WER	
039000100	FRONTAL LOGO WER	LOGO FRONTALE WER	
04000198	FOIL HOLDER M 6.3 D 4.2 45°	PRESA LAMELLARE M 6.3 d4.2 45°	
04000470	12VDC LED SPOT AURELIA WAVE	LED AURELIA18 12V	
04900808	CUPWARMER TEMPERATURE PROBE AURELIA	SONDA TEMPERATURA SCALDATAZZE AURELIA	
06100308	BACKSIDE EAGLE LOGO EAGLE ONE SHINY ALLUMINUM	LOGO AQUILA POSTERIORE EAGLE ONE ALLUMINIO LUCID	
100100202	STRAND NET WORKTOP 2GR EAGLE TEMPO	RETINA A FILO PIANO LAVORO 2GR. WER	
100100203	STRAND NET WORKTOP 3GR EAGLE TEMPO	RETINA A FILO PIANO LAVORO 3GR. WER	
14100106	ADHESIVE SILICONE HEATING ELEMENT - SIDE CUPWAR	RESISTENZA ADESIVA IN SILICONE SCALDATAZZE LATER.E	
14100107	ADHESIVE SILICONE HEATING ELEMENT - CENTRAL CUP	RESISTENZA ADESIVA IN SILICONE SCALDATAZZE CENTR.	
980100312001	REAR CABINET SET EAGLE TEMPO 2GR STEELUX	ASS. CARENA RETRO WER 2GR. STEELUX	
980100312002	REAR CABINET SET EAGLE TEMPO 2GR MATT WHITE	ASS. CARENA RETRO WER 2GR. BIANCO OPACO	
980100312003	REAR CABINET SET EAGLE TEMPO 2GR MATT BLACK	ASS. CARENA RETRO WER 2GR. NERO OPACO	
980100312004	REAR CABINET SET EAGLE TEMPO 2GR HERITAGE	ASS. CARENA RETRO WER 2GR. HERITAGE	
980100313001	REAR CABINET SET EAGLE TEMPO 3GR STEELUX	ASS. CARENA RETRO WER 3GR. STEELUX	
980100313002	REAR CABINET SET EAGLE TEMPO 3GR MATT WHITE	ASS. CARENA RETRO WER 3GR. BIANCO OPACO	
980100313003	REAR CABINET SET EAGLE TEMPO 3GR MATT BLACK	ASS. CARENA RETRO WER 3GR. NERO OPACO	
980100313004	REAR CABINET SET EAGLE TEMPO 3GR HERITAGE	ASS. CARENA RETRO WER 3GR. HERITAGE	
980100315001	RIGHT SIDE SET EAGLE TEMPO STEELUX	ASS. FIANCO DX WER STEELUX	
980100315003	RIGHT SIDE SET EAGLE TEMPO MATT BLACK	ASS. FIANCO DX WER NERO OPACO	
980100315004	RIGHT SIDE SET EAGLE TEMPO MATT WHITE	ASS. FIANCO DX WER BIANCO OPACO	
980100316001	LEFT SIDE SET EAGLE TEMPO STEELUX	ASS. FIANCO SX WER STEELUX	

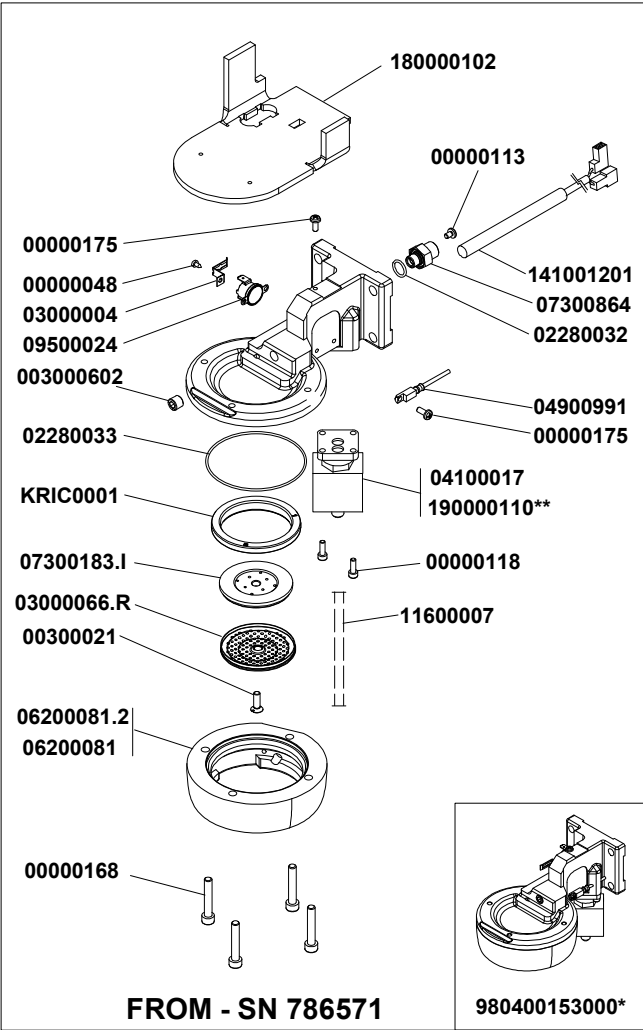
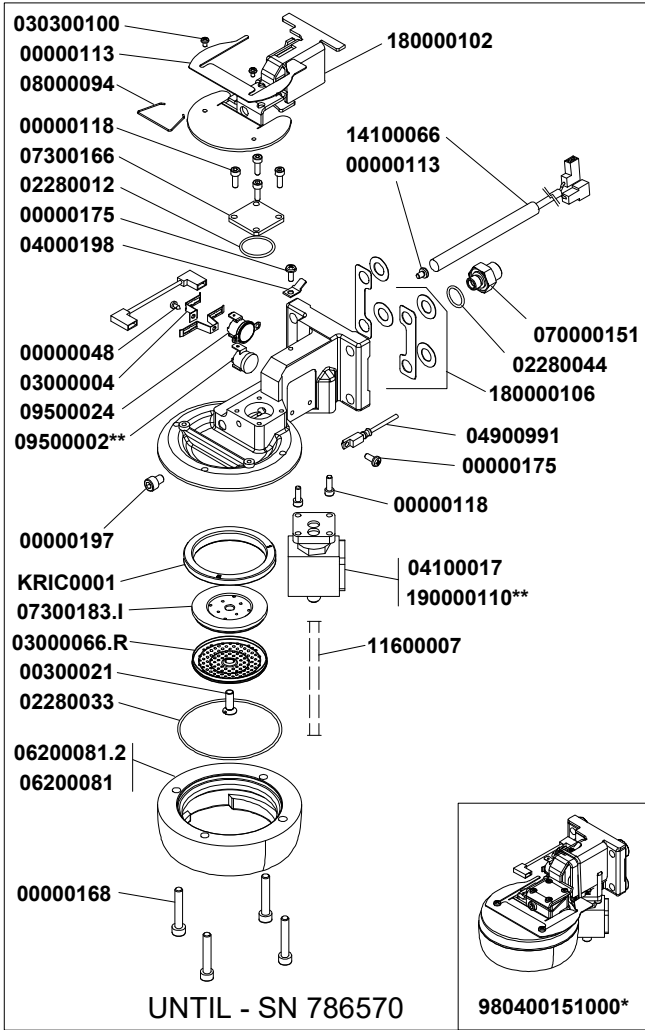


COD.	DESCRIPTION	DESCRIZIONE	VAL.
980100316003	LEFT SIDE SET EAGLE TEMPO MATT BLACK	ASS. FIANCO SX WER NERO OPACO	
980100316004	LEFT SIDE SET EAGLE TEMPO MATT WHITE	ASS. FIANCO SX WER BIANCO OPACO	
980100332	LOWER PROFILES H=50MM 2GR. WER	ASS. PROFILI INFERIORI H=50MM 2GR. WER	
980100333	LOWER PROFILES H=50MM 3GR. WER	ASS. PROFILI INFERIORI H=50MM 3GR. WER	
980100337	LOWER PROFILES H=50MM 2GR. WER "OLD VERSION"	ASS. PROFILI INFERIORI H=50MM 2GR. WER "VECCHIAVES"	
980100338	LOWER PROFILES H=50MM 3GR. WER "OLD VERSION"	ASS. PROFILI INFERIORI H=50MM 3GR. WER "VECCHIAVES"	
KALZ0002	UPPER CUPHOLDER KIT EAGLE TEMPO 2GR	KIT ALZATINA POGGIATAZZE SUPERIORE EAGLE TEMPO 2	
KALZ0003	UPPER CUPHOLDER KIT EAGLE TEMPO 3GR	KIT ALZATINA POGGIATAZZE SUPERIORE EAGLE TEMPO 3	
KSEVA205	ELECTRICAL CUPWARMER EAGLE TEMPO 2GR	SCALDATAZZE ELETTRICO EAGLE TEMPO 2GR.	
KSEVA305	ELECTRICAL CUPWARMER EAGLE TEMPO 3GR	SCALDATAZZE ELETTRICO EAGLE TEMPO 3GR.	
063000160.BOV	REAR SIDE LEFT PROFILE MTT WHITE PAINTED RAL9016	PROFILO CHIUSURA RETRO-FIANCO SX WER BIANCO RAL	
063000160.C	REAR SIDE LEFT PROFILE CHROME	PROFILO CHIUSURA RETRO-FIANCO SX WER CROMATO	
063000160.NOV	REAR SIDE LEFT PROFILE MTT BLACK PAINTED	PROFILO CHIUSURA RETRO-FIANCO SX WER NERO OPACO	
063000160.OTV	REAR SIDE LEFT PROFILE MTT BRASS PAINTED	PROFILO CHIUSURA RETRO-FIANCO SX WER OTTONE VEF	
063000160.R1023L	REAR SIDE LEFT PROFILE TRAFFIC YELLOW PAINTED	PROFILO CHIUSURA RETRO-FIANCO SX WER R1023L GIALI	
063000162.BOV	REAR SIDE RIGHT PROFILE MTT WHITE PAINTED RAL9016	PROFILO CHIUSURA RETRO-FIANCO DX WER BIANCO RAL	
063000162.C	REAR SIDE RIGHT PROFILE CHROME	PROFILO CHIUSURA RETRO-FIANCO DX WER CROMATO	
063000162.NOV	REAR SIDE RIGHT PROFILE MTT BLACK PAINTED	PROFILO CHIUSURA RETRO-FIANCO DX WER NERO OPACO	
063000162.OTV	REAR SIDE RIGHT PROFILE MTT BRASS PAINTED	PROFILO CHIUSURA RETRO-FIANCO DX WER OTTONE VEF	
063000162.R1023L	REAR SIDE RIGHT PROFILE TRAFFIC YELLOW PAINTED	PROFILO CHIUSURA RETRO-FIANCO DX WER R1023L GIALI	
030200227	LOWER CLOSING FRONT PANEL 2GR LOW WER	CHIUSURA INF. PARETE FRONTALE 2GR. BASSI WER	
030200228	LOWER CLOSING FRONT PANEL 3GR LOW WER	CHIUSURA INF. PARETE FRONTALE 3GR. BASSI WER	
030200232	FRONT PANEL 2GR HIGH	PARETE FRONTALE 2GR. ALTI WER	
030200233	FRONT PANEL 3GR HIGH	PARETE FRONTALE 3GR. ALTI WER	

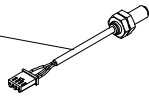




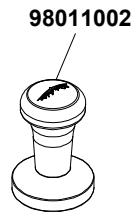
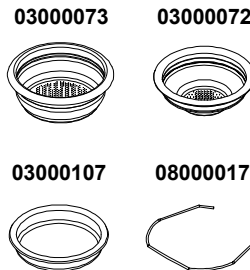
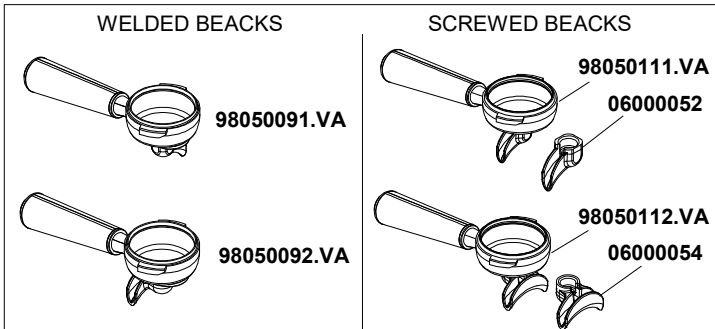
COD.	DESCRIPTION	DESCRIZIONE	VAL.
00000113	S/S CROS SHEAD CAP SCREW M4x6 7985	VITE INOX M4x6 TC TCR 7985	
00000165	S/S SCREW M3x8 TCEI ISO 4762	VITE INOX M3x8 TCEI ISO 4762	
040500121	USB A (F) - USB C (M) 90° CABLE L=300MM (ORIZ)	CAVO USB A (F) - USB C (M) 90° ORIZZONTALE L=300mm	
04901514	SILICONE SERVICE KEYPAD EAGLE ONE	TASTI SILICONE SERVIZI EAGLE ONE	
04901520	ELECTR CNTRL BOARD W/ STEAM LEVER MAT EAGLE ON	SCHEDA ELETTR. CON TAPPETINO LEVA VAPORE EAGLE	
05000037	THREADED RING NUT FOR PANELS M4 X0,7 NYLON WHIT	GHIERA FILETTATA PER PANNELLI M4x0,7 NYLON BIANCO	
053000160	DISPLAY COVER EAGLE TEMPO	COPERCHIO DISPLAY WER	
053000164	SPACER 4,5X8XH9 (N.4 PCS.)	DISTANZIALE 4,5x8xH9 (n.4 pz.)	
063000150	GROUP COVER EAGLE TEMPO	COPRIGRUPPO WER	
063000154	STEAM LEVER EAGLE TEMPO	LEVA VAPORE WER	
063000156	STEAM LEVER SUPPORT EAGLE TEMPO	SUPPORTO LEVA VAPORE WER	
07300784	STEAM LEVER LOCK PIVOT EAGLE ONE	PERNO BLOCCO LEVA VAPORE EAGLE ONE	
08000107	LOCKING SPRING FOR STEAM TAP EAGLE ONE	SEEGER BLOCCO LEVA VAPORE EAGLE ONE	
209000202	DISPENSING CARD EAGLE TEMPO	SCHEDA EROGAZIONE WER	
980100326	GROUP COVER SET + DISPENSING CARD EAGLE TEMPO	ASS. COPRIGRUPPO + SCHEDA EROGAZ. WER	
980600150	STEAM KNOB SET WER	ASS. MANOPOLA VAPORE WER	
981600300	DISPLAY SET WITH CARD + SERVICE KEYS EAGLE TEMP	ASS. DISPLAY CON SCHEDA + TASTI SERVIZI WER	



9816000002090



CODE	DESCRIPTION	DESCRIZIONE
04901296	EXTENSION IND. SENS.	PROLUNGA SENS. IND.



*Specify version
** North America Market



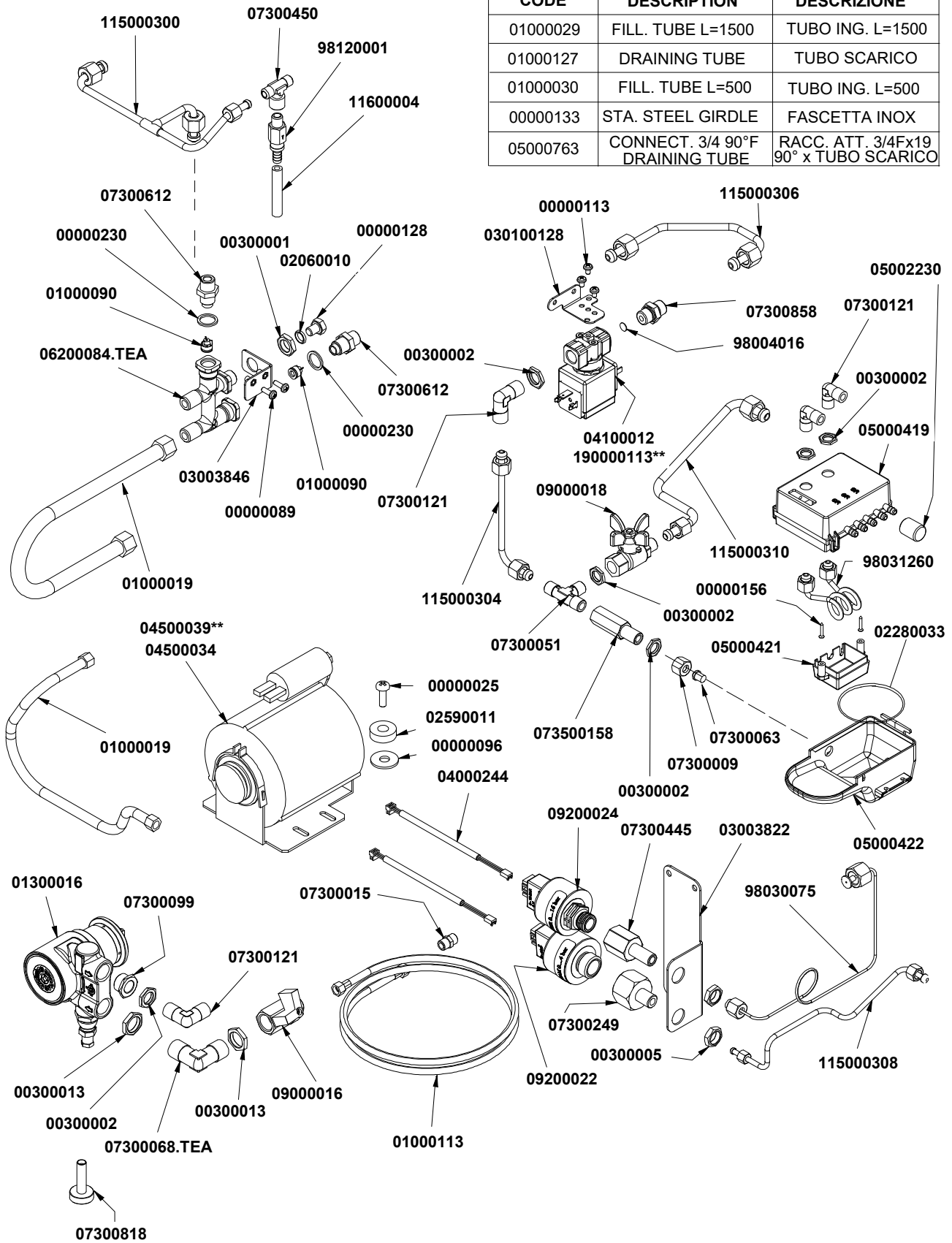
COD.	DESCRIPTION	DESCRIZIONE	VAL.
00000048	SELF-TAPPING SCREW 2.9x4.5 TC/T.CR.	VITE AUTOF 2,9x4,5 TC/T.CR.	
00000113	S/S CROSS HEAD CAP SCREW M4x6 7985	VITE INOX M4x6 TC TCR 7985	
00000118	S/SHEX SOCKET CAP SCREW M4x12 5931	VITE INOX M4x12 TCEI 5931	
00000168	S/S HEXAGON SOCKET HEAD SCREW M6x35 UNI 5931	VITE INOX M6x35 TCEI 5931	
00000175	S/S CROSS HEAD CAP SCREW M4X10	VITE INOX M4x10 TC TCR	
00000197	S/S HEX SOCKET CAP SCREW M6x8 ISO 4762	VITE INOX M6x8 TCEI ISO 4762	
00300021	S/S SLT COUNTERSUNK SCREW M6X18 DIN963	VITE INOX M6x18 TSP TC DIN963	
02280012	GASKET O RING 2093 D.27 EP851	GUARN. OR 2093 D.27 VITON DF 801	
02280032	GASKET O RING 114 D15 EP 851	GUARN. OR 114 D.15 EP 851	
02280033	GASKET O RING 75,92x1,78 NBR XP70	GUARN. OR 75,92x1,78 NBR XP70 2300	
02280044	GASKET O RING 14x1.78 EP851	GUARN. OR 14x1,78 EP851 2056 MS15	
03000004	SINGLE BRACKET FOR THERMOSTAT	STAFFA SINGOLA x TERMOSTATO	
03000066.R	S/S SHOWER REINFORCED	DOCCIA INOX RINFORZATA Aisi304	
03000072	FILTER ONE COFFEE HIGH 7gr	FILTRO 1 CAFFE' ALTO 7gr.	
03000073	FILTER TWO COFFEE HIGH 14gr	FILTRO 2 CAFFE' ALTO 14gr.	
03000107	BLIND FILTER	FILTRO CIECO	
030300100	DISPENSING GROUP ANTI-INTRUSION BRACKET MAVERIK	PIASTRA FISSAGGIO ISOLANTE GR. EROGAZ. GENIUS	
04000198	FOIL HOLDER M 6.3 D 4.2 45°	PRESA LAMELLARE M 6.3 d4.2 45°	
04100017	3WAY SOLENOID DIS BASE 1/8220-230V50/60Hz F1.5 CE	E.V. NC 3VIE BASETTA SCAR. 1/8220-230V 50/60HzRUBY F1	
04900991	GROUP TEMPERATURE PROBE PT1000 AURELIAII TFT	SONDA TEMPERATURA PT1000 GR. AURELIA II "DISPLAY A	
04901296	EXT CABLE INDUCTIVE SENSOR PORTAFILTER AURELIA1	PROLUNGA SENSORE INDUTTIVO "PRESENZA PORTAFILT	
06000052	S/S NOZZLE 1WAY CURVED OPEN	BECCO INOX UNA VIA CURVO OPEN	
06000054	S/S NOZZLE 2WAY CURVED OPEN	BECCO INOX DUE VIE OPEN	
06200081	GROUP RING OR CHROME OT-58	ANELLO GRUPPO +SEDE OR CROMATO OT-58	
06200081.2	GR RING OR CHRME OT-58 - P.FILTER SENSOR EAGLE ON	ANELLO GRUPPO +SEDE OR CROMATO OT-58 PER SENSO	
070000151	Fitting 1/4M-1/8M + OR2056 seat AISI316	RACCORDO 1/4M-1/8M + SEDE OR2056 Aisi316	
07300166	FLANGE BLOCK LOCK SOLENOID HOLDER ADD.07.07.03	FLANGIA CHIUSURA BLOCCHETTO PORTA ELETTRIV.AGG	
07300183.I	GROUP DIFFUSER h=3 S/S Aisi316	PADIGLIONE GRUPPO h=3 INOX Aisi316	
07300864	FITTING 1/4M 1/8M + THREADED M6 Aisi316 + ORING POSI	RACCORDO 1/4M-1/8M + SEDE OR + FILETT.M6 INOXAisi316	
08000017	S/S FILTER LOCKING SPRING	MOLLA BLOCCA FILTRO ACC.INOX	
08000094	FAST. SPRING FOR INSULATION - DISP. GROUP	MOLLA FISSAGGIO ISOLANTE GR. EROGAZ. THERESIA -EA	
09500002	AUTOMATIC THERMOSTAT 125°C WHITE DRIPPING	TERMOSTATO RIARMO AUTO. 125°C GOCCIOLATURA BIAN	
09500024	MANUAL THERMOSTAT 135°C TRIP FREE GREEN DRIPPIN	TERMOSTATO R.MAN. 135°C TRIP FREE GOCCIOLATURAVE	
11600007	RUBBER HOSE TT/NBR 8x12	TUBO GOMMA TT/NBR 6x10	
14100066	CARTRIDGE HEAT. ELEMENT D10x115 300W 230V	RESISTENZA A CARTUCCIA D10x115 300W 230V	
141001201	CARTRIDGE HEAT. ELEMENT D10x98 300W 230V	RESISTENZA A CARTUCCIA D10x98 300W 230V	
180000102	POURING GROUP INSULATION GENIUS	ISOLANTE GRUPPO EROGAZ. GENIUS V.A. MELAMMINA	
180000106	BREWING GROUP-FRAME INSULATION KIT	KIT ISOLANTE GRUPPO EROGAZ.-TELAIO MAYLAR	
190000110	3 WAYS SOLENOID SMALL BASE SCAR. 1/8 208-240V 60Hz	E.V. NC 3VIE BASETTA SCAR. 1/8 208-240V 60Hz F1.5RUBY U	
98011002	ANODISED COFFEE TAMPER BRILLIANT WHITE VA 2009	PRESSA CAFFE' ANOD.ARGENTO V.A. '09	
980400151001	DISPENSING GROUP GENIUS SET VA	ASS. GR. EROG. GENIUS+CAMERA WER NEO	
980400151002	DISPENSING GROUP SET GENIUS VA + AUTOPURGE	ASS. GR. EROG. GENIUS+CAMERA WER NEO + AUTOPURG	
98050091.VA	S/S 1 WAY PORTAFILTER VA HANDLE W/OUT FILTER	CORPO PORTAFILTRO INOX 1 VIA BLOCC.+ MANOPOLA V.A	
98050092.VA	S/S 2 WAYS PORTAFILTER VA HANDLE W/OUT FILTER	CORPO PORTAFILTRO INOX 2 VIE BLOCC.+ MANOPOLA V.A	
98050111.VA	S/S 1 WAY PORTAFILTER VA HANDLE	CORPO PORTAFILTRO INOX 1 VIA + MANOPOLA V.A.	
98050112.VA	S/S 2 WAY PORTAFILTER VA HANDLE	CORPO PORTAFILTRO INOX 2 VIE + MANOPOLA V.A.	
98160000002090	PORTAFILTER PRESENCE SENSOR AURELIA18 W/CONNE	SENSORE PRESENZA PORTAFILTRO AURELIA18 COMPL. D	



COD.	DESCRIPTION	DESCRIZIONE	VAL.
KRIC0001	6pc PK LONGLIFE CONICA GASKET SHEATH AURELIA-VA3	CONFEZIONE 6pz. GUARNIZIONE SOTTOCOPPA CONICA LC	



CODE	DESCRIPTION	DESCRIZIONE
01000029	FILL. TUBE L=1500	TUBO ING. L=1500
01000127	DRAINING TUBE	TUBO SCARICO
01000030	FILL. TUBE L=500	TUBO ING. L=500
00000133	STA. STEEL GIRDLE	FASCETTA INOX
05000763	CONNECT. 3/4 90°F DRAINING TUBE	RACC. ATT. 3/4Fx19 90° x TUBO SCARICO

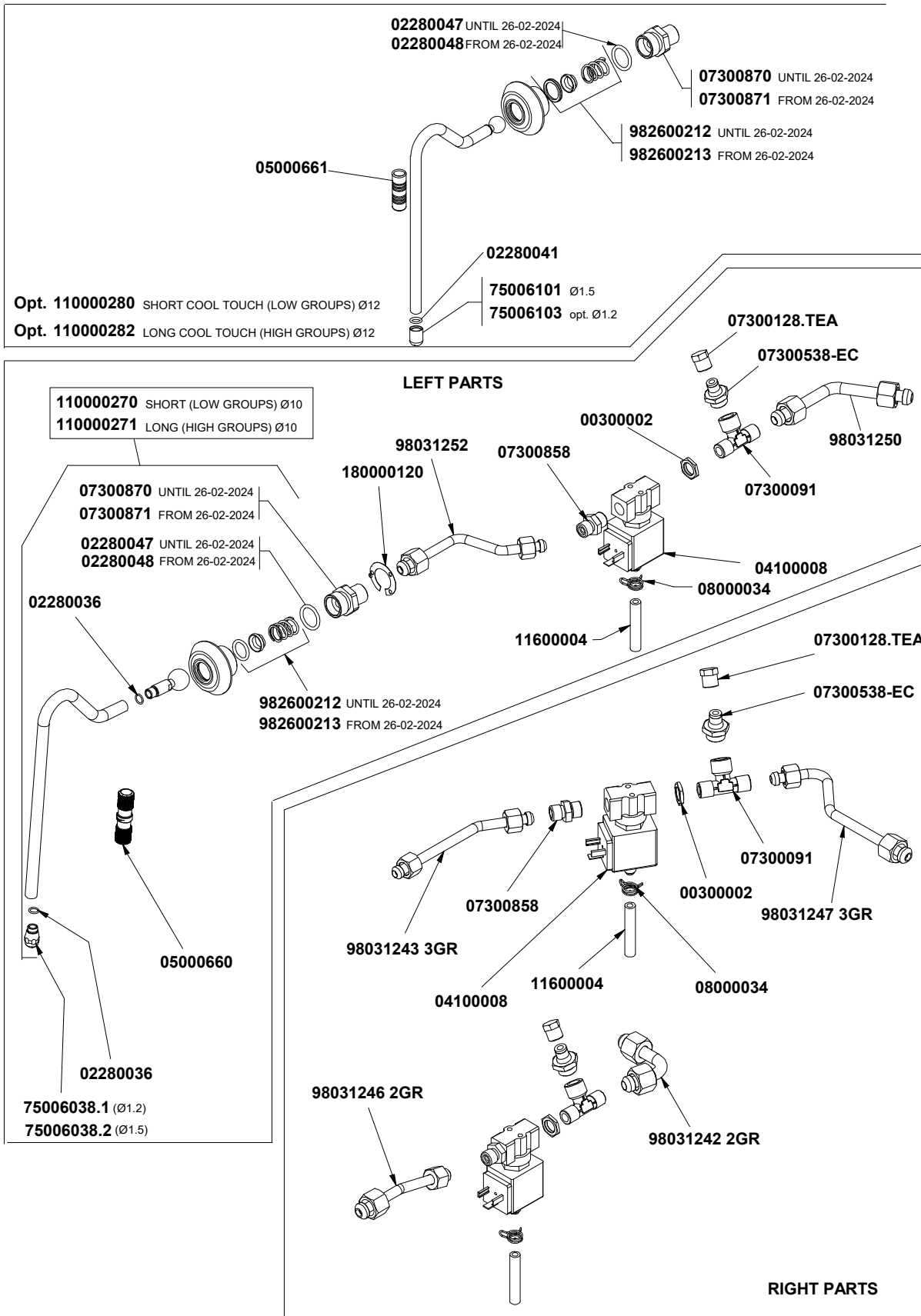




COD.	DESCRIPTION	DESCRIZIONE	VAL.
00000025	GALV CROSS HEAD CAP SCREW AQ M6x20	VITE AQ M6x20 TC T.CR. ZINC	
00000089	S/S CROSSHEAD CAP SCREW M4x12 DIN7985	VITE INOX M4x12 TC TCR DIN7985	
00000096	GALV AQ WASHER M6 6,6x18x1,5	RONDELLA AQ M6 6,6X18X1.5 ZINC	
00000113	S/S CROS SHEAD CAP SCREW M4x6 7985	VITE INOX M4x6 TC TCR 7985	
00000128	S/S HEX CAP SCREW M8x10 THREADED	VITE INOX M8x10 TE TUTTO FIL.	
00000133	S/S CLIP WD12 16-25 C7 W2	FASCETTA INOX WD12 16-25 C7 W2	
00000156	S/S SELF-THREADING SCREW 2.9x19 TCTCR	VITE AUTOF INOX 2,9x19 TC T.CR DIN7981	
00000230	COPPER WASHER SEAL 14X18X1.5	RONDELLA GUARNIZIONE RAME RICOTTO 14x18x1.5	
00300001	BRASS NUT 1/4 GAS D5 CH18	DADO OT 1/4 GAS SPESS.5 CH18 *AGG. 22.07.96	
00300002	BRASS NUT 1/4 D3 CH18	DADO OT 1/4 SPESS.3 CH18 AGG. 22.07.96	
00300005	BRASS NUT 1/8 GAS D4 ADD 22.07.96 CH13	DADO OT 1/8 GAS AGG.22.07.96 SPESS.4 CH13	
00300013	BRASS NUT 3/8 GAS D4 CH20 ADD 22.07.96	DADO OT 3/8 GAS SPESS.4 CH20 AGG.22.07.96	
01000019	S/S FLEXIBLE TUBE 1/4 FF L= 500	TUBO FLESS.INOX 1/4 F-F L=500	
01000029	S/S FLEXIBLE TUBE 3/8 FF L=1500	TUBO FLESS INOX 3/8 F-F L=1500	
01000030	S/S FLEXIBLE TUBE 3/8 FF L=500	TUBO FLESS INOX 3/8 F-F L=500	
01000090	RETAINING VALVE D10	VALVOLINA DI RITEGNO D.10	
01000113	S/S FLEXIBLE TUBE 3/8 90° 3/8 FF L1500	TUBO FLESS INOX 3/8 A 90 F. - 3/8 F. L=1500	
01000127	DIRECT SLEEVE DISCHARGE TUBE D19 L=2m	TUBO SCARICO CON MANICOTTO DIRITTO D.19 L= 2 m	
01300016	S/S VOLUMETRIC PUMP 200 Lt/h	POMPANTE VOLUMETRICO 200 lt/h ACCIAIO	
02060010	COPPER O RING 8.3x13x1.9 ND8	OR RAME 8,3x13xh1,9 DN8	
02280033	GASKET O RING 75,92x1,78 NBR XP70	GUARN. OR 75,92x1,78 NBR XP70 2300	
02590011	PISTON GASKET 14,4X6X4,5 SIL RED SR80	GUARNIZ.PISTONCINO 14,4X6X4,5 SILICONE ROSSO SR 80	
03003822	SUPPORT SHAFT PRESSURE TRANSDUCER EAGLE ONE	STAFFA SUPP. TRASDUTTORI DI PRESSIONE EAGLE ONE	
03003846	HYDRAULIC CROSSPIECE SUPPORT BRACKET	STAFFA SUPP. CROCIERA IDRAUL. EAGLE ONE	
030100128	SUPPORT SOLENOID SELF LEVEL MAVERICK	SUPPORTO E.V. AUTOLIVELLO MAVERICK	
04000244	3POLE CONN CABLE RAST 2.5/MOLEX L = 800mm for PSTY	CAVO COLL.3P RAST 2,5/MOLEX L.800mm x TRASDUTTORI	
04100012	2WAY SOLENOID 1/4-1/4 220-230V50/60hz F1.5 UL TH2xM5	E.V. NC 2VIE 1/4-1/4 220-230V 50/60HZ VITON F1.5CE PIEDIN	
04500034	ELEC ENGINE 230V 50/60Hz 165W	MOTORE ELETTRICO 230V 50/60Hz 165W	
04500039	ELEC ENGINE 220/240V 50/60Hz 165W FOR CSA	MOTORE ELETTRICO 220/240V 50/60Hz 165W (x MACCHINE	
05000419	TRAY PLUG UNDER PLATE VA388 T.E.R.S.	TAPPO VASCHETTA SOTTO PIATTO VA388 PER T.E.R.S.**A	
05000421	INTERNAL CLOSURE TRAY TAP T.E.R.S.	CHIUSURA INTERNA TAPPO VASCHETTA PER T.E.R.S.	
05000422	DRIP TRAY UNDER PLATED VA388	VASCHETTA SOTTO PIATTO VA388	
05000763	CONNECTION 3/4 90°F FOR DRAINING TUBE	RACCORDO ATT. 3/4Fx19 90° x TUBO DI SCARICO	
05002230	DRAIN RUBBER PLUG D8 x 05002228	TAPPO GOMMA SCARICO D.8 x 05002228	
06200084.TEA	5WAY MANIFOLD AURELIA OT-57 USA TEA	CROCIERA 5 VIE "AURELIA" OT-57 USA + TEATURA	
07300009	NUT FITTING 1/4 GAS	DADO RACCORDO 1/4 GAS	
07300015	FITTING 3/8 3/8 GAS OT-58 ADD. 26.06.96	RACCORDO 3/8 3/8 GAS OT-58 AGG. 26.06.96	
07300051	FITTING T 1/4 M-M-M CYLIN.	RACCORDO T 1/4 M-M-M CILIN.	
07300063	CLOSED TERMINAL D11	TERMINALE CHIUSO D.11 OT-58	
07300068.TEA	CYLINDRICAL ELBOW FITTING G3/8" M/M	RACCORDO L 3/8 M-M CILIN. OT-57 + TEATURA	
07300099	FITTING ADAPTER 3/8-1/4 ES. 20 ADD. 29.05.96	RIDUZIONE 3/8-1/4 ES.20 AGG. 29.05.96	
07300121	FITTING L 1/4 M-M CYLIND ADD. 18.02.97	RACCORDO L 1/4 M-M CILINDRICOAGG. 18.02.97	
07300249	FITTING 1/8M L = 12 3/8F	RACCORDO 1/8M L=12 3/8F	
07300445	FITTING 1/8M L = 20 1/4F for SENSOR	RACCORDO 1/8M L=20 1/4F x SENSORE	
07300450	FITTING T 1/8 M-F-M OT-57	RACCORDO T 1/8 M-F-M OT-57	
07300612	FITTING 1/4 1/4 GAS WITH ORING + RETURN VALVE LOCK	RACCORDO 1/4 1/4 GAS CON OR + BLOCCA VALVOLINARIT	
07300818	PUMP REGISTER KNOB AURELIA II NICKEL	POMELLO REGISTRO POMPANTE AURELIA II NIKELATO	

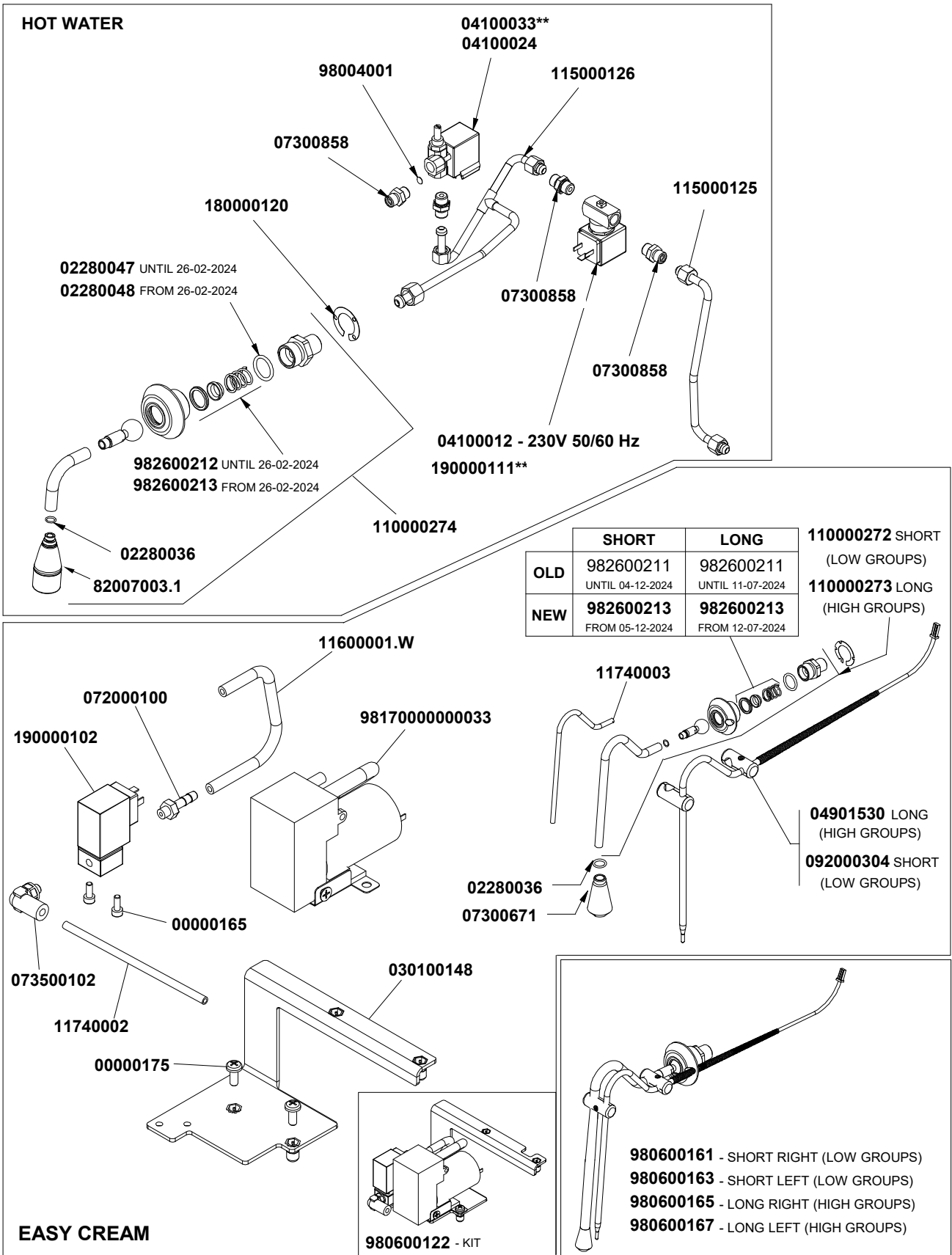


COD.	DESCRIPTION	DESCRIZIONE	VAL.
07300858	FITTING 1/4M-1/4M OT-57 USA	RACCORDO 1/4M-1/4M OT-57 USA	
073500158	DRAIN TAP EXTENTION WER	PROLUNGA RUBINETTO SCARICO WER	
09000016	SPHERE TAP - NETWORK CONNECTION 3/8 M-F MINI	RUBINET. SFERA ALLACCIO RETE 3/8 M-F MINI	
09000018	DISPENSING SPHERE TAP 1/4 M-F "BUTTERFLY"	RUBINET. SFERA DISTRIBUTORE 1/4 M-F A FARFALLA	
09200022	PRESSURE TRANSDUCER 0-4 BAR 3/8	TRASDUTTORE DI PRESSIONE 0-4 BAR 3/8	
09200024	PRESSURE TRANSDUCER 0-16 BAR 1/4	TRASDUTTORE DI PRESSIONE 0-16 BAR 1/4	
115000300	MANIFOLD TUBE - FLOWMETERS COLL. + EV MIXER EAGLE	TUBO CROCIERA - COLL. DOSATORI+ EV MISCELATORE W	
115000304	E.V. TUBE LEVEL - TAP EAGLE TEMPO	TUBO E.V. LIVELLO - RUBINETTO WER	
115000306	MANIFOLD TUBE - E.V. AUTOLEVEL EAGLE TEMPO	TUBO CROCIERA - E.V. AUTOLIVELLO WER	
115000308	BOILER PRESSURE SENSOR PIPE EAGLE TEMPO NEO	TUBO SENSORE PRESSIONE CALDAIA WER NEO	
115000310	BOILER LOAD PIPE EAGLE TEMPO NEO	TUBO CARICO CALDAIA WER NEO	
11600004	SILICONE PIPE 5x9 60Sh PEROX WHITE SEMITRASPAREN	TUBO SILICONE 5x9 70Sh PEROX TRASPARENTE(1mt=50gr)	
190000113	2 WAYS SOLENOID 1/4-1/4 208-240V 60Hz FKM F1.5 UL NSF	E.V. NC 2VIE 1/4-1/4 208-240V 60Hz FKM F1,5 UL NSF	
98004016	S/S FILTER D12	FILTRO INOX DIAM. 12	
98030075	CAPILLARY TUBE 1/8-1/4 0,9X2X400 GAUGE-PUMP	TUBO CAPILLARE 1/8-1/4 0,9x2x400 MANOM.-POMPA	
98031260	SPIRAL TUBE FOR T.E.R.S	TUBO SPIRALE PER T.E.R.S.	
98120001	NEPLAX VITON 16,5 BAR VALVE 1/8 HOSE CLAMP	VALVOLA NEPLAX VITON 16,5 BAR 1/8 - PORTAGOMMA	



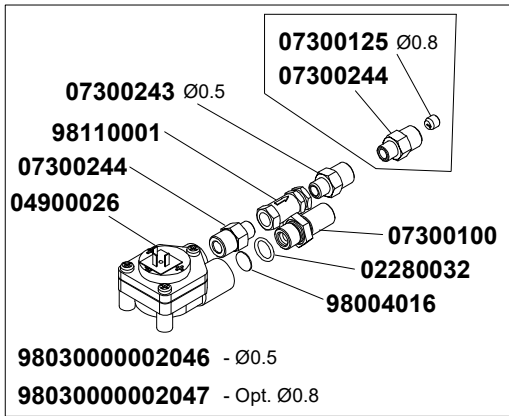


COD.	DESCRIPTION	DESCRIZIONE	VAL.
00300002	BRASS NUT 1/4 D3 CH18	DADO OT 1/4 SPESS.3 CH18 AGG. 22.07.96	
02280036	O RING FOR STEAM WAND NOZZLE D6x1.2 EPDM70 500 P	GUARN. OR x BECCO LANCIA VAP. DI 6x1.2 EPDM70(CONF.	
02280041	GASKET ORING2031 7,65x,78 XP70	GUARN. OR 2031 7,65x1,78 XP70	
02280047	O-RING GASKET 17,86X2,62 NBR	GUARN. OR 17,86x2,62 NBR	
02280048	O-RING GASKET 20,29X2,62 NBR	GUARN. OR 20,29x2,62 NBR	
04100008	3WAY SOLENOID 1/4-1/4 1/8 240V50/60hz F3 UL TH2xM5	E.V. NC 3VIE 1/4-1/4 SCAR. 1/8 220V 50Hz-240V 60HzRUBY F	
05000660	RUBBER PROTECTION STEAM WAND D.10	GOMMINO PROTEZIONE LANCIA D.10 EAGLE ONE	
05000661	RUBBER PROTECTION STEAM WAND D.12	GOMMINO PROTEZIONE LANCIA D.12	
07300091	T FITTING MFM 1/4 CYLIN.	RACCORDO T 1/4 M-F-M CILIN.	
07300128.TEA	PLUG 1/4 GAS+THEATURE	TAPPO 1/4 GAS AGG.31.01.89 OT-57 + TEATURA	
07300538	RAPID FITTING 1/4 STRAIGHT D4	RACCORDO RAPIDO 1/4 DIRITTO D4	
07300858	FITTING 1/4M-1/4M OT-57 USA	RACCORDO 1/4M-1/4M OT-57 USA	
07300870	JUNCTION 3/8 STEAM-WATER WAND EAGLE ONE	RACC. 3/8 LANCIA SNODATA VAPORE-ACQUA EAGLE ONE	
07300871	JUNCTION 3/8 STEAM-WATER WAND WER	RACC. 3/8 LANCIA SNODATA VAPORE-ACQUA "MOLLA RINF	
08000034	HOSE CLAMP D12	FASCETTA STRINGITUBO D12	
110000270	SHORT STEAM WAND KIT	KIT LANCIA VAPORE CORTA WER "MOLLA RINF."	
110000271	LONG STEAM WAND KIT	KIT LANCIA VAPORE LUNGA WER "MOLLA RINF."	
110000280	KIT D.12 SHORT COLD STEAM WAND	KIT LANCIA VAPORE FREDDA D.12 CORTA WER "MOLLA RI	
110000282	KIT D.12 LONG COLD STEAM WAND	KIT LANCIA VAPORE FREDDA D.12 LUNGA WER "MOLLARIN	
11600004	SILICONE PIPE 5x9 60Sh PEROX WHITE SEMITRASPAREN	TUBO SILICONE 5x9 70Sh PEROX TRASPARENTE(1mt=50gr)	
180000120	STEAM-WATER INSULATION EAGLE TEMPO	ISOLANTE LANCE VAPORE-ACQUA WER	
75006038.1	STEAM NOZZLE M8,65X0,75 F1,2 ESAG.12	BECCO VAPORE M8,65x0,75 F. 1,2 ESAG.12	
75006038.2	STEAM NOZZLE M8,65x0,75 F. 1,5 ESAG.12	BECCO VAPORE M8,65x0,75 F. 1,5 ESAG.12	
75006101	STEAM NOZZLE "BLK PEEK D.12" 1/8 4HOLE D1,5	BECCO VAPORE "PEEK NERO D.12" 1/8" FEMMINA F. 1,5	
75006103	STEAM NOZZLE "BLK PEEK D.12" 1/8 4HOLE D1,2	BECCO VAPORE "PEEK NERO D.12" 1/8" FEMMINA F. 1,2	
98031242	RIGHT EASYCREAM SOLENOID-BOILER TUBE EAGLE ONE	TUBO CALDAIA - E.V. VAPORE DX 2GR. EAGLE ONE - WER	
98031243	RIGHT EASYCREAM SOLENOID-BOILER TUBE EAGLE ONE	TUBO CALDAIA - E.V. VAPORE DX 3GR. EAGLE ONE - WER	
98031246	EASYCREAM SOLENOID TUBE - RIGHT WAND EAGLE ONE	TUBO E.V. VAPORE - LANCIA DX 2GR. EAGLE ONE - WER	
98031247	EASYCREAM SOLENOID TUBE - RIGHT WAND EAGLE ONE	TUBO E.V. VAPORE - LANCIA DX 3GR. EAGLE ONE - WER	
98031250	LEFT EASYCREAM SOLENOID -BOILER TUBE EAGLE ONE	TUBO CALDAIA - E.V. VAPORE SX EAGLE ONE - WER	
98031252	EASYCREAM SOLENOID TUBE - LEFT WAND EAGLE ONE	TUBO E.V. VAPORE - LANCIA SX EAGLE ONE - WER	
982600212	WAND KIT WER (OR-COMPASS-SPRING)	KIT RICAMBIO LANCIA WER (OR-BUSSOLA-MOLLA)** AD ES	
982600213	WAND KIT WER (OR-COMPASS-SPRING)	KIT RICAMBIO LANCIA WER "MOLLA RINF." (OR-BUSSOLA-N	

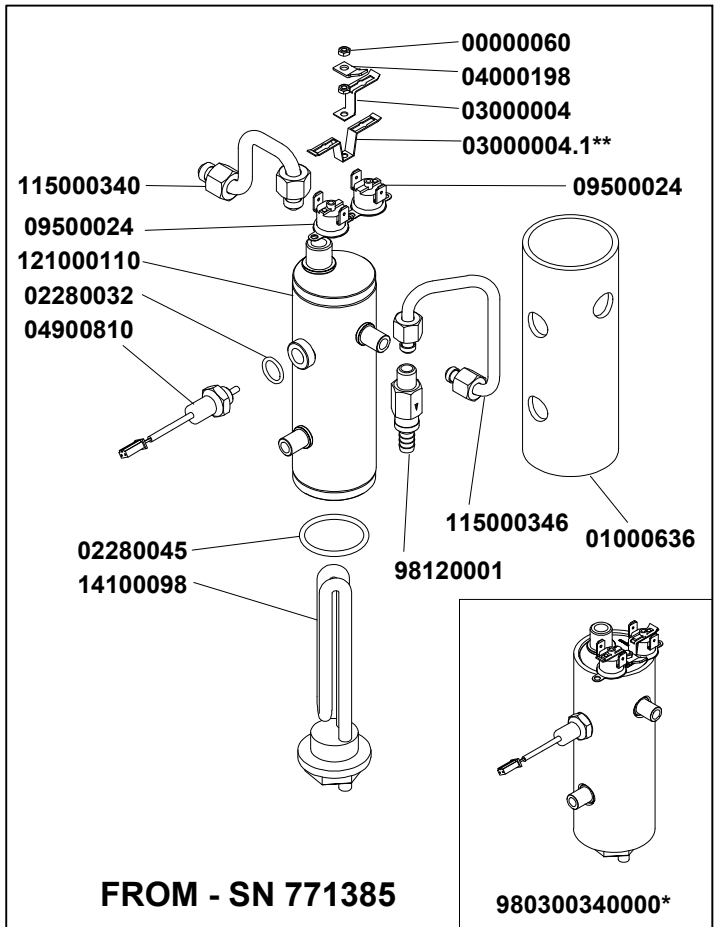
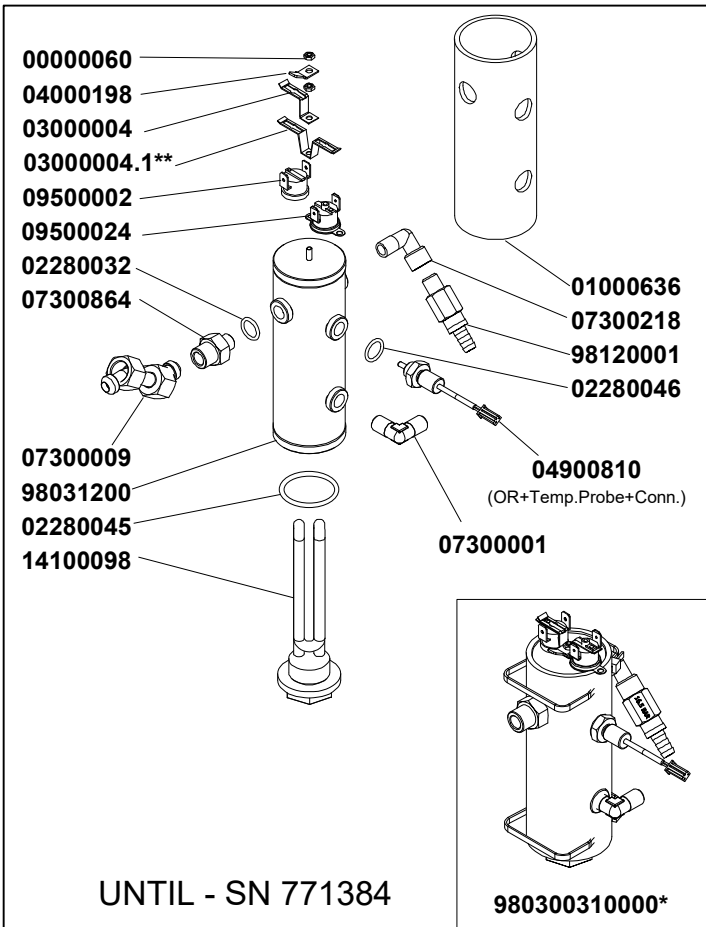
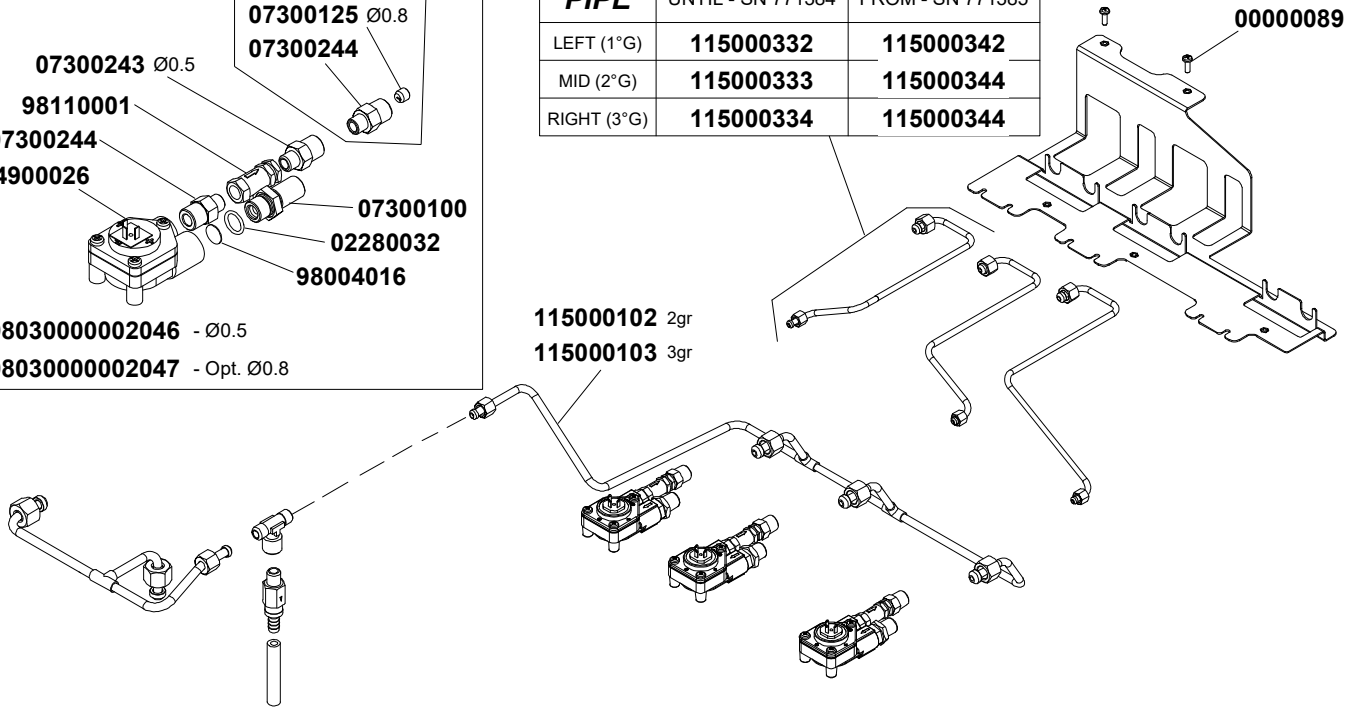




COD.	DESCRIPTION	DESCRIZIONE	VAL.
00000165	S/S SCREW M3x8 TCEI ISO 4762	VITE INOX M3x8 TCEI ISO 4762	
00000175	S/S CROSS HEAD CAP SCREW M4X10	VITE INOX M4x10 TC TCR	
02280036	O RING FOR STEAM WAND NOZZLE D6x1.2 EPDM70 500 P	GUARN. OR x BECCO LANCIA VAP. DI 6x1.2 EPDM70(CONF.	
02280047	O-RING GASKET 17,86X2,62 NBR	GUARN. OR 17,86x2,62 NBR	
02280048	O-RING GASKET 20,29X2,62 NBR	GUARN. OR 20,29x2,62 NBR	
030100148	SUPPORT COMPRESSOR MAVERICK	SUPPORTO COMPRESSORE MAVERICK - WER	
04100012	2WAY SOLENOID 1/4-1/4 220-230V50/60hz F1.5 UL TH2xM5	E.V. NC 2VIE 1/4-1/4 220-230V 50/60HZ VITON F1.5CE PIEDIN	
04100024	2WAY SOLENOID 1/4 REGUL 90° 230V50/60Hz F3 CE	E.V. NC 2VIE 1/4 REGOLAT. 90° 230V 50/60Hz F.3 CE	
04100033	2WAY SOLENOID 1/4 REGUL 90° 230/240V 50/60Hz F3 UL C	E.V. NC 2VIE 1/4 REGOLAT. 90° 230/240V 50/60Hz F3UL CAN	
04901530	PT1000 PROBE STEAM WAND EAGLE ONE + 2 SUPP.	SONDA PT1000 x LANCIA VAPORE EAGLE ONE 2-3GR.+2 SU	
072000100	RUBBER CLAMP M5 M5 L GIR. D4	PORTAGOMMA M5 DIRITTO	
07300671	EASYCREAM NOZZLE 4HOLES TALENTO - AURELIA II	BECCO EASYCREAM 4 FORI TALENTO / AURELIA II	
07300858	FITTING 1/4M-1/4M OT-57 USA	RACCORDO 1/4M-1/4M OT-57 USA	
073500102	RAPID FITTING	RACCORDO RAPIDO M5 L GIR. D4	
092000304	PROBE PT1000 FOR "SHORT" STEAM LANCE +2 SUPP. EA	SONDA PT1000 x LANCIA VAPORE "CORTA" WER+2 SUPP.	
110000272	SHORT "EASY CREAM" WAND KIT	KIT LANCIA "EASY CREAM" CORTA WER "MOLLA RINF."	
110000273	LONG "EASY CREAM" WAND KIT	KIT LANCIA "EASY CREAM" LUNGA WER "MOLLA RINF."	
110000274	HOT WATER WAND KIT	KIT LANCIA ACQUA CALDA WER "MOLLA RINF."	
115000125	BOILER - HOT WATER SOLENOID TUBE	TUBO CALDAIA USCITA ACQUA "T2" - E.V. ACQUA CALDAM	
115000126	HOT WATER MAINFOLD MIX MAVERICK	CROCIERA MISCELATORE ACQUA CALDA MAVERICK - WER	
11600001.W	WHITE SILICONE PIPE 4x7,5 60Sh(1mt=41gr) PLATINICO SE	TUBO SILICONE BIANCO4x7,5 60Sh(1mt=41gr) PLATINICO SE	
11740002	CALIBRATED TEFLON PIPE 4/2,5 TRASPARENT (ROLLS OF	TUBO TEFLON 4/2,5 CALIBRATO TRASPARENTE (ROTOLI D	
11740003	CALIBRATED TEFLON PIPE 6/4 50m	TUBO TEFLON NSF 6/4 CALIBRATO1 matassa = 50mt	
180000120	STEAM-WATER INSULATION EAGLE TEMPO	ISOLANTE LANCE VAPORE-ACQUA WER	
190000102	2 WAYS SOLENOID AIR PROPORTIONAL	E.V. NC 2VIE 24V CC PROPORZIONALE ARIAMICROEV. 0,8	
190000111	2 WAYS SOLENOID 1/4-1/4 208-240V 60Hz RUBY F3 UL NSF	E.V. NC 2VIE 1/4-1/4 208-240V 60Hz RUBY F3 UL NSF 121KH	
82007003.1	HOTWATER DIFFUSER D23,5 F1/8 WITH S/S AERATOR	ROMPIGETTO ACQUA CALDA D.23,5 F 1/8" CON AERATORE	
98004001	S/S FILTER D8	FILTRO INOX DIAM. 8	
980600122	SUPPORT+ E.V. EASY CREAM SET MAVERICK - WER	ASS. SUPP.+ E.V. 24V EASY CREAM MAVERICK - WER -AWF	
980600161	EASY CREAM SHORT RIGHT WAND KIT + PROBE	ASS. LANCIA EASY CREAM DX CORTA WER + SONDA"MOLLA	
980600163	EASY CREAM SHORT LEFT WAND KIT + PROBE	ASS. LANCIA EASY CREAM SX CORTA WER + SONDA"MOLLA	
980600165	EASY CREAM LONG RIGHT WAND KIT + PROBE	ASS. LANCIA EASY CREAM DX LUNGA WER + SONDA"MOLLA	
980600167	EASY CREAM LONG LEFT WAND KIT + PROBE	ASS. LANCIA EASY CREAM SX LUNGA WER + SONDA"MOLLA	
98170000000033	MICROCOMPRESSOR + SUPPORT SET TALENTO	ASS. SUPPORTO + MICROCOMPRESSORE ARIA	
982600211	WAND KIT WER (OR-COMPASS-SPRING)	KIT RICAMBIO LANCIA EASY C. WER (OR-BUSSOLA-MOLLA	
982600212	WAND KIT WER (OR-COMPASS-SPRING)	KIT RICAMBIO LANCIA WER (OR-BUSSOLA-MOLLA)** AD ES	
982600213	WAND KIT WER (OR-COMPASS-SPRING)	KIT RICAMBIO LANCIA WER "MOLLA RINF." (OR-BUSSOLA-N	

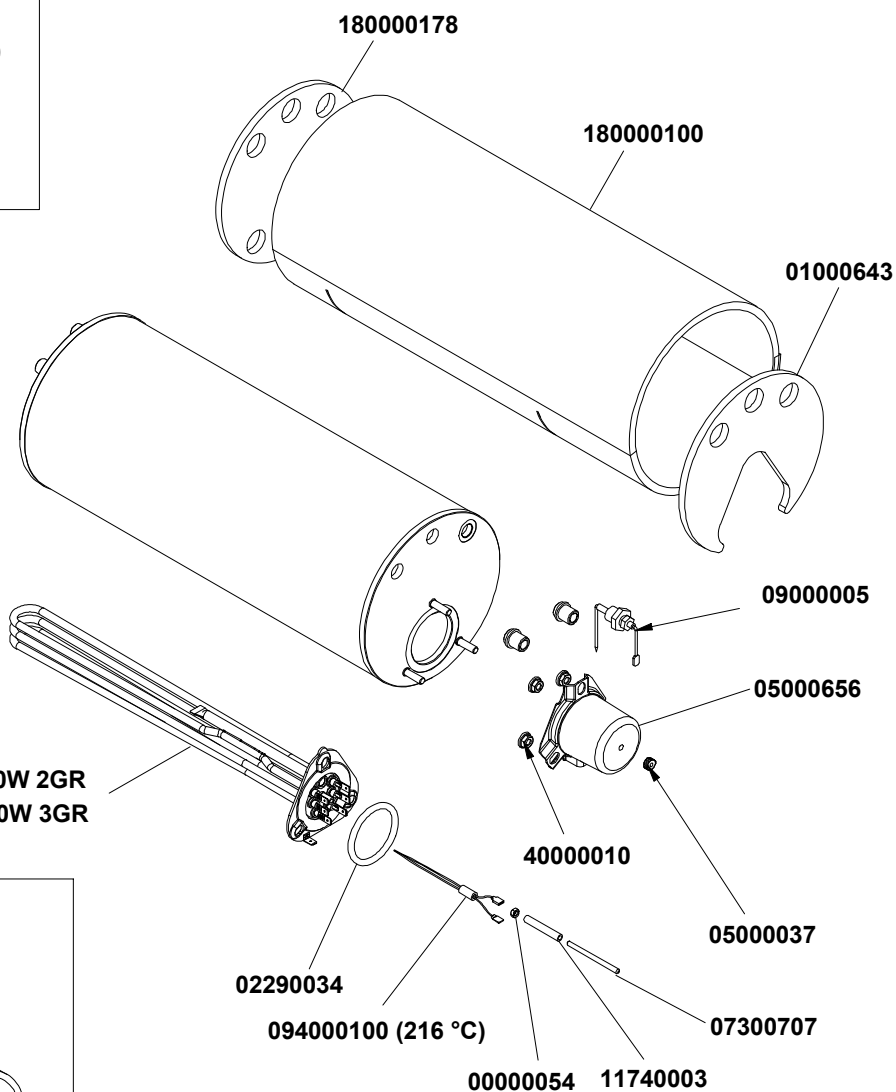
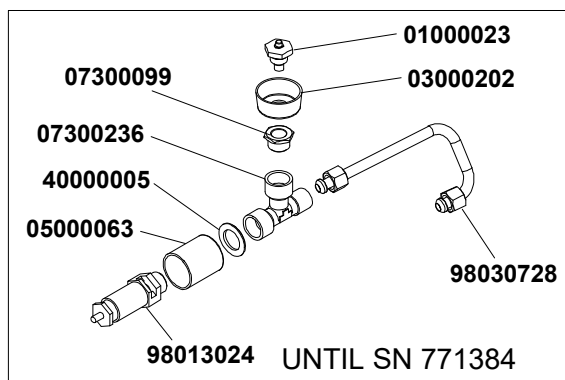
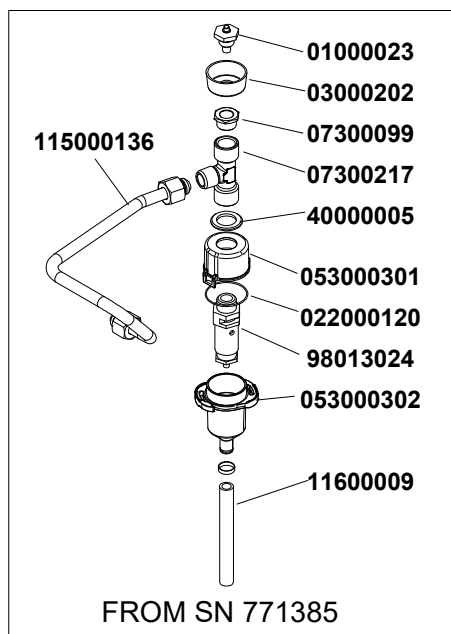


PIPE	UNTIL - SN 771384	FROM - SN 771385
LEFT (1°G)	115000332	115000342
MID (2°G)	115000333	115000344
RIGHT (3°G)	115000334	115000344

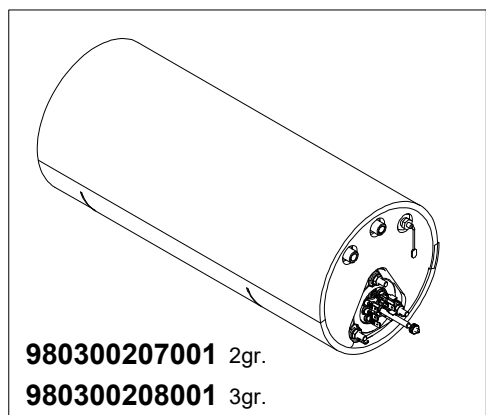




COD.	DESCRIPTION	DESCRIZIONE	VAL.
00000060	GALV MEDIUM NUT AQ M3	DADO AQ M3 MEDIO ZINCATO	
00000089	S/S CROSSHEAD CAP SCREW M4x12 DIN7985	VITE INOX M4x12 TC TCR DIN7985	
01000636	COFFEE BOILER INSULATION EAGLE ONE	ISOLANTE CALDAIA CAFFE' NEO	
02280032	GASKET O RING 114 D15 EP 851	GUARN. OR 114 D.15 EP 851	
02280045	GASKET O RING 29,82x2,62 EPDM	GUARN. OR 29,82x2,62 EPDM	
02280046	GASKET O RING 012/2037 9.25x1.78 NBR	GUARN. OR 012/2037 D.9,25x1,78 NBR	
03000004	SINGLE BRACKET FOR THERMOSTAT	STAFFA SINGOLA x TERMOSTATO	
03000004.1	DOUBLE BRACKET FOR THERMOSTAT	STAFFA DOPPIA x TERMOSTATO	
04000198	FOIL HOLDER M 6.3 D 4.2 45°	PRESA LAMELLARE M 6.3 d4.2 45°	
04900026	BRASS FLOWMETER 1/4-1/4GAS -ATT. HEAD 2,8x0,5F 1,2 "	DOSATORE VOLUMETRICO OTT. 1/4-1/4GAS -ATT. TEST.2,8	
04900810	TEMPERATURE PROBE 150 1/8 S/S CONN. 3x8	SONDA TEMPERATURA 150 ATT.1/8 INOX 3x8 AMP MODUIS	
07300001	L FITTING 1/8 M-M 459	RACCORDO L 1/8 M-M(dimens. L 24 mm)	
07300009	NUT FITTING 1/4 GAS	DADO RACCORDO 1/4 GAS	
07300100	DISCHARGE ATTACHMENT 1/4 1/4 OT-57 USA	ATTACCO SCAR. 1/4-1/4 OT-57 USA	
07300125	GIGLEUR M8x8 F.0,8 OT-57 +TEA	GIGLER M8x8 F.0,8 OT-57 +TEA	
07300218	FITTING L 1/8 M-F 458	RACCORDO L 1/8 M-F 458	
07300243	FITTING 1/4M 1/8M GIGLER F.0,5	RACCORDO 1/4M-1/8M + SEDE OR + GIGLER F.0,5 INOXAisi303	
07300244	FITTING 1/4M 1/8M + THREADED M8 Aisi303	RACCORDO 1/4M-1/8M + SEDE OR + FILETT.M8 INOXAisi303	
07300864	FITTING 1/4M 1/8M + THREADED M6 Aisi316 + ORING POSI	RACCORDO 1/4M-1/8M + SEDE OR + FILETT.M6 INOXAisi316	
09500002	AUTOMATIC THERMOSTAT 125°C WHITE DRIPPING	TERMOSTATO RIARMO AUTO. 125°C GOCCIOLATURA BIAN	
09500024	MANUAL THERMOSTAT 135°C TRIP FREE GREEN DRIPPIN	TERMOSTATO R.MAN. 135°C TRIP FREE GOCCIOLATURAVE	
115000102	CONN.MANIFOLD-FLOWMETER 2 GR MAVERICK	CROCIERA COLLEG. DOSATORI 2GR MAVERICK - WER	
115000103	CONN.MANIFOLD-FLOWMETER 3 GR MAVERICK	CROCIERA COLLEG. DOSATORI 3GR MAVERICK - WER	
115000332	FLOWMETER TUBE - COFFEE BOILER GR.1	TUBO DOSATORE - CALDAIA CAFFE' GRUPPO 1 WER	
115000333	FLOWMETER TUBE - COFFEE BOILER GR.2	TUBO DOSATORE - CALDAIA CAFFE' GRUPPO 2 WER	
115000334	FLOWMETER TUBE - COFFEE BOILER GR.3	TUBO DOSATORE - CALDAIA CAFFE' GRUPPO 3 WER	
115000340	PIPE - COFFEE BOILER / GROUP	TUBO CALDAIA CAFFE' RACC.SALDATI - GRUPPO WER -EA	
115000342	PIPE - FLOWMETER / COFFEE BOILER GR.1	TUBO DOSATORE - CALDAIA CAFFE' RACC.SALDATI GRUP	
115000344	PIPE - FLOWMETER / COFFEE BOILER GR.2-3	TUBO DOSATORE - CALDAIA CAFFE' RACC.SALDATI GRUP	
115000346	PIPE - COFFEE BOILER / NEPLAX VALVE	TUBO CALDAIA CAFFE' - VALVOLA NEPLAX WER -EAGLE O	
14100098	HEATING ELEMENT 3/4 600W 230V INCOLOY800	RESISTENZA 3/4 600W 230V INCOLOY800	
98004016	S/S FILTER D12	FILTRO INOX DIAM. 12	
98030000002046	FLOWMETER T3 EXTERNAL GIGLER 0,5 SET	ASSIEME DOSATORE (GICAR) T3 "GIGLER ESTERNO F.0,5"	
98030000002047	FLOWMETER T3 EXTERNAL GIGLER 0,8 SET	ASSIEME DOSATORE (GICAR) T3 "GIGLER ESTERNO F.0,8"	
980300310001	COFFEE BOILER EAGLE TEMPO NEO	ASS. CALDAIA CAFFE' NEO	
980300340001	COFFEE BOILER WELDING FIT EAGLE TEMPO NEO	ASS. CALDAIA CAFFE' NEO RACC. SALDATI	
98031200	S/S WELDED COFFEE BOILER D42,5	CALDAIA SALD. ACCIAIO INOX D.42,5 CAFFE'	
98110001	RETURN VALVE 1/8 F-FOT-58	VALVOLA RITEGNO COMPL. 1/8 F-F OT-58	
98120001	NEPLAX VITON 16,5 BAR VALVE 1/8 HOSE CLAMP	VALVOLA NEPLAX VITON 16,5 BAR 1/8 - PORTAGOMMA	
980300340001	COFFEE BOILER WELDING FIT EAGLE TEMPO NEO	ASS. CALDAIA CAFFE' NEO RACC. SALDATI	

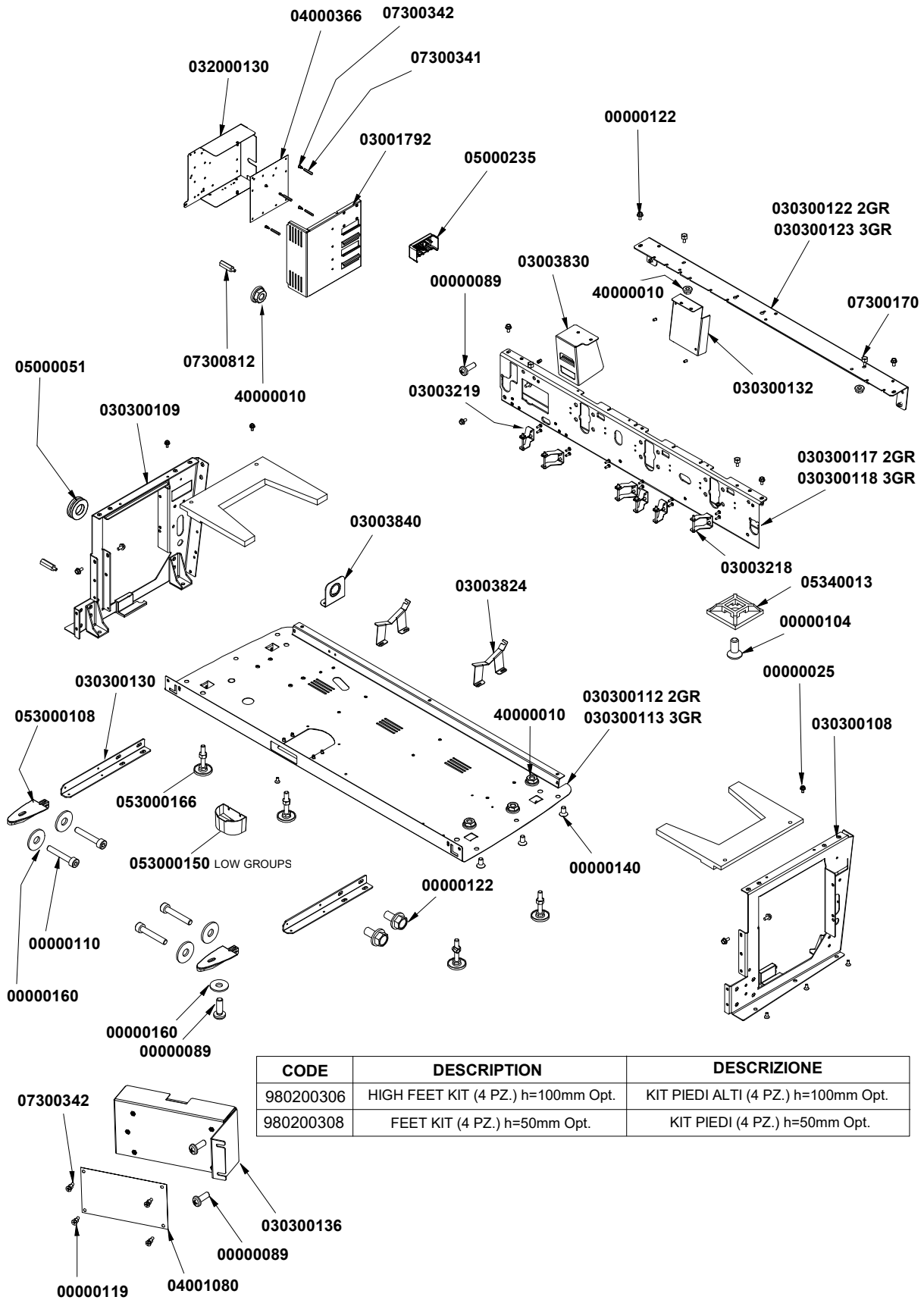


141001100 4000W 2GR
 141001102 4500W 3GR





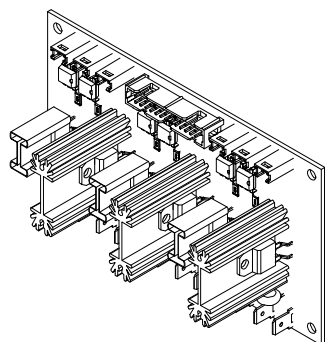
COD.	DESCRIPTION	DESCRIZIONE	VAL.
00000054	GALV HIGH NUT M4	DADO AQ M4 ALTO ZINCATO	
01000023	ANTI VACUUM VALVE	VALVOLINA SFIATO	
01000643	INSULATION D.160 RIGHT MELAMINE STEAM BOILER	ISOLANTE D.160 DX CALDAIA VAPORE 8LT MELAMMINAEAC	
022000120	GASKET ORING 34.5x1	GUARN. OR 34,5x1,00	
02290034	GASKET O RING 6187 D47x5,34 VITON FDA	GUARN. OR 6187 D.47x5,34 VITON FDA	
03000202	CONDENSATION TRAY MASTER	VASCHETTA RACCOGLI CONDENSA AGG. 07.06.97	
05000037	THREADED RING NUT FOR PANELS M4 X0,7 NYLON WHIT	GHIERA FILETTATA PER PANNELLI M4x0,7 NYLON BIANCO	
05000063	SAFETY VALVE COVER PA6	COPRI VALVOLA SICUREZZA PA6	
05000656	CYLINDRICAL RESISTANCE COVER EAGLE ONE	COPRI RESISTENZA CILINDRICO EAGLE ONE	
053000301	SAFETY VALVE COVER BODY	CORPO COPRI VALVOLA SICUREZZA	
053000302	SAFETY VALVE COVER CLOSURE Ø8	CHIUSURA COPRI VALVOLA SICUREZZAPER TUBO D.8	
07300099	FITTING ADAPTER 3/8-1/4 ES. 20 ADD. 29.05.96	RIDUZIONE 3/8-1/4 ES.20 AGG. 29.05.96	
07300217	FITTING A T 3/8 F-M-F 462	RACCORDO A T 3/8 F-M-F 462	
07300236	T FITTING 3/8 M-F-F 466	RACCORDO A T 3/8 M-F-F	
07300707	BRASS THREADED PIVOT M4X60	PERNO OTTONE FILETTATO M4x60	
09000005	COMPLETE AUTOLEVEL PROBE L=130	SONDA AUTOLIVELLO COMP. L=130	
094000100	HEATING ELEMENT THERMAL PROTECTION 216°C E5 MIC	TERMOPROTETTORE X RESIST. E5 216°C MICR 2 GUAIN(E)	
11740003	CALIBRATED TEFLON PIPE 6/4 50m	TUBO TEFLON NSF 6/4 CALIBRATO1 matassa = 50mt	
141001100	S/S RESISTANCE FLANGE 4000W 230V	RESISTENZA FLANGIA INOX 4000W 230V	
141001102	S/S RESISTANCE FLANGE 4500W 230V	RESISTENZA FLANGIA INOX 4500W 230V	
180000100	STEAM BOILER INSULATOR MAVERICK	ISOLANTE CALDAIA VAPORE D.160 9LT MELAMMINA	
180000178	STEAM BOILER INSULATOR D.160 LEFT	ISOLANTE D.160 SX CALDAIA VAPORE DOPPIA COPPA	
40000005	BRASS WASHER 27x17x2 ROUGH	RONDELLA OT 27x17x2 GREZZA	
40000010	NUT M6 W/ WELDED GALV WASHER	DADO AQ M6 RONDELLA SALDATA ZINCATO	
98013024	SAFETY VLVE C10 3BAR 3/8 VITON 97/23/CE CAT.IV H1OT-	VALVOLA SICUREZZA C10 3 BAR 3/8" VITON 97/23/CECAT.IV	
980300207001	STEAM BOILER SET 2GR.	ASS. CALDAIA 2GR. VAPORE D.160 9LT DOPPIA COPPA	
980300208001	STEAM BOILER SET 3GR	ASS. CALDAIA 3GR. VAPORE D.160 9LT DOPPIA COPPA	
98030728	CONNECTION PIPE SAFETY VALVE APPIA19 2-3GR.	TUBO COLL. VALVOLA SICUREZZA APPIA19 2-3GR.	



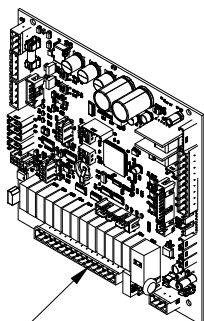
CODE	DESCRIPTION	DESCRIZIONE
980200306	HIGH FEET KIT (4 PZ.) h=100mm Opt.	KIT PIEDI ALTI (4 PZ.) h=100mm Opt.
980200308	FEET KIT (4 PZ.) h=50mm Opt.	KIT PIEDI (4 PZ.) h=50mm Opt.



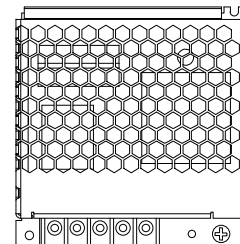
COD.	DESCRIPTION	DESCRIZIONE	VAL.
00000025	GALV CROSS HEAD CAP SCREW AQ M6x20	VITE AQ M6x20 TC T.CR. ZINC	
00000089	S/S CROSSHEAD CAP SCREW M4x12 DIN7985	VITE INOX M4x12 TC TCR DIN7985	
00000104	S/S CROSSHEAD COUNTERSUNK SCREW M4x10 DIN965	VITE INOX M4x10 TSP TCR DIN965	
00000110	S/S CROSS HEAD CAP SCREW M4x20 7985	VITE INOX M4x20 TC TCR 7985	
00000119	SS CROSS HEAD COUNTERSUNK SCREW M4x6 ISO 7046	VITE INOX M4x6 TSPTCR ISO 7046	
00000122	WHITE GALV FLANGED KNURLED HEX CAP SCREW 8.8 M	VITE AQ 8.8 M6x12 TE FLANG. ZIGR. ZINC. BIANCO	
00000140	S/S HEX SOCKET COUNTERSUNK SCREW M6x12	VITE INOX M6x12 TSPEI	
00000160	S/S WASHER D4X12 UNI 6593	RONDELLA INOX D4x12x1 UNI 6593	
03001792	CONTROL BOARD COVER AURELIA	CHIUSURA CENTRALINA AURELIA	
03001794	CONTROL BOARD CASE AURELIA	CONTENITORE CENTRALINA AURELIA	
03003218	RIGHT SUPPORT COVER GROUP VA388	LAMIERA DX SUPP. COPRIGRUPPO VA	
03003219	LEFT SUPPORT COVER GROUP VA388	LAMIERA SX SUPP. COPRIGRUPPO VA	
032000130	CONTROL BOARD CASE 2023	CONTENITORE CENTRALINA 2023	
053000150	DRAIN TRAY EXTENSION EAGLE TEMPO	PROLUNGA VASCHETTA SCARICO WER	
053000166	MACHINE FOOT WER BICOMPONENT M10X65 MALE INSEF	PIEDE MACCHINA WER BICOMPONENTE INSERTO M10x65M	
980200306	EAGLE TEMPO HIGH FEET KIT (4 PCS.)	KIT PIEDI ALTI EAGLE TEMPO(4 PZ.)	
980200308	EAGLE TEMPO FEET 5cm KIT (4 PCS.)	KIT PIEDI 5CM EAGLE TEMPO(4 PZ.)	
03003824	SUPPORT BOILER	SUPPORTO CALDAIA EAGLE ONE	
03003830	REMOTE SWITCH SUPPORT	SUPPORTO TELERUTTORE EAGLE ONE	
03003840	CABLE GLAND SUPPORT BRACKET	STAFFA SUPP. PRESSACAVO EAGLE ONE	
030300108	RIGHT FRAME SIDE EAGLE TEMPO	FIANCO TELAIO DX WER	
030300109	LEFT FRAME SIDE EAGLE TEMPO	FIANCO TELAIO SX WER	
030300112	SUPPORTING BASE 2GR. EAGLE TEMPO	BASAMENTO PORTANTE 2GR. WER	
030300113	SUPPORTING BASE 3GR. EAGLE TEMPO	BASAMENTO PORTANTE 3GR. WER	
030300117	GROUP HOLDER WALL 2GR. EAGLE TEMPO	PARETE PORTAGRUPPI 2GR. WER	
030300118	GROUP HOLDER WALL 3GR. EAGLE TEMPO	PARETE PORTAGRUPPI 3GR. WER	
030300122	REAR UPPER CROSSBAR 2GR EAGLE TEMPO	TRAVERSA SUP. POSTERIORE 2GR. WER	
030300123	REAR UPPER CROSSBAR 3GR EAGLE TEMPO	TRAVERSA SUP. POSTERIORE 3GR. WER	
030300130	WATER COLLECTOR PLATE GUIDE EAGLE TEMPO	GUIDA PIATTO RACCOGLIACQUA WER	
030300132	POWER SUPPLY SUPPORT EAGLE TEMPO	SUPPORTO ALIMENTATORE WER	
030300136	SINGLE BOILER CONTROL UNIT SUPPORT EAGLE TEMPO	SUPPORTO CENTRALINA UNICA CALDAIE WER	
04000366	PVC MAIN BOARD PROTECTION AURELIA	PROTEZIONE CENTRALINA AURELIA	
04001080	MACHINE CONTROL UNIT PROTECTION T3	PROTEZIONE CENTR. CONTROLLO MACCHINE T3	
05000051	BLACK DG 11 MEMBRANE CABLE DUCT	PASSACAVO A MEMBRANA DG11 NERO	
05000235	CLAMP COVER FOR WIRING	COPRI MORSETTO CABLAGGI	
053000108	FLAT WATER DRIP TRAY MAVERICK	APPOGGIO PIATTO RACCOGLIACQUA MAVERICK	
05340013	SMALL BASE 19X19 FOR BAND WITH SCREW HOLE M4	BASETTA 19x19 PER FASCETTA CON FORO PER VITE M4	
07300170	FRONTAL FASTENING EXTENSION ADD.22.07.92	PROLUNGA FISSAGGIO FRONTALE AGG.22.07.92	
07300341	CENTRAL LOCK VIP S/S NICKEL PLATE L=35 ADD.29.01.98	PERNO BLOCC. CENTRAL. VIP INOXNICHELATO L=35AGG.2	
07300342	NICKEL PLATED CONTROL UNIT SUPPORT PIN	PERNO SUPPORTO CENTRAL. VIP NICHELATO	
07300812	EXTENTION FOR CUP WARMER FASTENING AURELIA II	PROLUNGA FISSAGGIO SCALDATAZZE AURELIA II	
40000010	NUT M6 W/ WELDED GALV WASHER	DADO AQ M6 RONDELLA SALDATA ZINCATO	



04901340



200000150

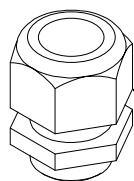


046000300

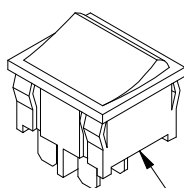
CODE	DESCRIPTION	DESCRIZIONE
04000244	3POLE CONN CABLE RAST 2.5/MOLEX L = 800mm for PSTY	CAVO COLL.3P RAST 2,5/MOLEX L.800MM for PSTY
04000332	EXT L=85 + FASTON F-F A FLAG AWG18 BROWN	CAVALLOTTO L=85 + FASTON F-F
04000380	CUPWARMER SENS. CONN CABLE L=100 F-F	CAVO COLL. SONDA SCALDATAZZE L=100cm
04000432	FLAT CABLE 26WAY CNTRL BOARD - PID BOARD TFT	CAVO 26 VIE COLL. CENTR-CENTR CALDAIE
04000893	EXTEN CABLE L=600 2WAY CONN AMP TYP MODE II M-F	CAVO PROLUNGA L=600 CONNETTORI 2VIE
04000912	EXTEN CABLE L=380 2WAY CONN AMP TYP MODE II M-F	CAVO PROLUNGA L=380 CONNETTORI 2VIE
04000914	EXTEN CABLE L=2160 2WAY CONN AMP TYP MODE II M-F	CAVO PROLUNGA L=2160 CONNETTORI 2VIE
04001148	CONN CABLE DISPENSING BOARD-TAP BOARD	CAVO COLL. SCHEDA EROG. -SCHEDA RUBIN.
04001165	LED WIRING 2GR	CABLAGGIO LUCI 2GR
04001166	LED WIRING 3GR	CABLAGGIO LUCI 3GR
040500302	WIRING 2GR HIGH VOLTAGE	CABLAGGIO 2GR ALTA TENSIONE
040500303	WIRING 3GR HIGH VOLTAGE	CABLAGGIO 3GR ALTA TENSIONE
040500307	WIRING 2GR LOW VOLTAGE	CABLAGGIO 2GR BASSA TENSIONE
040500308	WIRING 3GR. LOW VOLTAGE	CABLAGGIO 3GR BASSA TENSIONE
040500116	ADDITION WIRING EASYCREAM	SUPPL. CABLAGGIO EASYCREAM



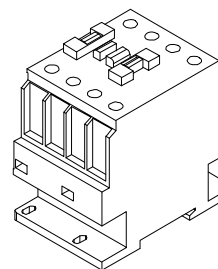
COD.	DESCRIPTION	DESCRIZIONE	VAL.
040500302	WIRING 2GR. HIGH VOLTAGE EAGLE TEMPO NEO	CABLAGGIO 2GR. WER NEO ALTA TENSIONE	
040500303	WIRING 3GR. HIGH VOLTAGE EAGLE TEMPO NEO	CABLAGGIO 3GR. WER NEO ALTA TENSIONE	
04000244	3POLE CONN CABLE RAST 2.5/MOLEX L = 800mm for PSTY	CAVO COLL.3P RAST 2,5/MOLEX L.800mm x TRASDUTTORI	
04000332	EXT L=85 + FASTON F-F A FLAG AWG18 BROWN	CAVALLOTTO L=85 + FASTON F-F A BANDIERA AWG18MAR	
04000380	CUPWARMER SENSOR CONN CABLE AURELIA L=100MOD	CAVO COLL. SONDA SCALDATAZZE AURELIA L=100cm MOI	
04000432	FLAT CABLE 26WAY CNTRL BOARD - PID BOARD TFT	CAVO 26 VIE COLL. CENTR-CENTR CALDAIE "DISPLAY ACC	
04000893	EXTEN CABLE L=600 2WAY CONN AMP TYP MODE II M-F	CAVO PROLUNGA L=600 CONNETTORI 2VIE TIPO AMP MOD	
04000912	EXTEN CABLE L=380 2WAY CONN AMP TYP MODE II M-F	CAVO PROLUNGA L=380 CONNETTORI 2VIE TIPO AMP MOD	
04000914	EXTEN CABLE L=2160 2WAY CONN AMP TYP MODE II M-F	CAVO PROLUNGA L=2160 CONNETTORI 2VIE TIPO AMP MO	
04001148	CONN CABLE DISPENSING BOARD-TAP BOARD EAGLE ON	CAVO COLL. SCHEDA EROGAZIONE -SCHEDA RUBINETTIE	
04001165	LED WIRING EAGLE ONE 2GR	CABLAGGIO LUCI 2GR. EAGLE ONE	
04001166	LED WIRING EAGLE ONE 3GR	CABLAGGIO LUCI 3GR. EAGLE ONE	
040500116	ADDITION WIRING EASYCREAM MAVERICK	SUPPL. CABLAGGIO EASY CREAM MAVERICK - WER	
040500307	WIRING 2GR. LOW VOLTAGE EAGLE TEMPO NEO	CABLAGGIO 2GR. WER NEO BASSA TENSIONE	
040500308	WIRING 3GR. LOW VOLTAGE EAGLE TEMPO NEO	CABLAGGIO 3GR. WER NEO BASSA TENSIONE	
046000300	TRANSFORMER 24V 75W LRS-75-24	TRASFORMATORE 24V 75WLM75-20B24 / LRS-75-24	
04901340	CENTRAL BOARD T3 MACHINE CONTROL	CENTR. CONTROLLO MACCHINE T3	
200000150	MAIN BOARD EAGLE TEMPO	CENTRALINA WER - EAGLE ONE	



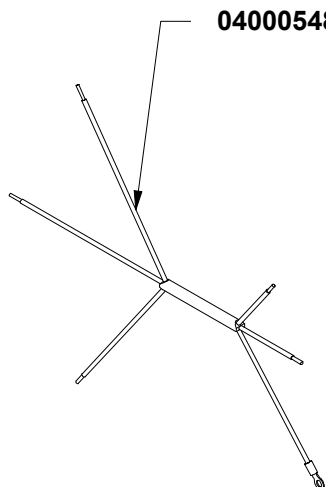
05000089



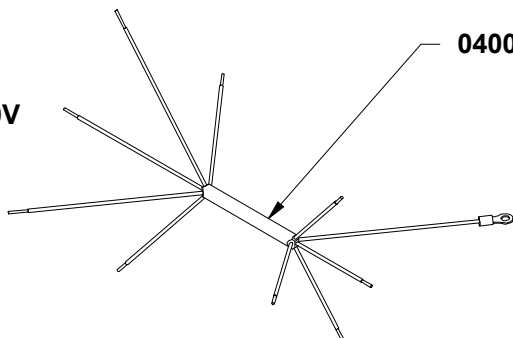
04200057



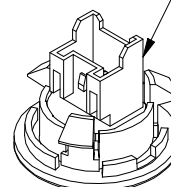
04200070 2GR
04200072 3GR



04000548 230V

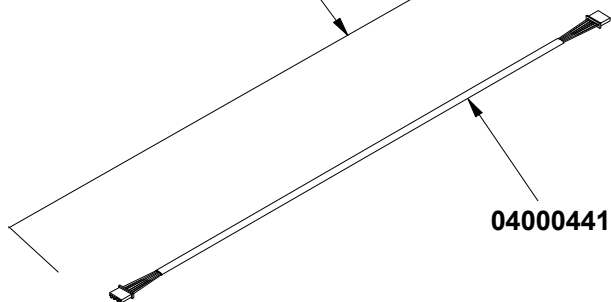


04000543 380V

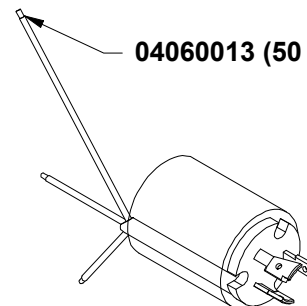
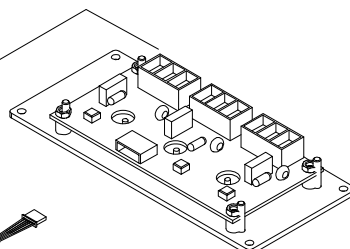


04000470

981600401



04000441



04060013 (50 A)**

** North America Market
Mercato Nord America

CODE	DESCRIPTION	DESCRIZIONE
04000386	CUPWARMER WIRING 2GR	CABLAGGIO SCALDATAZZE 1 TEMP. 2GR
04000387	CUPWARMER WIRING 3GR	CABLAGGIO SCALDATAZZE 1 TEMP. 3GR



COD.	DESCRIPTION	DESCRIZIONE	VAL.
04000386	CUP WARMER CABLING 1 TEMP 2GR AURELIA II DIGIT-T3	CABLAGGIO SCALDATAZZE 1 TEMP. 2GR. AURELIA IIDIGIT-	
04000387	CUPWARM WIRING 1 TEMP 3GR AURELIA II DIGIT-T3	CABLAGGIO SCALDATAZZE 1 TEMP 3GR. AURELIA IIDIGIT-T	
04000441	CABLE CONNECT. TRIAC BOILER L=1900	CAVO COLLEG. TRIAC CALDAIA L=1900	
04000470	12VDC LED SPOT AURELIA WAVE	LED AURELIA18 12V	
04000543	ELEC. CABLE 5x2,5 H07RN-F CB450/750V 2,5mt ICEL	CAVO ELETTR. 5x2,5 H07RN-F CB450/750V 2,5mt ICEL	
04000548	ELECTRICAL CABLE 3x6 H07RN-F CB L=2,5mt ICEL	CAVO ELETTR. 3x6 H07RN-F CB L=2,5mt -> ICEL <-	
04060013	CABLE+PLUG AWG3x10 SJOOW UL/CSA 50A 250V NEMA6	CAVO ALIM. AWG3x10 SJOOW 90°C UL/CSA 2mt SPINA USA	
04200057	DBL POWER BIPOLAR BIG SWITCH 10A UL 22X19 AURELIA	INTERRUT. ACCENSIONE BIPOL. GRANDE 10A UL 22x19AUF	
04200070	4POLE CONTACTOR 32 A CE/UL COIL 230V	CONTATTORE QUADRIPOLORE 32A CE/UL BOBINA 230V	
04200072	4POLE CONTACTOR 45A CE/UL COIL 230V	CONTATTORE QUADRIPOLORE 45A CE/UL BOBINA 230V	
05000089	CABLE DUCT TEC-S M25 WITH NUT	PRESSACAVO TEC-S M25 CON DADO	
981600401	BT TRIAC BOARD KIT	ASSIEME SCHEDA BT TRIAC	



INSPIRED BY YOUR PASSION.

Simonelli Group s.p.a.
Via E. Betti, 1 - 62020 Belforte
del Chienti - (MC) Italy
Tel. +39 0733.950243 - Fax +39
0733.850247
e-mail: info@victoriaarduino.com
com www.victoriaarduino.com