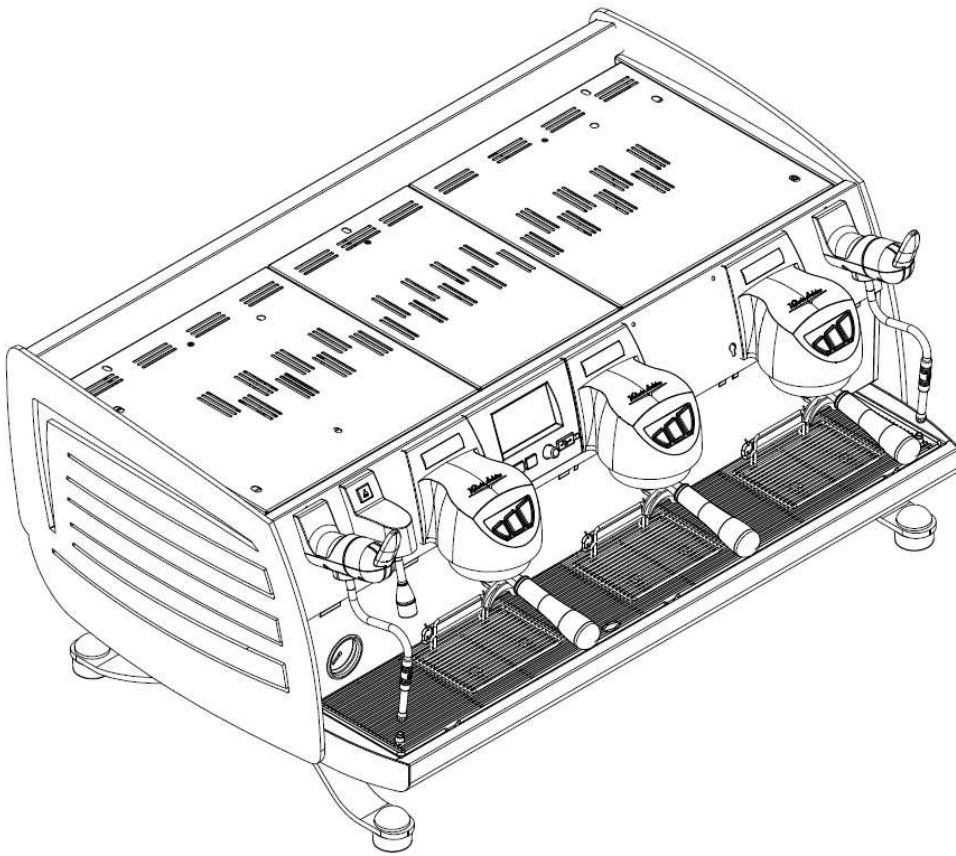


SPARE PARTS BOOK



18/11/2024

Victoria Arduino

INSPIRED BY YOUR PASSION.



INSPIRED BY YOUR PASSION.

- T.01 **CABINET PARTS**
COMPONENTI GRUPPO CARENA
- T.02 **CONTROL PANEL ASSEMBLY**
ASSIEME PULSANTIERA
- T.03 **POURING UNIT GROUP PARTS**
COMPONENTI GRUPPO EROGAZIONE
- T.04 **STEAM AND HOT WATER PARTS**
COMPONENTI VAPORE E ACQUA CALDA
- T.05 **MIXER PARTS AND STEAM PIPES**
COMPONENTI MISCELATORE E TUBI VAPORE
- T.06 **T3 BOILER GROUP (UNTIL 17-03-2016)**
GRUPPO CALDAIE T3 (FINO AL 17-03-2016)
- T.06-bis **T3 BOILER GROUP (FROM 18-03-2016)**
GRUPPO CALDAIE T3 (DAL 18-03-2016)
- T.07 **COPPER PIPES (FROM 18-03-2016)**
TUBAZIONI RAME (DAL 18-03-2016)
- T.08 **HYDR. GROUP PARTS (UNTIL 17-03-2016)**
PARTI GRUPPO IDRAULICO (FINO AL 17-03-2016)
- T.08-bis **HYDR. GROUP PARTS (FROM 18-03-2016)**
PARTI GRUPPO IDRAULICO (DAL 18-03-2016)
- T.09 **PUMP GROUP PARTS**
COMPONENTI GRUPPO POMPA

» LEGEND :

THE CODES WRITTEN IN BOLD REFER TO THE COMPONENTS
EMPLOYED CURRENTLY.

THE CODES USED BEFORE ARE WRITTEN IN CORSIVE WITH INDICATED,
ON THE SIDE, THE END OF VALIDITY DATE.

EXAMPLE:

03001531 - 01/09/2007

03001531



INSPIRED BY YOUR PASSION.

T.09-bis **PARTS OLD HYDR. SYSTEM (TO 04-12-2014)**

PARTI VECCHIO IMP. IDR. (AL 04-12-2014)

T.10 **FRAME PARTS**

PARTI TELAIO

T.11 **ELECTRIC AND ELECTRONIC PARTS**

PARTI ELETTRICHE ED ELETTRONICHE

T.12 **AUTOMATIC SCALE PARTS**

COMPONENTI BILANCIA

T.13 **EASY CREAM PARTS**

COMPONENTI EASY CREAM

» LEGEND :

THE CODES WRITTEN IN BOLD REFER TO THE COMPONENTS
EMPLOYED CURRENTLY.

THE CODES USED BEFORE ARE WRITTEN IN CORSIVE WITH INDICATED,
ON THE SIDE, THE END OF VALIDITY DATE.

EXAMPLE:

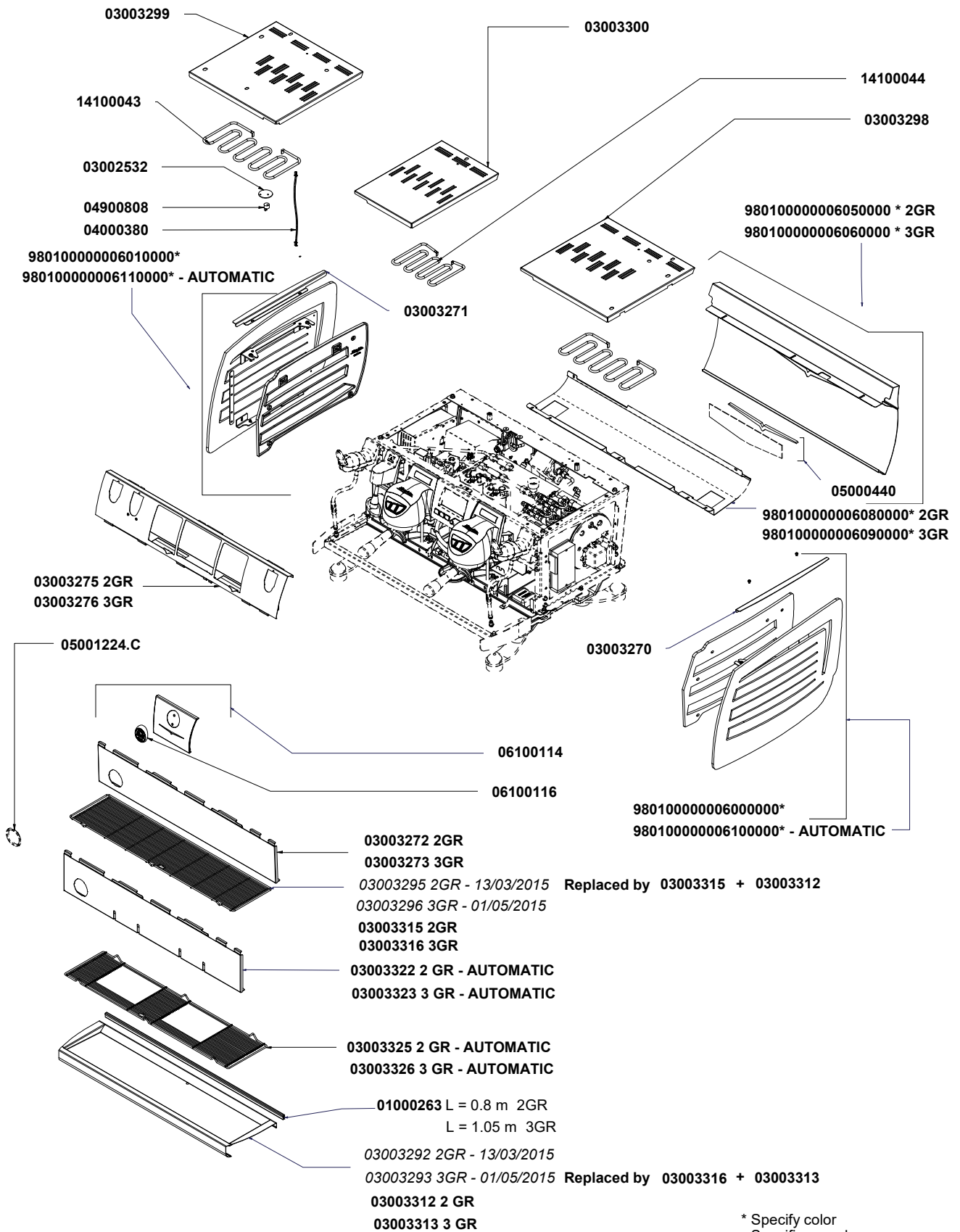
03001531 - 01/09/2007

03001531



COMPONENTI GRUPPO CARENA

CABINET PARTS



INSPIRED BY YOUR PASSION.



COMPONENTI GRUPPO CARENA

CABINET PARTS

COD.	DESCRIPTION	DESCRIZIONE	VAL.
01000263	RUBBER PROFILE GASKET FOR PLATE	GUARNIZIONE PROFILO IN GOMMA PER PIATTO	
03002532	CUP WARMER TEMPERATURE PROBE PLATE	PIASTRINA SENSORE TEMPERATURA SCALDATAZZE	
03003270	RIGHT UPPER LATERAL FRAME VA388	MOSTRINA SUP. FIANCO DX VA388	
03003271	LEFT UPPER LATERAL FRAME VA388	MOSTRINA SUP. FIANCO SX VA388	
03003272	LOWER FRONT PANEL 2 GR VA388	PARETE FRONTALE INF. 2GR VA388	
03003273	LOWER FRONT PANEL 3 GR VA388	PARETE FRONTALE INF. 3GR VA388	
03003275	UPPER FRONT PANEL 2 GR VA388	PARETE INVOLUCRO COMANDI 2GR VA388	
03003276	UPPER FRONT PANEL 3 GR VA388	PARETE INVOLUCRO COMANDI 3GR VA388	
03003296	WORKTOP NET 3GR VA388	RETINA PIANO LAVORO 3GR. VA388 **AD ESAURIMENTODI	
03003298	RIGHT CUP PANEL/CUP WARMER VA388	PORTATAZZE SUPER. DX VA388	
03003299	LEFT CUP PANEL/CUP WARMER VA388	PORTATAZZE SUPER. SX VA388	
03003300	CENTRAL CUP PANEL/CUP WARMER VA388	PORTATAZZE SUPER. CENTR. VA388	
03003312	DEEP DRAIN TRAY 2GR VA388	PIATTO RACCOGLIACQUA PROFONDO 2GR. VA388	
03003313	DEEP DRAIN TRAY 3GR VA388	PIATTO RACCOGLIACQUA PROFONDO 3GR. VA388	
03003315	WORKTOP GRILL DEEP 2 GR VA388	RETINA PIANO LAVORO PROFONDO 2GR. VA388	
03003316	WORKTOP GRILL DEEP 3G R VA388	RETINA PIANO LAVORO PROFONDO 3GR. VA388	
03003322	BOTTOM COVER PANEL 2 GR VA388 SCALE	PARETE FRONTALE INF. 2GR VA388 PER BILANCE	
03003323	BOTTOM COVER PANEL 3 GR VA388 SCALE	PARETE FRONTALE INF. 3GR VA388 PER BILANCE	
03003325	WORKTOP GRILL DEEP 2 GR VA388 SCALE	RETINA PIANO LAVORO PROFONDO 2GR. VA388 PERBILAN	
03003326	WORK GRILL DEEP 3 GR VA388 SCALE	RETINA PIANO LAVORO PROFONDO 3GR. VA388 PERBILAN	
04000380	CUPWARMER SENSOR CONN CABLE AURELIA L=100MOD	CAVO COLL. SONDA SCALDATAZZE AURELIA L=100cm MOD	
04900808	CUPWARMER TEMPERATURE PROBE AURELIA	SONDA TEMPERATURA SCALDATAZZE AURELIA	
R04900808	KIT-CUPWARMER TEMPERATURE PROBE - 2Pcs	KIT-SONDA TEMPERATURA SCALDATAZZE - 2Pz	
05000440	BACK PANEL LOGO VA388 COMPLETE W/ SUPPORT	LOGO POSTERIORE VA388 COMPLETO DI SUPPORTO	
05001224.C	WATER GAUGE PLATE AURELIA II CHROME	MOSTRINA MANOMETRO AURELIA II CROMATA	
06100114	CLOSED CASING W/ LOGO VA388 3GR CHROME	CARTER CHIUSO CROMATO CON LOGO VA388 3GR.	
06100116	ROUND LOGO VA388	LOGO CIRCOLARE VA388	
14100043	CUPWARMER HEATING ELEMENT L=303 150W 230V	RESISTENZA SCALDATAZZE L=303 150W 230V	
14100044	CUPWARMER HEATING ELEMENT L=188 100W 230V	RESISTENZA SCALDATAZZE L=188 100W 230V	
980100000006000001	RIGHT SIDE PANEL SET STEELUX	ASS. FIANCO DX VA388 STEELUX	
980100000006000002	RIGHT SIDE PANEL SET BLACK	ASS. FIANCO DX VA388 NERO	
980100000006000003	RIGHT SIDE PANEL SET WHITE	ASS. FIANCO DX VA388 BIANCO	
980100000006010001	LEFT SIDE PANEL SET STEELUX	ASS. FIANCO SX VA388 STEELUX	
980100000006010002	LEFT SIDE PANEL SET BLACK	ASS. FIANCO SX VA388 NERO	
980100000006010003	LEFT SIDE PANEL SET WHITE	ASS. FIANCO SX VA388 BIANCO	
980100000006050001	BACK PANEL SET 2GR STEELUX+SUP.BLACK	ASS. RETRO VA388 2GR. STEELUX+SUP. NERO	
980100000006050002	BACK PANEL SET 2GR STEELUX+SUP.STEELUX	ASS. RETRO VA388 2GR. STEELUX+SUP. STEELUX	
980100000006050003	BACK PANEL SET 2GR STEELUX+SUP.WHITE	ASS. RETRO VA388 2GR. STEELUX+SUP. BIANCO	
980100000006060001	BACK PANEL SET 3GR STEELUX+SUP.STEELUX	ASS. RETRO VA388 3GR. STEELUX+SUP. STEELUX	
980100000006060002	BACK PANEL SET 3GR STEELUX+SUP.BLACK	ASS. RETRO VA388 3GR. STEELUX+SUP. NERO	
980100000006060003	BACK PANEL SET 3GR STEELUX+SUP.WHITE	ASS. RETRO VA388 3GR. STEELUX+SUP. BIANCO	
980100000006060004	BACK PANEL SET VA388 3GR BLACK+SUP.BLACK	ASS. RETRO VA388 3GR. NERO+SUP. NERO	
980100000006080001	INFERIOR BACK PANEL SET VA388 2GR	ASS. RETRO INFERIORE VA388 2GR. STEELUX	
980100000006080002	INFERIOR BACK PANEL SET VA388 2GR BLACK	ASS. RETRO INFERIORE VA388 2GR. NERO	
980100000006080005	INFERIOR BACK PANEL SET VA388 2GR WHITE	ASS. RETRO INFERIORE VA388 2GR. BIANCO	
980100000006090001	INFERIOR BACK PANEL SET VA388 3GR	ASS. RETRO INFERIORE VA388 3GR. STEELUX	
980100000006090002	INFERIOR BACK PANEL SET VA388 3GR BLACK	ASS. RETRO INFERIORE VA388 3GR. NERO	



INSPIRED BY YOUR PASSION.

T.01



COMPONENTI GRUPPO CARENA

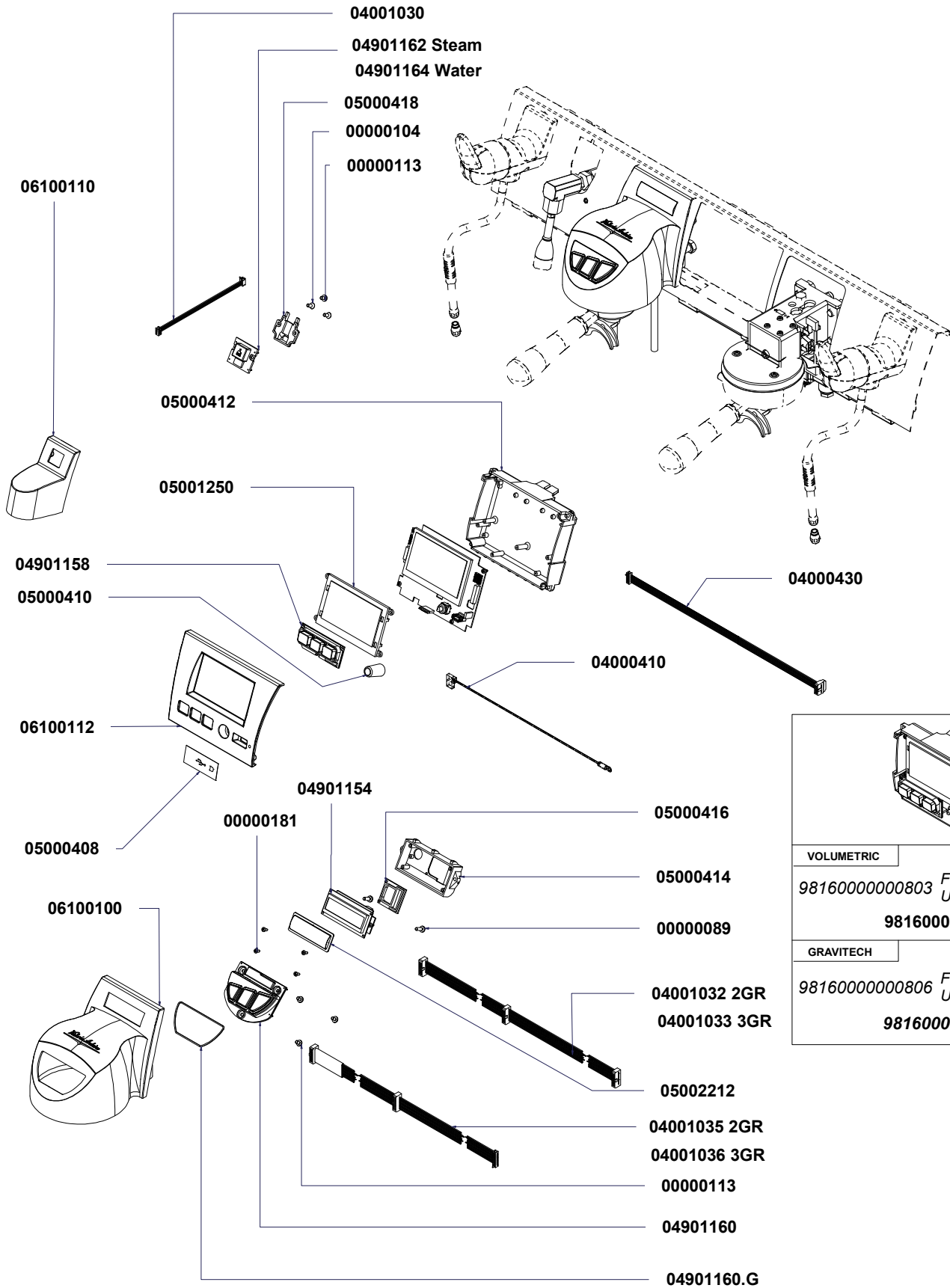
CABINET PARTS

COD.	DESCRIPTION	DESCRIZIONE	VAL.
980100000006090006	INFERIOR REAR ASSEMBLY VA388 3GR. WHITE	ASS. RETRO INFERIORE VA388 3GR. BIANCO	
980100000006100001	RIGHT SIDE PANEL SET VA388 GRAVIMETRIC	ASS. FIANCO DX VA388 GRAVIMETRICA	
980100000006110001	LEFT SIDE PANEL SET VA388 GRAVIMETRIC	ASS. FIANCO SX VA388 GRAVIMETRICA	



ASSIEME PULSANTIERA

CONTROL PANEL ASSEMBLY



VOLUMETRIC	
98160000000803	FINO AL 14/07/2015 UNTIL 14/07/2015
98160000000815	
GRAVITECH	
98160000000806	FINO AL 09/06/2016 UNTIL 09/06/2016
98160000000816	



ASSIEME PULSANTIERA

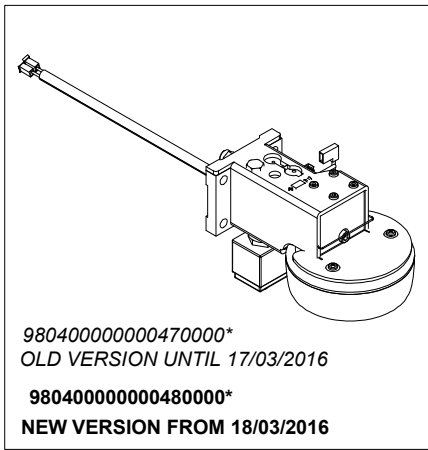
CONTROL PANEL ASSEMBLY

COD.	DESCRIPTION	DESCRIZIONE	VAL.
00000089	S/S CROSSHEAD CAP SCREW M4x12 DIN7985	VITE INOX M4x12 TC TCR DIN7985	
00000104	S/S CROSSHEAD COUNTERSUNK SCREW M4x10 DIN965	VITE INOX M4x10 TSP TCR DIN965	
00000113	S/S CROS SHEAD CAP SCREW M4x6 7985	VITE INOX M4x6 TC TCR 7985	
00000181	GALV CROSS HCS 3x8 DBL SPIRAL HILO TYPE UNI 9707	VITE TCTCR 3x8 DOPPIA ELICA HILO ZINC. UNI9707	
04000410	GROUND CONNECTION CABLE COLOR DISPLAY AURELIA	CAVO COLL. TERRA "DISPLAY A COLORI" AURELIA II	
04000430	FLAT CABLE 10WAY CONTROL BOARD-TFT DISPLAY	CAVO 10 VIE COLL. CENTRALINA -"DISPLAY A COLORI"	
04001030	6WAY CABLE STEAM/HOT WATER VA388	CAVO 6 VIE VAPORE-ACQUA CALDA VA388	
04001032	16WAY CABLE GR DISPLAY 2GR VA388	CAVO 16 VIE DISPLAY GRUPPI VA388 2GR	
04001033	16WAY CABLE GR DISPLAY 3GR VA388	CAVO 16 VIE DISPLAY GRUPPI VA388 3GR	
04001035	16WAY CABLE KEYPAD 2GR VA388	CAVO 16 VIE PULSANTIERA VA388 2GR.	
04001036	16WAY CABLE KEYPAD 3GR VA388	CAVO 16 VIE PULSANTIERA VA388 3GR.	
R04001036	KIT-16WAY CABLE KEYPAD 3GR - 1Pcs	KIT-CAVO 16 VIE PULSANTIERE - 1Pz	
04901154	GR DISPENSING DISPLAY BOARD VA388	SCHEDA DISPLAY GRUPPO EROG. VA388-WAVE	
04901158	3KEY SERVICE KEYPAD VA388	SCHEDA SERVIZI 3 TASTI VA388	
04901160	3KEY DISPENSING KEYPAD VA388	SCHEDA EROGAZ. 3 TASTI VA388	
04901160.G	GASKET FOR 3KEY DISPENSING KEYPAD VA388	GUARNIZIONE PER SCHEDA EROGAZ. 3 TASTI VA388	
04901162	STEAM DISPENSING KEY VA388	SCHEDA EROGAZ. 1 TASTO VAPORE VA388	
R04901164	KIT-WATER DISPENSING KEY - 1Pcs	KIT-SCHEDA EROGAZ. 1 TASTO ACQUA CALDA - 1Pz	
04901164	WATER DISPENSING KEY VA388	SCHEDA EROGAZ. 1 TASTO ACQUA CALDA VA388-VA358	
05000410	ROTARY SWITCH HANDLE VA388	POMELLO ROTARY SWITCH VA388	
05000412	TFT DISPLAY BOARD COVER + ROTARY VA388	CHIUSURA SCHEDA DISPLAY+ROTARY VA388	
05000414	DISPLAY GROUP DISPENSING COVER VA388	CHIUSURA DISPLAY GR.EROGAZIONE VA388	
05000416	PROTECTION GROUP DISPLAY CABLE VA388	PROTEZIONE CAVO DISPLAY GRUPPO VA388	
05000418	1KEY PROTECTION VA388	PROTEZIONE 1 TASTO VA388	
05001250	DISPLAY PROTECTION AURELIA II TFT	VETRINO PROTEZIONE DISPLAY A COLORI AURELIA II	
05002212	DISPLAY PROTECTION ADONIS	PROTEZIONE DISPLAY ADONIS	
06100100	GROUP COVER VA388 CHROME	COPRIGRUPPO CROMATO VA388	
06100110	HOT WATER TAP COVER VA388 CHROME	COPRI RUBINETTO ACQUA CALDA CROMATO VA388	
06100112	CASING TFT DISPLAY VA388 CHROME	CARTER DISPLAY VA388 CROMATO	
9816000000803	TFT DISPLAY SET VA388 CON SCHEDA + TASTI	ASS.DISPLAY TFT VA388 CON SCHEDA + TASTI	
9816000000806	TFT DISPLAY SET VA388 GRAV. + KEYS + BOARD	ASS.DISPLAY TFT VA388 GRAV. CON SCHEDA + TASTI	
9816000000815	TFT DISPLAY SET VA388 + KEYS + REMOTE CNTRL BOAR	ASS.DISPLAY TFT VA388 CON SCHEDA REMOTE CONTROL	
9816000000816	TFT DISPLAY SET VA388 GRAV. + KEYS+ RMTE CNTRL BR	ASS.DISPLAY TFT VA388 GRAV. CON SCHEDA REMOTECO	



COMPONENTI GRUPPO EROGAZIONE

POURING UNIT GROUP PARTS



14100066

01000239

07300128.TEA
07300613
07300362
00000089

00000113
00000160
01000184
00000118
07300166

08000093

02280012
09500002**
03000004.1
00000048

04000332**

00000113
04900991
09500004
00000197

00000192
04100017
190000110**

02290016

40200004
KRIC0001 (long-life) Opt.

07300183.N

00000118
08000034

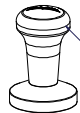
03000066.R

00300021
02280033

11600007

06200081

00000168



98011002



03000107



03000073



03000072



08000017



05000842.NO



98050028



07300601



07300647

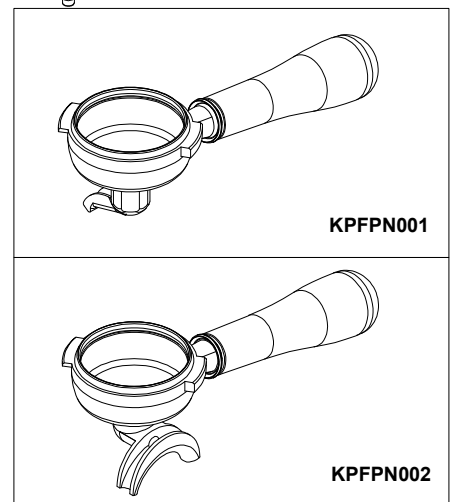


07300649

07300092

06200008

98005024.PN



* Specify version
Specificare versione

**North America Market
Mercato Nord America



INSPIRED BY YOUR PASSION.



COMPONENTI GRUPPO EROGAZIONE

POURING UNIT GROUP PARTS

COD.	DESCRIPTION	DESCRIZIONE	VAL.
00000048	SELF-TAPPING SCREW 2.9x4.5 TC/T.CR.	VITE AUTOF 2,9x4,5 TC/T.CR.	
00000089	S/S CROSSHEAD CAP SCREW M4x12 DIN7985	VITE INOX M4x12 TC TCR DIN7985	
00000113	S/S CROS SHEAD CAP SCREW M4x6 7985	VITE INOX M4x6 TC TCR 7985	
00000118	S/SHEX SOCKET CAP SCREW M4x12 5931	VITE INOX M4x12 TCEI 5931	
00000160	S/S WASHER D4X12 UNI 6593	RONDELLA INOX D4x12x1 UNI 6593	
00000168	S/S HEXAGON SOCKET HEAD SCREW M6x35 UNI 5931	VITE INOX M6x35 TCEI 5931	
00000192	S/S SCREW M4x8 TE UNI 5739	VITE INOX M4x8 TE UNI 5739	
00000197	S/S HEX SOCKET CAP SCREW M6x8 ISO 4762	VITE INOX M6x8 TCEI ISO 4762	
00300021	S/S SLT COUNTERSUNK SCREW M6X18 DIN963	VITE INOX M6x18 TSP TC DIN963	
R00300021	KIT-S/S SLT COUNTERSUNK SCREW M6X18 - 30Pcs	KIT-VITE INOX M6x18 - 30Pz	
01000184	ADONIS GROUP INSULATOR	ISOLANTE GRUPPO EROGAZIONE ADONIS	
01000239	GROUP BREWING INSULATION AURELIA II T3	ISOLANTE GRUPPO EROG. AURELIA II T3	
02280012	GASKET O RING 2093 D.27 EP851	GUARN. OR 2093 D.27 VITON DF 801	
R02280012	KIT-GASKET O RING 2093 D.27 EP - 30Pcs	KIT-GUARN. OR D.27 VITON DF - 30Pz	
02280033	GASKET O RING 75,92x1,78 NBR XP70	GUARN. OR 75,92x1,78 NBR XP70 2300	
R02280033	KIT-GASKET O RING 75,92x1,78 NBR - 20Pcs	KIT-GUARN. OR 75,92x1,78 NBR - 20Pz	
02290016	GASKET O RING D9,5 R5 SIL RED	GUARN. OR D 9,5 R5 SILICONE R.	
R02290016	KIT-GASKET O RING D9,5 SIL RED - 30Pcs	KIT-GUARN. OR D 9,5 SILICONE R. - 30Pz	
03000004.1	DOUBLE BRACKET FOR THERMOSTAT	STAFFA DOPPIA x TERMOSTATO	
03000066.R	S/S SHOWER REINFORCED	DOCCIA INOX RINFORZATA Aisi304	
R03000066.R	KIT-S/S SHOWER REINFORCED - 4Pcs	KIT-DOCCIA INOX RINFORZATA Aisi304 - 4Pz	
03000072	FILTER ONE COFFEE HIGH 7gr	FILTRO 1 CAFFE' ALTO 7gr.	
R03000072	KIT-FILTER ONE COFFEE HIGH 7gr - 3Pcs	KIT-FILTRO 1 CAFFE' ALTO 7gr. - 3Pz	
03000073	FILTER TWO COFFEE HIGH 14gr	FILTRO 2 CAFFE' ALTO 14gr.	
R03000073	KIT-FILTER TWO COFFEE HIGH 14gr - 3Pcs	KIT-FILTRO 2 CAFFE' ALTO 14gr. - 3Pz	
03000107	BLIND FILTER	FILTRO CIECO	
R03000107	KIT-BLIND FILTER - 8Pcs	KIT-FILTRO CIECO - 8Pz	
04000332	EXT L=85 + FASTON F-F A FLAG AWG18 BROWN	CAVALLOTTO L=85 + FASTON F-F A BANDIERA AWG18MAR	
04100017	3WAY SOLENOID DIS BASE 1/8220-230V50/60Hzz F1.5 CE	E.V. NC 3VIE BASETTA SCAR. 1/8220-230V 50/60HzRUBY F1	
R04100017	KIT-3WAY SOLENOID DIS BASE 1/8220-230V50/60Hzz - 1Pc	KIT-E.V. NC 3VIE BASETTA SCAR. 1/8220-230V 50/60Hz- 1Pz	
04900991	GROUP TEMPERATURE PROBE PT1000 AURELIAII TFT	SONDA TEMPERATURA PT1000 GR. AURELIA II "DISPLAY A	
R04900991	KIT-GROUP TEMPERATURE PROBE PT1000 - 1Pcs	KIT-SONDA TEMPERATURA PT1000 - 1Pz	
05000842.NO	FILTER HOLDER KNOB LOCK 2003 PAINTED MATT BLACK	CHIUSURA MANOPOLA PORTAFILTRO 2003 VERN. NEROOF	
06200008	2WAY OPEN NOZZLE	BECCO DUE VIE OPEN	
R06200008	KIT-2WAY OPEN NOZZLE - 1Pcs	KIT-BECCO DUE VIE OPEN - 1Pz	
06200081	GROUP RING OR CHROME OT-58	ANELLO GRUPPO +SEDE OR CROMATO OT-58	
R06200081	KIT-GROUP RING OR CHROME - 1Pcs	KIT-ANELLO GRUPPO +SEDE OR CROMATO - 1Pz	
07300092	1WAY CURVED OPEN NOZZLE	BECCO UNA VIA CURVO OPEN	
R07300092	KIT-1WAY CURVED OPEN NOZZLE - 2Pcs	KIT-BECCO UNA VIA CURVO OPEN - 2Pz	
07300128.TEA	PLUG 1/4 GAS+THEATURE	TAPPO 1/4 GAS AGG.31.01.89 OT-57 + TEATURA	
07300166	FLANGE BLOCK LOCK SOLENOID HOLDER ADD.07.07.03	FLANGIA CHIUSURA BLOCCHETTO PORTA ELETTRIV.AGG	
07300183.N	GROUP DIFFUSER h=3 OT-57 + NANOTECH	PADIGLIONE GRUPPO h=3 OT-57 + NANOTECH	
R07300183.N	KIT-GROUP DIFFUSER h=3 + NANOTECH - 1Pcs	KIT-PADIGLIONE GRUPPO H=3 + NANOTECH - 1Pz	
07300362	STRAIGHT FITTING 1/4 M-FITTINGS.6 340	RACCORDO DIR. 1/4 M-CALZ.6 340	
07300601	FILTER HOLDER KNOB INSERTION STAINLESS	INSERTO MANOPOLA PORTAFILTRO 2003 INOX (Aisi303)**D	
07300613	PRE INFUSION CHAMBER INSERT GROUP AURELIA OT-57	INSERTO CAMERA PRE-INFUSIONE GR. AURELIA OT-57	
R07300613	KIT-PRE INFUSION CHAMBER INSERT GROUP - 3Pcs	KIT-INSERTO CAMERA PRE-INFUSIONE GR. - 3Pz	



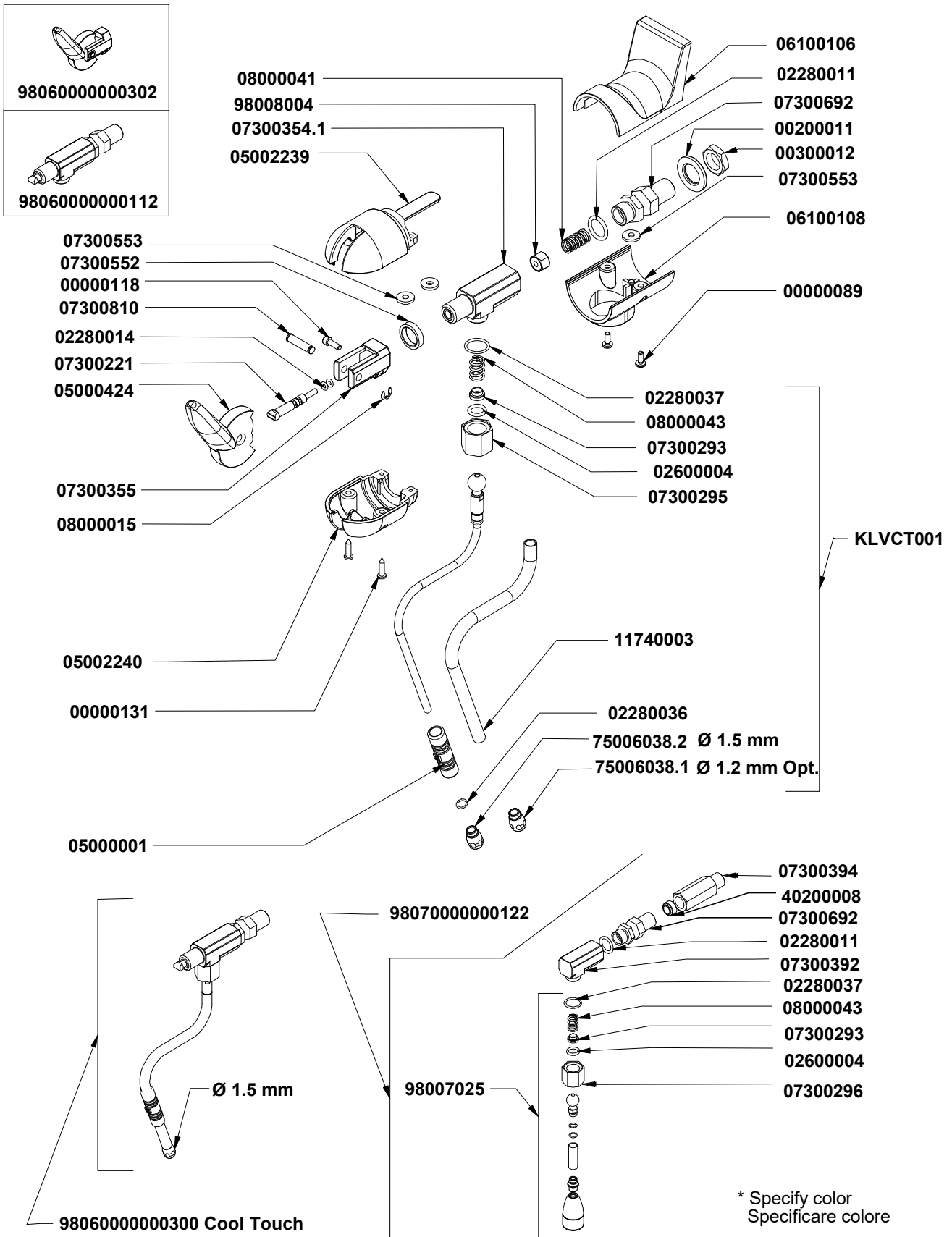
COMPONENTI GRUPPO EROGAZIONE

POURING UNIT GROUP PARTS

COD.	DESCRIPTION	DESCRIZIONE	VAL.
07300647	S/S WASHER PORTAFILTER KNOB DIFFUSER	RONDELLA INOX ROMPIGOCCIA MANOPOLA PORTAFILTRC	
07300649	RING + GRUB FOR ADJUSTABLE PORTAFILTER NOZZLE	ANELLO+GRANO PER PORTAFILTRO BECCO ORIENTABILE	
08000017	S/S FILTER LOCKING SPRING	MOLLA BLOCCA FILTRO ACC.INOX	
R08000017	KIT-S/S FILTER LOCKING SPRING - 15Pcs	KIT-MOLLA BLOCCA FILTRO ACC.INOX - 15Pz	
08000034	HOSE CLAMP D12	FASCETTA STRINGITUBO D12	
08000093	FASTENING SPRING FOR INSULATION - DISPENSING GRC	MOLLA FISSAGGIO ISOLANTE GR. EROGAZ. T3 AURELIA -V	
09500002	AUTOMATIC THERMOSTAT 125°C WHITE DRIPPING	TERMOSTATO RIARMO AUTO. 125°C GOCCIOLATURA BIAN	
09500004	MANUAL THERMOSTAT 135°C GREEN DRIPPING	TERMOSTATO R.MAN. 135C GOCCIOLATURA VERDE	
R09500004	KIT-MANUAL THERMOSTAT 135°C GREEN DRIPPING - 2Pc	KIT-TERMOSTATO R.MAN. 135C GOCCIOLATURA VERDE- 2	
11600007	RUBBER HOSE TT/NBR 8x12	TUBO GOMMA TT/NBR 6x10	
14100066	CARTRIDGE HEAT. ELEMENT D10x115 300W 230V	RESISTENZA A CARTUCCIA D10x115 300W 230V	
R14100066	KIT-CARTRIDGE HEAT. ELEMENT D10x115 300W 230V - 1P	KIT-RESISTENZA A CARTUCCIA D10x115 300W 230V- 1Pz	
190000110	3 WAYS SOLENOID SMALL BASE SCAR. 1/8 208-240V 60Hz	E.V. NC 3VIE BASETTA SCAR. 1/8 208-240V 60Hz F1.5RUBY U	
40200004	GASKET CONICAL UNDERCOVER 82/84 ShA	GUARNIZ. SOTTOCOPPA CONICA 82/84 ShA	
R40200004	KIT-GASKET CONICAL UNDERCOVER 82/84 ShA - 15Pcs	KIT-GUARNIZ. SOTTOCOPPA CONICA 82/84 ShA - 15Pz	
98005024.PN	TEFLON P.FILTER BODY W/N.TECH RING+ LEATHER HANI	CORPO PORTAFILTRO CON ANELLO NANOTECH + MANOP	
98011002	ANODISED COFFEE TAMPER BRILLIANT WHITE VA 2009	PRESSA CAFFE' ANOD.ARGENTO V.A. '09	
980400000000470001	DISPENS. GROUP SET VA388 T3 WBC-TEFLON TUBES 230V	ASS. GR. EROG. VA388 T3 "WBC" TUBI TEFLON 230V	
980400000000470002	DISPENS. GROUP SET VA388 T3 WBC-TEFLON TUBES 208-240V	ASS. GR. EROG. VA388 T3 "WBC" TUBI TEFLON 208-240V C	
980400000000470003	DISPENS. GROUP SET VA388 T3 WBC-TEFLON TUBES 230V KC	ASS. GR. EROG. VA388 T3 "WBC" TUBI TEFLON 230V KC	
980400000000480001	GROUP SET DISPENSER VA388 T3 "WBC" 230V	ASS. GR. EROG. VA388 T3 "WBC" TUBI RAME 230V	
980400000000480002	GROUP SET DISPENSER VA388 T3 "WBC" 208-240V CSA	ASS. GR. EROG. VA388 T3 "WBC" TUBI RAME 208-240V CSA	
980400000000480003	GROUP SET DISPENSER VA388 T3 "WBC" 230V KC	ASS. GR. EROG. VA388 T3 "WBC" TUBI RAME 230V KC	
98050028	BLACK LEATHER PORTAFILTER HANDLE	MANOPOLA PORTAFILTRO IN PELLE NERA	
KPPFN001	COMP NANOTECH PORTAFILTER 1WAY BLK LEATHER	PORTAFILTRO NANOTECH COMP. 1 VIA MANOPOLA PELLE	
KPPFN002	COMP NANOTECH PORTAFILTER 2WAY BLK LEATHER	PORTAFILTRO NANOTECH COMP. 2 VIE MANOPOLA PELLE	
KRIC0001	6pc PK LONGLIFE CONICA GASKET SHEATH AURELIA-VA3	CONFEZIONE 6pz. GUARNIZIONE SOTTOCOPPA CONICA LC	



COMPONENTI VAPORE E ACQUA CALDA
STEAM AND HOT WATER PARTS





COMPONENTI VAPORE E ACQUA CALDA

STEAM AND HOT WATER PARTS

COD.	DESCRIPTION	DESCRIZIONE	VAL.
00000089	S/S CROSSHEAD CAP SCREW M4x12 DIN7985	VITE INOX M4x12 TC TCR DIN7985	
00000118	S/SHEX SOCKET CAP SCREW M4x12 5931	VITE INOX M4x12 TCEI 5931	
00000131	SS SELF-TAPPING CROSS HEAD CAP SCREW 3.9x16	VITE AUTOF INOX 3,9x16 TC TCR	
00200011	GALV WASHER M16 17x30x3	RONDELLA AQ M16 17x30x3 ZINC	
00300012	BRASS NUT 3/8 GAS D6 CH22 ADD 22.07.96	DADO OT 3/8 GAS SPESS.6 CH22 AGG. 22.07.96	
02280011	GASKET O RING R11 D19 EP 851	GUARN. OR R11 D19 EP 851	
R02280011	KIT-GASKET O RING R11 D19 EP - 25Pcs	KIT-GUARN. OR R11 D19 EP - 25Pz	
02280014	GASKET GASKET O RING D.7 AN2/OR102 SILICON	GUARN. OR D7 AN2/OR102 SILICON7XL1715	
R02280014	KIT-GASKET GASKET O RING D.7 AN2/OR102 SILICON - 30	KIT-GUARN. OR D7 SILICON 7XL1715 - 30Pz	
02280036	O RING FOR STEAM WAND NOZZLE D6x1.2 EPDM70 500 P	GUARN. OR x BECCO LANCIA VAP. DI 6x1.2 EPDM70(CONF.	
R02280036	KIT-O RING FOR STEAM WAND NOZZLE D6x1.2 EPDM - 65P	KIT-GUARN. OR x BECCO LANCIA VAP. D. 6x1.2 EPDM- 65Pz	
02280037	GASKET O RING JOINT LOCK 16x2 NBR70	GUARN. OR CHIUSURA SNODO 16x2 NBR70	
R02280037	KIT-GASKET O RING JOINT LOCK 16x2 NBR - 45Pcs	KIT-GUARN. OR CHIUSURA SNODO 16x2 NBR - 45Pz	
02600004	O RING 15,2x10,2x2,5 TEFLON x STEAM WAND SPHERE	GUARN. OR 15,2x10,2x2,5 TEFLONx SFERA LANCIAPVAPORE	
R02600004	KIT-O RING 15,2x10,2x2,5 TEFLON x STEAM - 55Pcs	KIT-GUARN. OR 15,2x10,2x2,5 TEFLONx SFERA LANCIA- 55Pz	
05000001	RUBBER PROTECTION FOR STEAMWAND D10	GOMMINO PROTEZIONE LANCIA D.10	
R05000001	KIT-RUBBER PROTECTION FOR STEAMWAND D10 - 10Pcs	KIT-GOMMINO PROTEZIONE LANCIA D.10 - 10Pz	
05000424	STEAM TAP HANDLE VA388	MANOPOLA VAPORE VA388 - VA358	
R05000424	KIT-STEAM TAP HANDLE - 3Pcs	KIT-MANOPOLA VAPORE - 3Pz	
05002239	SUPERIOR FRONT TAP COVER CHROME LEVA ADONIS	COPRI RUBINETTO SUP. ANTERIORE CROMATO APERTUR	
R05002239	KIT-SUPERIOR FRONT TAP COVER CHROME - 2Pcs	KIT-COPRI RUBINETTO SUP. ANTERIORE CROMATO AP.- 2Pz	
05002240	FRONT INFERIOR TAP COVER CHROME LEVER OPEN AD	COPRI RUBINETTO INF. ANTERIORE CROMATO APERTURA	
R05002240	KIT-FRONT INFERIOR TAP COVER CHROME LEVER OPEN	KIT-COPRI RUBINETTO INF. ANTERIORE CROMATO AP.- 2Pz	
06100106	SUPERIOR STEAM TAP COVER VA388 CHROME	COPRI RUBINETTO SUP. VAPORE CROMATO VA388	
06100108	INFERIOR STEAM TAP COVER VA388 CHROME	COPRI RUBINETTO INF. VAPORE CROMATO VA388	
07300221	S/S STEAMTAP ROD	ASTA INOX RUBINETTO VAPORE	
R07300221	KIT-S/S STEAMTAP ROD - 3Pcs	KIT-ASTA INOX RUBINETTO VAPORE - 3Pz	
07300293	ARTICULATED BUSHING AG.25.06.96 OT-57	BUSSOLA SNODO AG.25.06.96 OT-57	
R07300293	KIT-ARTICULATED BUSHING - 15Pcs	KIT-BUSSOLA SNODO - 15Pz	
07300295	NUT FITTING 3/8 H=21 BRASS-NICKEL ARTICULATED WAN	DADO RACC. 3/8 H=21 LANCIA SNODATA OTTONENICHELA	
R07300295	KIT-NUT FITTING 3/8 H=21 BRASS-NICKEL ARTICULATED -	KIT-DADO RACC. 3/8 H=21 LANCIA SNODATA - 6Pz	
07300296	NUT FITTING 3/8 H=21 S/S ARTICULATED WAND	DADO RACC. 3/8 H=21 LANCIA SNODATA INOX	
07300354.1	STEAM TAP BODY FOR ARTICULATED BRASS WAND OT-5	CORPO RUB. VAPORE x LANC. SNODOTONE OT-57	
07300355	TAP FORK 99 BRASS OT-58	FORCELLA RUBINETTO 99 OTTONE OT-58	
R07300355	KIT-TAP FORK 99 BRASS - 3Pcs	KIT-FORCELLA RUBINETTO - 3Pz	
07300392	HOT WATER TAP CONNECTION VA388 OT-57	ATTACCO RUB. ACQUA CALDA VA388 OT-57	
07300394	HOT WATER TAP EXTENTION VA 388 OT-57	PROLUNGA RUBINETTO ACQUA CALDA VA388 OT-57	
07300552	BIG WASHER PTFE TAP LEVER OPENING ADONIS	RONDELLA GRANDE PTFE RUBINETTO APERTURA A LEVA	
07300553	SMALL WASHER PTFE TAP LEVER OPENING ADONIS	RONDELLA PICCOLA PTFE RUB. APERTURA A LEVA ADONI	
07300692	SPRING HOLDER PLUG STEAM WAND ADONIS OT-57	TAPPO PORTAMOLLA RUB.VAP. ADONIS OT-57	
R07300692	KIT-SPRING HOLDER PLUG STEAM WAND - 4Pcs	KIT-TAPPO PORTAMOLLA RUB.VAP. - 4Pz	
07300810	STEAM TAP PIN AURELIA IIOT-58	SPINOTTO RUB.VAPORE AURELIA IIOT-58	
R07300810	KIT-STEAM TAP PIN - 25Pcs	KIT-SPINOTTO RUB.VAPORE - 25Pz	
08000015	S/S SEEGER RING TYPE RS 5 UNI7434	ANELLO SEEGER TIPO RS 5 INOX UNI7434	
08000041	STEAM TAP SPRING 7 ST 11,5X8,5X22	MOLLA 7 ST 11,5X8,5X22 RUB.VAPORE	
08000043	SPRING FOR ARTICULATED WAND D.1.6 D.11.9x16.2 4COI	MOLLA PER LANCIA SNODATA FILO D.1.6 D.11.9x16.2 4SPIR	
R08000043	KIT-SPRING FOR ARTICULATED WAND D.1.6 D.11.9x16.2 -	KIT-MOLLA PER LANCIA SNODATA FILO D.1.6 D.11.9x16.- 15	



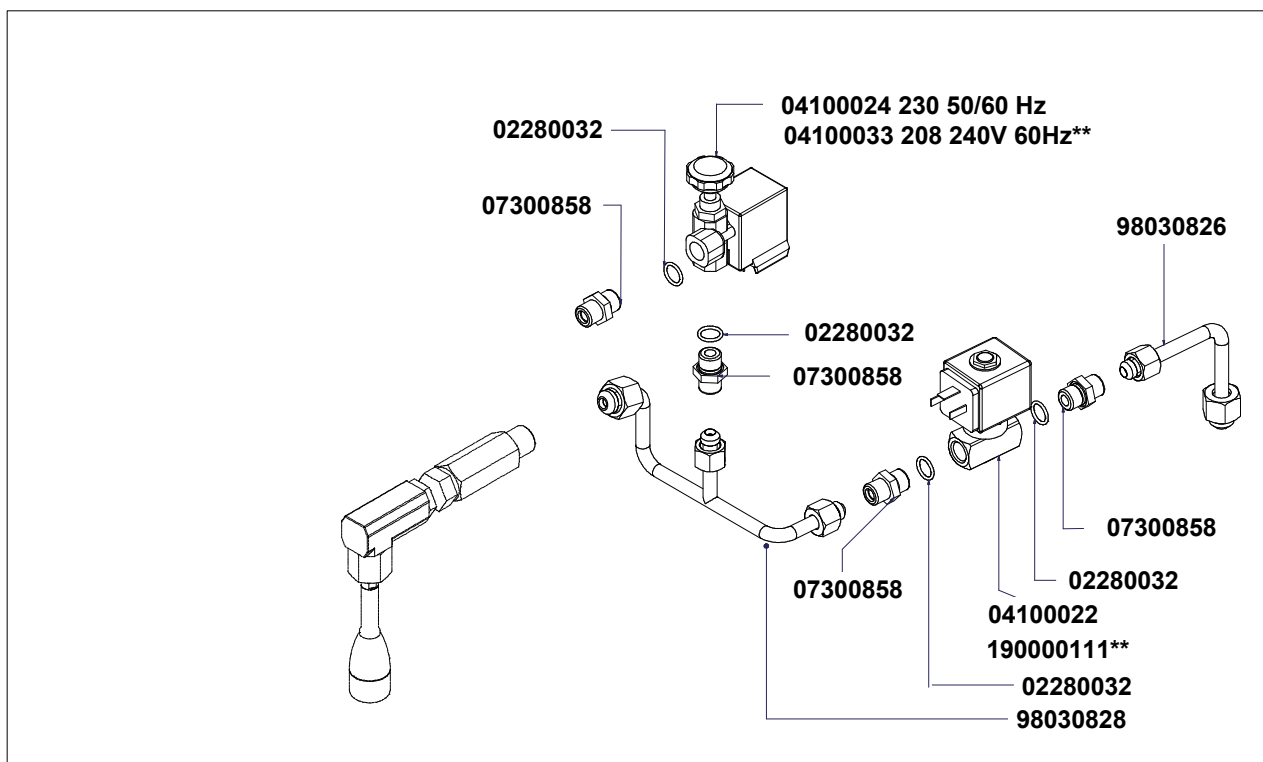
COMPONENTI VAPORE E ACQUA CALDA STEAM AND HOT WATER PARTS

COD.	DESCRIPTION	DESCRIZIONE	VAL.
11740003	CALIBRATED TEFLON PIPE 6/4	TUBO TEFLON NSF 6/4 CALIBRATO1 matassa = 50mt	
40200008	LEVEL GLASS SEAL 10 MM	GUARNIZIONE VETRO LIVELLO	
75006038.1	STEAM NOOZLE M8,65X0,75 F1,2 ESAG.12	BECCO VAPORE M8,65x0,75 F. 1,2 ESAG.12	
75006038.2	STEAM NOZZLE M8,65x0,75 F. 1,5 ESAG.12	BECCO VAPORE M8,65x0,75 F. 1,5 ESAG.12	
98007025	S/S HOTWATER WAND KIT VA388 W/ DIFFUSER	KIT LANCIA ACQUA C. INOX VA388 COMPLETA DIROMPIGE	
98008004	COMPLETE STEAM VALVE PISTON	PISTONCINO CHIUSURA COMPLETO	
R98008004	KIT-COMPLETE STEAM VALVE PISTON - 5Pcs	KIT-PISTONCINO CHIUSURA COMPLETO - 5Pz	
98060000000112	STEAM TAP SET WITHOUT WAND VA338-VA358	ASS. RUBINETTO VAPORE SENZA LANCIA VA388 - VA358	
98060000000300	STEAM TAP + COOLTOUCH STEAMWAND SET VA388-VA3	ASS. RUBINETTO + LANCIA VAPORE FREDDA VA388-VA358	
98060000000302	STEAM TAP LEVER SET VA388-VA358	ASSIEME LEVA PER RUBINETTO VAPORE VA388 - VA358	
R98060000000302	KIT-STEAM TAP LEVER SET - 1Pcs	KIT-ASSIEME LEVA PER RUBINETTO VAPORE - 1Pz	
98070000000122	HOT WATER WAND + CONNECTOR SET VA388	ASSIEME ATTACCO + LANCIA ACQUA CALDA VA388	
KLVCT001	KIT COOLTOUCH STEAM WAND	KIT LANCIA VAPORE "COOL TOUCH"	

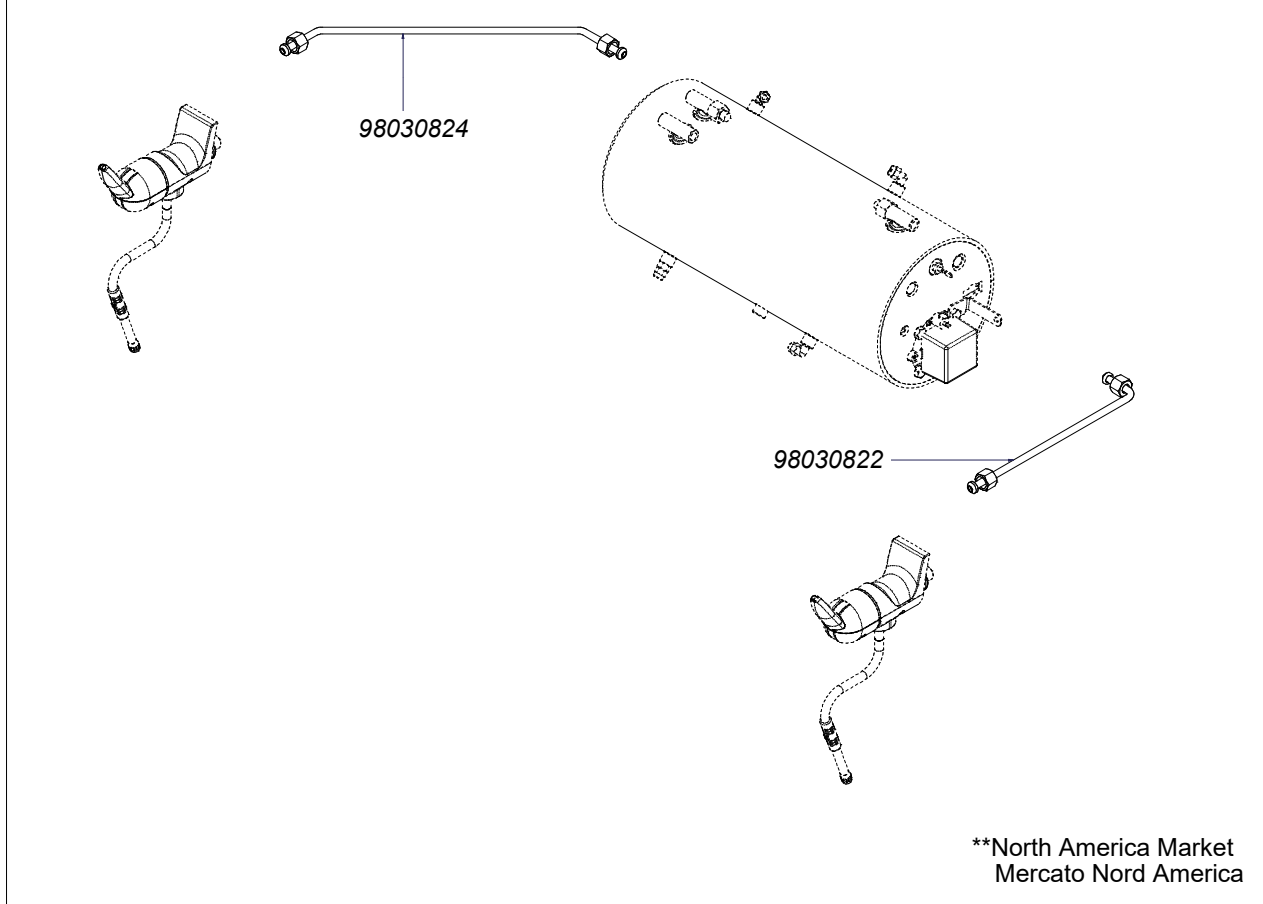


COMPONENTI MISCELATORE E TUBI VAPORE

MIXER PARTS AND STEAM PIPES



STEAM PIPES UNTIL 17/03/2016





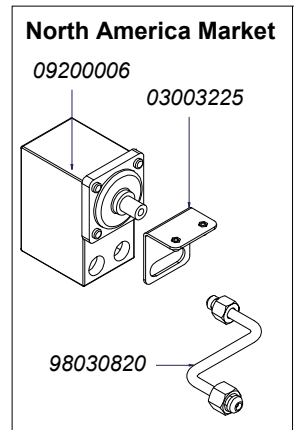
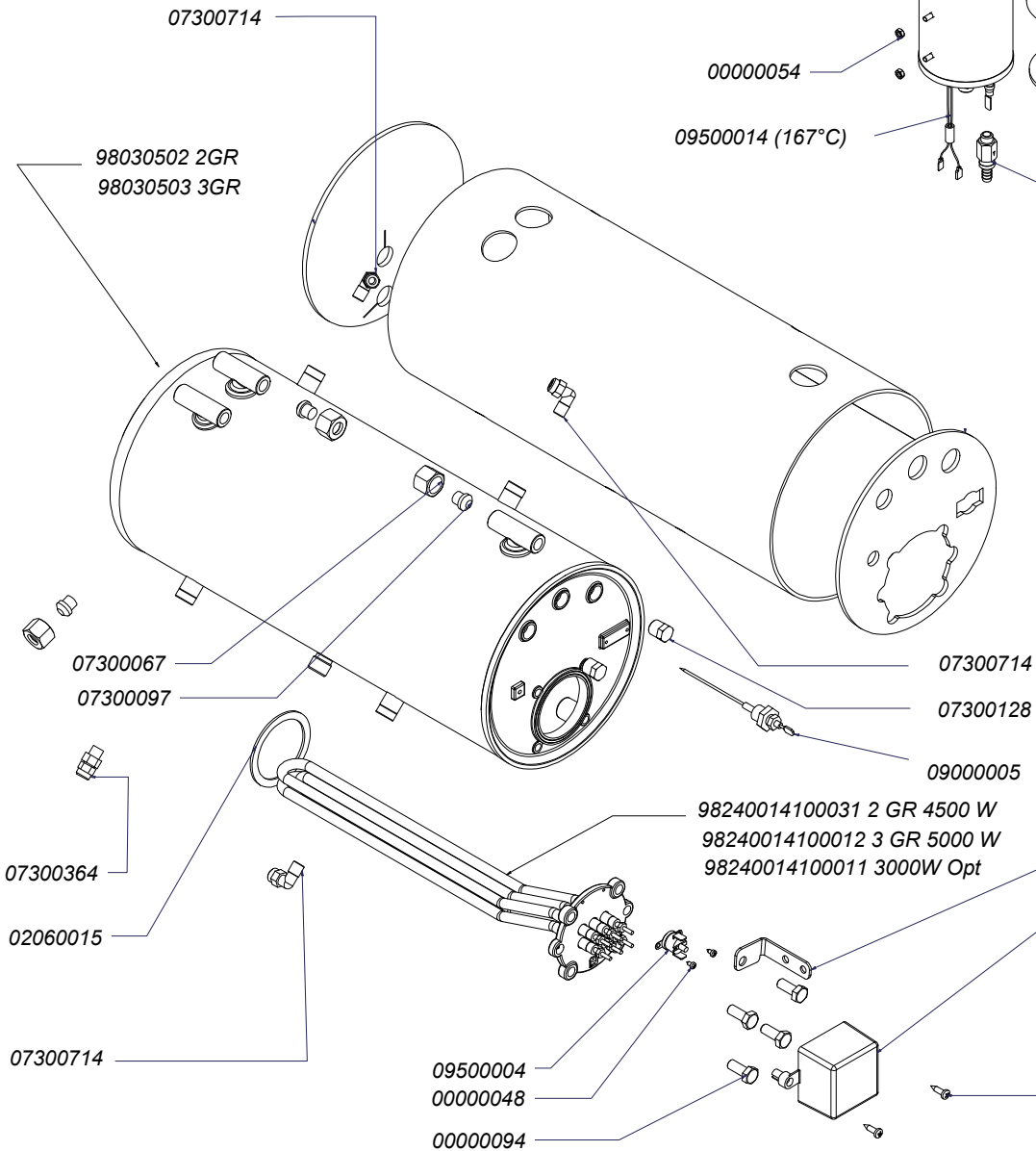
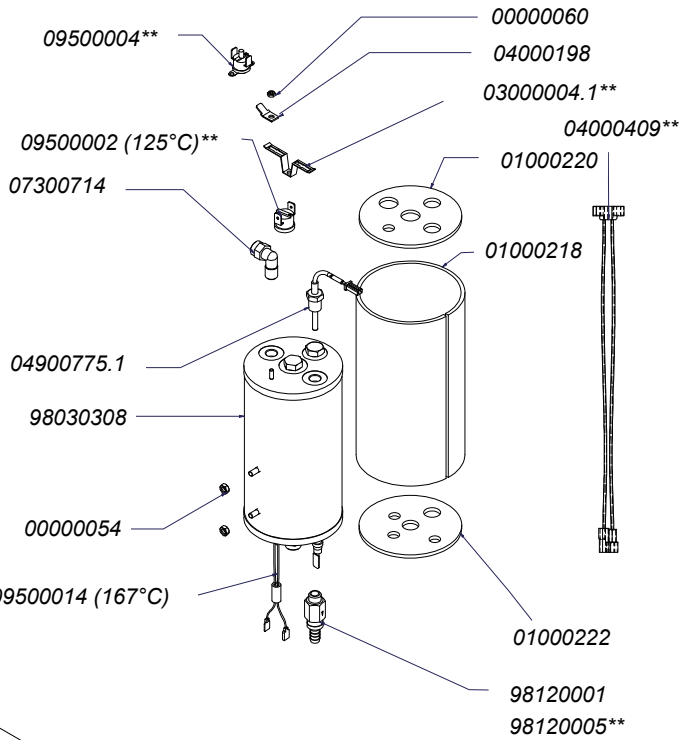
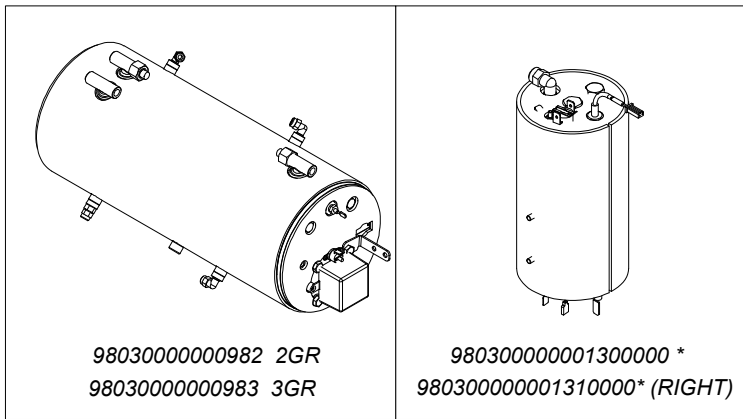
COMPONENTI MISCELATORE E TUBI VAPORE
MIXER PARTS AND STEAM PIPES

COD.	DESCRIPTION	DESCRIZIONE	VAL.
02280032	GASKET O RING 114 D15 EP 851	GUARN. OR 114 D.15 EP 851	
R02280032	KIT-GASKET O RING 114 D15 EP - 25Pcs	KIT-GUARN. OR 114 D.15 EP - 25Pz	
04100022	2WAY SOLENOID 1/4-1/4 220-230V50/60Hz F3 CE TH1xM4	E.V. NC 2VIE 1/4-1/4 220-230V 50/60Hz RUBINO F3 CE PIEDIN	
R04100022	KIT-2WAY SOLENOID 1/4-1/4 220-230V50/60Hz F3 CE - 1Pcs	KIT-E.V. NC 2VIE 1/4-1/4 220-230V 50/60Hz RUBINO- 1Pz	
04100024	3WAY SOLENOID 1/4 REGUL 90° 230V50/60Hz F3 CE	E.V. NC 2VIE 1/4 REGOLAT. 90° 230V 50/60Hz F.3 CE	
R04100024	KIT-3WAY SOLENOID 1/4 REGUL 90° 230V50/60Hz F3 CE -	KIT-E.V. NC 2VIE 1/4 REGOLAT. 90° 230V 50/60Hz F.3- 1Pz	
04100033	2WAY SOLENOID 1/4 REGUL 90° 230/240V 50/60Hz F3 UL C	E.V. NC 2VIE 1/4 REGOLAT. 90° 230/240V 50/60Hz F3UL CAN	
07300858	FITTING 1/4M-1/4M OT-57 USA	RACCORDO 1/4M-1/4M OT-57 USA	
R07300858	KIT-FITTING 1/4M-1/4M - 15Pcs	KIT-RACCORDO 1/4M-1/4M - 15Pz	
190000111	2 WAYS SOLENOID 1/4-1/4 208-240V 60Hz RUBY F3 UL NSF	E.V. NC 2VIE 1/4-1/4 208-240V 60Hz RUBY F3 UL NSF 121KH	
98030822	RIGHT STEAM WAND PIPE VA388 ONLY FOR BOILER WITH	TUBO LANCIA VAPORE DX VA388 SOLO PER CALDAIA CON	
98030824	LEFT STEAM WAND PIPE VA388 ONLY FOR BOILER WITH	TUBO LANCIA VAPORE SX VA388 SOLO PER CALDAIA CON	
98030826	BOILER-H.WATER VLVE TUBE VA388 CURVE FLANGE BOI	TUBO CALDAIA-E.V. ACQUA CALDA VA388 CALDAIA DOPPIA	
98030828	MIXER-HOTWATER WAND TUBE VA388 CURV FLANGE BOI	TUBO E.V. MISCELATORE - LANCIA ACQUA CALDA VA388C	



GRUPPO CALDAIE T3 (FINO AL 17-03-2016)

T3 BOILER GROUP (UNTIL 17-03-2016)



03003230
05000047
00000213

*Specify version
Specificare versione
**North America Market
Mercato Nord America



INSPIRED BY YOUR PASSION.



GRUPPO CALDAIE T3 (FINO AL 17-03-2016)

T3 BOILER GROUP (UNTIL 17-03-2016)

COD.	DESCRIPTION	DESCRIZIONE	VAL.
04900775.1	TEMPERATURE PROBE 150°NTC ATT.1/8 SS 4X20	SONDA TEMPERATURA 150 ATT.1/8 INOX 4x20 AMP MODULI	
00000048	SELF-TAPPING SCREW 2.9x4.5 TC/T.CR.	VITE AUTOF 2,9x4,5 TC/T.CR.	
00000054	GALV HIGH NUT M4	DADO AQ M4 ALTO ZINCATO	
00000060	GALV MEDIUM NUT AQ M3	DADO AQ M3 MEDIO ZINCATO	
00000094	S/S HEX CAP SCREW M8x20 5739	VITE INOX M8x20 TE 5739	
00000213	GALV SELF-TAPPING SCREW 4,2x16 TC T.CR.	VITE AUTOF 4,2x16 TC T.CR. ZIN	
01000218	BOILER INSULATION D80 115x252,7	ISOLANTE CALDAIA D80 155x252,7	
R01000218	KIT-BOILER INSULATION D80 115x252,7 - 3Pcs	KIT-ISOLANTE CALDAIA D80 155x252,7 - 3Pz	
01000220	BOILER INSULATION SUPERIOR D80	ISOLANTE SUPER. D.80 CALDAIA	
R01000220	KIT-BOILER INSULATION SUPERIOR D80 - 8Pcs	KIT-ISOLANTE SUPER. D.80 CALDAIA - 8Pz	
01000222	BOILER INSULATION INFERIOR D80	ISOLANTE INFER. D.80 CALDAIA	
02060015	GASKET FOR HEATING ELEMENT 067x054x2	GUARNIZIONE PTFE 067x054x2	
R02060015	KIT-GASKET FOR HEATING ELEMENT 067x054x2 - 8Pcs	KIT-GUARNIZIONE PTFE 067x054x2 - 8Pz	
03000004.1	DOUBLE BRACKET FOR THERMOSTAT	STAFFA DOPPIA x TERMOSTATO	
03003225	SAFETY PRESSOSTAT SUPPORT VA388	LAMIERA SUPP. PRESSOSTATO MECCANICO VA388	
03003230	MAIN BOILER BRACKET VA388	STAFFA FISSAGGIO CALDAIA VA388	
04000198	FOIL HOLDER M 6.3 D 4.2 45°	PRESA LAMELLARE M 6.3 d4.2 45°	
04000409	SAFETY THRMST MAIN BOILER WIRING AURELIA II T3CSA	CABLAGGIO TERMOSTATO CALDAIA CAFFE' AURELIA II T3C	
05000047	SQAURE RESISTANCE COVER V0	COPRI RESISTENZA QUADRATA V0	
R05000047	KIT-SQUARE RESISTANCE COVER V0 - 6Pcs	KIT-COPRI RESISTENZA QUADRATA - 6Pz	
07300067	NUT FITTING 3/8 GAS D11 ADD. 15.11.84 OT-58	DADO RACCORDO 3/8 GAS D11 AGG. 15.11.84 OT-58	
07300097	CLOSED TERMINAL D14 OT-57	TERMINALE CHIUSO D 14 OT-57	
07300128	PLUG 1/4 GAS ADD.31.01.89 OT-57	TAPPO 1/4 GAS AGG.31.01.89 OT-57	
07300364	STRAIGHT FITTING 1/8 M CON. - FITTING.6 340	RACCORDO DIR. 1/8 M CON. - CALZAM.6 340	
R07300364	KIT-STRAIGHT FITTING 1/8 M CON. - FITTING.6 340 - 8Pcs	KIT-RACCORDO DIR. 1/8 M CON. - CALZAM.6 - 8Pz	
07300714	L FITTING 1/8 M - FITTINGS.6	RACCORDO L 1/8 M - CALZAM.6	
R07300714	KIT-L FITTING 1/8 M - FITTINGS.6 - 6Pcs	KIT-RACCORDO L 1/8 M - CALZAM.6 - 6Pz	
09000005	COMPLETE AUTOLEVEL PROBE L=130	SONDA AUTOLIVELLO COMP. L=130	
R09000005	KIT-COMPLETE AUTOLEVEL PROBE L=130 - 1Pcs	KIT-SONDA AUTOLIVELLO COMP. L=130 - 1Pz	
09200006	MACHINE PRESSO GAUGE CE/UL TRIF. 30A 400V 0,5-1,4BA	PRESSOSTATO MACCHINA CE/UL TRIF. 30A 400V0,5-1,4BA	
R09200006	KIT-MACHINE PRESSO GAUGE CE/UL TRIF. 30A 400V - 1Pc	KIT-PRESSOSTATO MACCHINA CE/UL TRIF. 30A 400V - 1Pz	
09500002	AUTOMATIC THERMOSTAT 125°C WHITE DRIPPING	TERMOSTATO RIARMO AUTO. 125°C GOCCIOLATURA BIAN	
09500004	MANUAL THERMOSTAT 135°C GREEN DRIPPING	TERMOSTATO R.MAN. 135C GOCCIOLATURA VERDE	
R09500004	KIT-MANUAL THERMOSTAT 135°C GREEN DRIPPING - 2Pc	KIT-TERMOSTATO R.MAN. 135C GOCCIOLATURA VERDE- 2	
09500014	HEATING ELEMENT THERMAL PROTECTION G5 167°C 16A	TERMOPROTETTORE x RESISTENZA G5 167°C 16A 250V UL	
R09500014	KIT-HEATING ELEMENT THERMAL PROTECTION - 2Pcs	KIT-TERMOPROTETTORE x RESISTENZA G5 167°C 16A 250	
980300000001300001	COFFEE BOILER SET 230V	ASS. CALDAIA CAFFE' 230V	
980300000001300002	COFFEE BOILER SET 208-240V CSA	ASS. CALDAIA CAFFE' 208-240V CSA	
980300000001310001	COFFEE BOILER SET ADONIS T3 RIGHT GR. 230V	ASS. CALDAIA CAFFE' ADONIS T3 GR. A DX 230V	
980300000001310002	COFFEE BOILER SET ADONIS T3 RIGHT GR. 208-240V CSA	ASS. CALDAIA CAFFE' ADONIS T3 GR. A DX 208-240V CSA	
98030000000982	BOILER SET VA388 2GR	ASSIEME CALDAIA VA388 2GR.	
98030000000983	BOILER SET VA388 3GR	ASSIEME CALDAIA VA388 3GR.	
98030308	S/S WELDED BOILER Aisi316 D77 L145 230V 1000W	CALDAIA SALD. ACCIAIO Aisi316 D.77 L=145 230V1000W	
98030502	WELDED BOILER 2 GR D180 L111 AURELIA II T3 TESTED	CALDAIA SALDATA 2GR D.180 L111 AURELIA II T3COLLAUDA	
98030503	WELDED BOILER 2 GR D180 L111 AURELIA II T3 TESTED	CALDAIA SALDATA 3GR D.180 L117 AURELIA II T3COLLAUDA	
98030820	BOILER PIPE - PRESSURE GAUGE VA388 ONLY CSAONLY	TUBO CALDAIA - PRESSOSTATO VA388 SOLO CSA SOLO P	
98120001	NEPLAX VITON 16,5 BAR VALVE 1/8 HOSE CLAMP	VALVOLA NEPLAX VITON 16,5 BAR 1/8 - PORTAGOMMA	



INSPIRED BY YOUR PASSION.

T.06



GRUPPO CALDAIE T3 (FINO AL 17-03-2016)

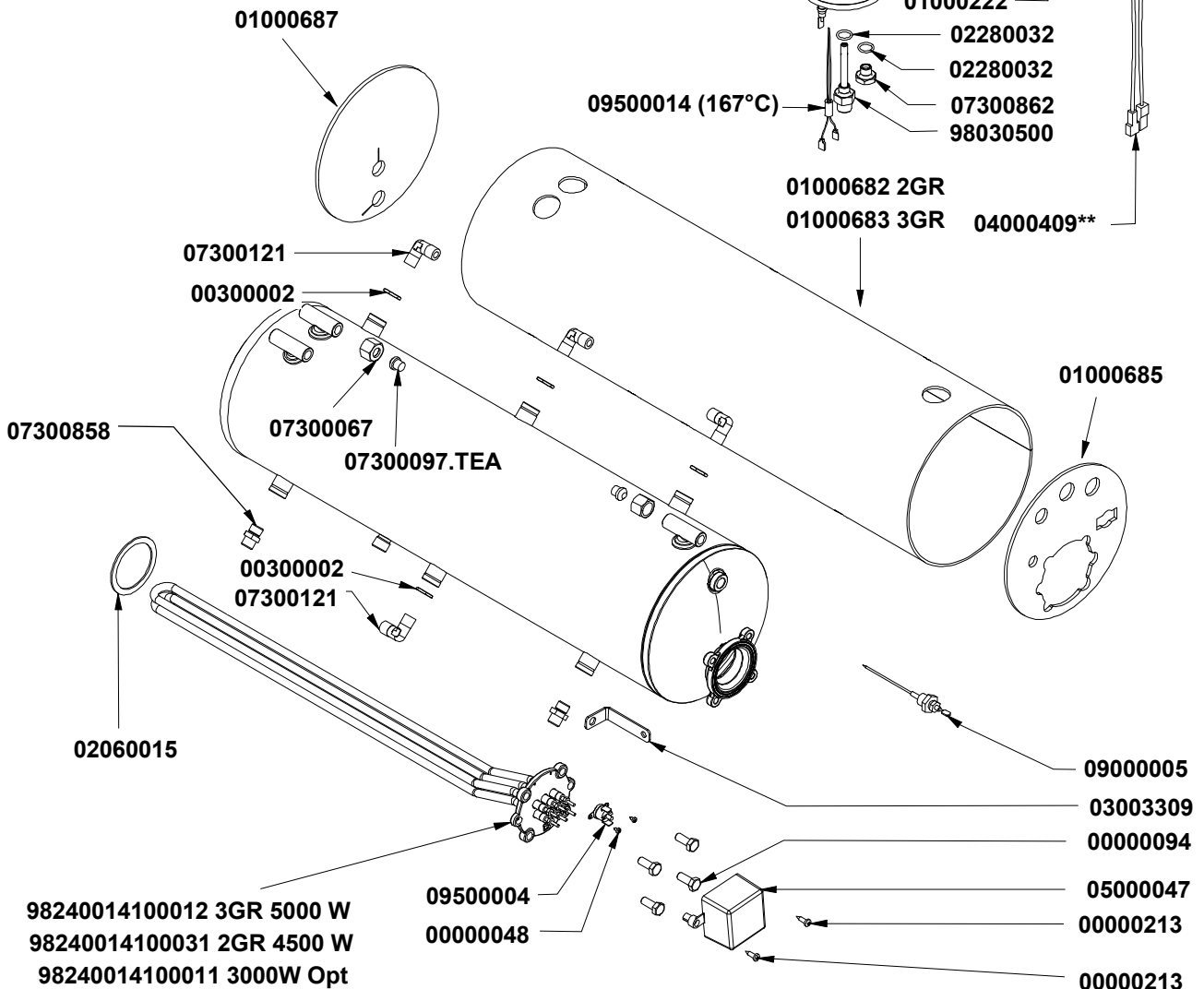
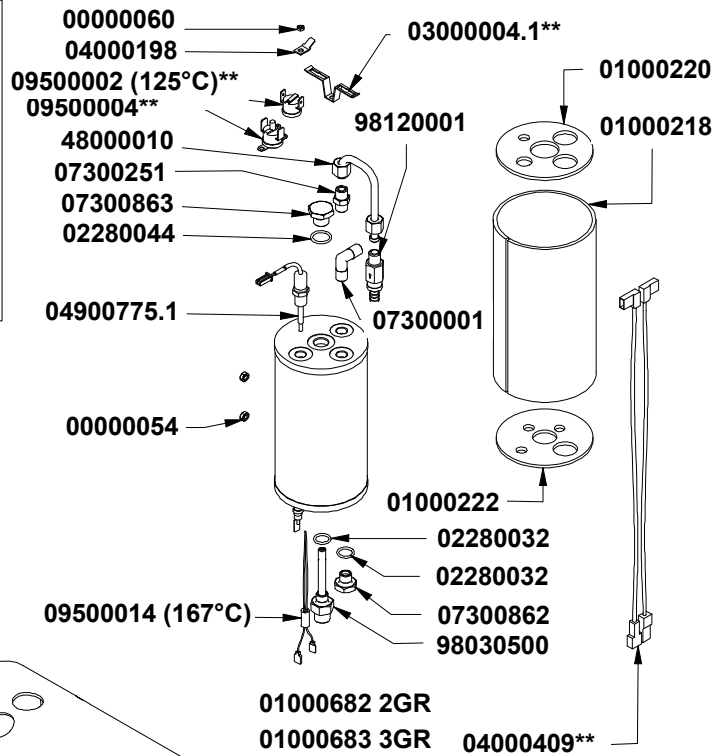
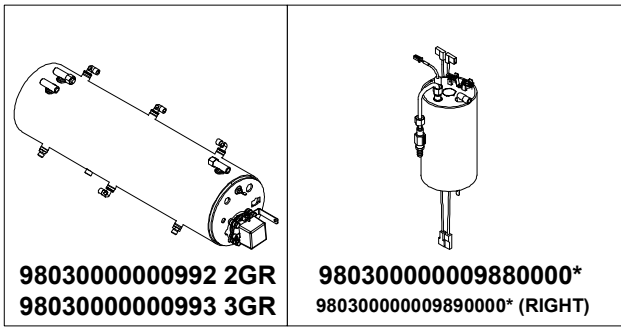
T3 BOILER GROUP (UNTIL 17-03-2016)

COD.	DESCRIPTION	DESCRIZIONE	VAL.
R98120001	KIT-NEPLAX VITON 16,5 BAR VALVE 1/8 HOSE CLAMP - 2P	KIT-VALVOLA NEPLAX VITON 16,5 BAR 1/8 - PORTAGOMMA	
98120005	NEPLAX VITON 12 BAR VALVE 1/8 HOSE CLAMP	VALVOLA NEPLAX VITON 12BAR 1/8 - PORTAGOMMA	
R98120005	KIT-NEPLAX VITON 12 BAR VALVE 1/8 HOSE CLAMP - 1Pcs	KIT-VALVOLA NEPLAX VITON 12BAR 1/8 - PORTAGOMMA- 1	
98240014100011	HEATING ELEMENT W/ NUTS 3000W	RESISTENZA COMPLETA DI DADI 3000W	
R98240014100011	KIT-HEATING ELEMENT W/ NUTS 3000W -1Pcs	KIT -RESISTENZA COMPLETA DI DADI 3000W-1PZ	
98240014100012	HEATING ELEMENT W/ NUTS 5000W	RESISTENZA COMPLETA DI DADI 5000W	
R98240014100012	KIT-HEATING ELEMENT W/ NUTS 5000W - 1Pcs	KIT-RESISTENZA COMPLETA DI DADI 5000W - 1Pz	
98240014100031	HEATING ELEMENT W/ NUTS 4500W	RESISTENZA COMPLETA DI DADI 4500W	
R98240014100031	KIT-HEATING ELEMENT W/ NUTS 4500W - 1Pcs	KIT-RESISTENZA COMPLETA DI DADI 4500W - 1Pz	



GRUPPO CALDAIE T3 (DAL 18-03-2016)

T3 BOILER GROUP (FROM 18-03-2016)



*Specify version
Specificare versione
**North America Market
Mercato Nord America



INSPIRED BY YOUR PASSION.

T.06-bis

**GRUPPO CALDAIE T3 (DAL 18-03-2016)****T3 BOILER GROUP (FROM 18-03-2016)**

COD.	DESCRIPTION	DESCRIZIONE	VAL.
00000048	SELF-TAPPING SCREW 2.9x4.5 TC/T.CR.	VITE AUTOF 2,9x4,5 TC/T.CR.	
00000054	GALV HIGH NUT M4	DADO AQ M4 ALTO ZINCATO	
00000060	GALV MEDIUM NUT AQ M3	DADO AQ M3 MEDIO ZINCATO	
00000094	S/S HEX CAP SCREW M8x20 5739	VITE INOX M8x20 TE 5739	
00000213	GALV SELF-TAPPING SCREW 4,2x16 TC T.CR.	VITE AUTOF 4,2x16 TC T.CR. ZIN	
00300002	BRASS NUT 1/4 D3 CH18	DADO OT 1/4 SPESS.3 CH18 AGG. 22.07.96	
R00300002	KIT-BRASS NUT 1/4 D3 - 15Pcs	KIT-DADO OT 1/4 SPESS.3 - 15Pz	
01000218	BOILER INSULATION D80 115x252,7	ISOLANTE CALDAIA D80 155x252,7	
R01000218	KIT-BOILER INSULATION D80 115x252,7 - 3Pcs	KIT-ISOLANTE CALDAIA D80 155x252,7 - 3Pz	
01000220	BOILER INSULATION SUPERIOR D80	ISOLANTE SUPER. D.80 CALDAIA	
R01000220	KIT-BOILER INSULATION SUPERIOR D80 - 8Pcs	KIT-ISOLANTE SUPER. D.80 CALDAIA - 8Pz	
01000222	BOILER INSULATION INFERIOR D80	ISOLANTE INFER. D.80 CALDAIA	
01000682	BOILER INSULATION 2GR T3 D.185 WITH VELCRO	ISOLANTE CALDAIA 2GR MACCHINE T3 MELAMMINA	
01000683	BOILER INSULATION 3GR T3 D.185 WITH VELCRO	ISOLANTE CALDAIA 3GR MACCHINE T3 MELAMMINA	
01000685	RIGHT BOILER INSULATION D.180 MELAMINE	ISOLANTE D.185 DX CALDAIA MACCHINE T3 MELAMMINA	
01000687	LEFT BOILER INSULATION D.180 MELAMINE	ISOLANTE D.185 SX CALDAIA MACCHINE T3 MELAMMINA	
02060015	GASKET FOR HEATING ELEMENT 067x054x2	GUARNIZIONE PTFE 067x054x2	
R02060015	KIT-GASKET FOR HEATING ELEMENT 067x054x2 - 8Pcs	KIT-GUARNIZIONE PTFE 067x054x2 - 8Pz	
02280032	GASKET O RING 114 D15 EP 851	GUARN. OR 114 D.15 EP 851	
R02280032	KIT-GASKET O RING 114 D15 EP - 25Pcs	KIT-GUARN. OR 114 D.15 EP - 25Pz	
02280044	GASKET O RING 14x1.78 EP851	GUARN. OR 14x1,78 EP851 2056 MS15	
03000004.1	DOUBLE BRACKET FOR THERMOSTAT	STAFFA DOPPIA x TERMOSTATO	
03003309	FIXING BOILER BRACKET 3GR	STAFFA FISSAGGIO CALDAIA VA388 3GR. "TUBI RAME"	
04000198	FOIL HOLDER M 6.3 D 4.2 45°	PRESA LAMELLARE M 6.3 d4.2 45°	
04000409	SAFETY THRST MAIN BOILER WIRING AURELIA II T3CSA	CABLAGGIO TERMOSTATO CALDAIA CAFFE' AURELIA II T3C	
04900775.1	TEMPERATURE PROBE 150°NTC ATT. 1/8 SS 4X20	SONDA TEMPERATURA 150 ATT. 1/8 INOX 4x20 AMP MODULI	
R04900775.1	KIT-TEMPERATURE PROBE 150°NTC ATT. 1/8 SS 4X20 - 1P	KIT-SONDA TEMPERATURA 150 ATT. 1/8 INOX 4x20- 1Pz	
05000047	SQAURE RESISTANCE COVER V0	COPRI RESISTENZA QUADRATA V0	
R05000047	KIT-SQUARE RESISTANCE COVER V0 - 6Pcs	KIT-COPRI RESISTENZA QUADRATA - 6Pz	
07300001	L FITTING 1/8 M-M 459	RACCORDO L 1/8 M-M(dimens. L 24 mm)	
07300067	NUT FITTING 3/8 GAS D11 ADD. 15.11.84 OT-58	DADO RACCORDO 3/8 GAS D11 AGG. 15.11.84 OT-58	
07300097.TEA	CLOSED TERMINAL D14 OT-57+SP. TREAT.	TERMINALE CHIUSO D 14 OT-57 + TEATURA	
07300121	FITTING L 1/4 M-M CYLIND ADD. 18.02.97	RACCORDO L 1/4 M-M CILINDRICOAGG. 18.02.97	
R07300121	KIT-FITTING L 1/4 M-M CYLIND - 8Pcs	KIT-RACCORDO L 1/4 M-M CILINDRICO - 8Pz	
07300251	FITTING 1/8 M-M HOLE 5,5 + THREADED M6 x L=11	RACCORDO 1/8 M-M FORO 5,5 + FILETT. M6 x L.=11	
R07300251	KIT-FITTING 1/8 M-M HOLE 5,5 + THREADED M6 x L=11 - 4P	KIT-RACCORDO 1/8 M-M FORO 5,5 + FILETT. M6 x L.=11- 4Pz	
07300858	FITTING 1/4M-1/4M OT-57 USA	RACCORDO 1/4M-1/4M OT-57 USA	
R07300858	KIT-FITTING 1/4M-1/4M - 15Pcs	KIT-RACCORDO 1/4M-1/4M - 15Pz	
07300862	PLUG 1/8 GAS Aisi304 + ORING POSITION	TAPPO 1/8 GAS + SEDE OR INOX Aisi304	
07300863	PLUG 1/4 GAS Aisi304 + ORING POSITION	TAPPO 1/4 GAS + SEDE OR INOX Aisi304	
09000005	COMPLETE AUTOLEVEL PROBE L=130	SONDA AUTOLIVELLO COMP. L=130	
R09000005	KIT-COMPLETE AUTOLEVEL PROBE L=130 - 1Pcs	KIT-SONDA AUTOLIVELLO COMP. L=130 - 1Pz	
09500002	AUTOMATIC THERMOSTAT 125°C WHITE DRIPPING	TERMOSTATO RIARMO AUTO. 125°C GOCCIOLATURA BIAN	
09500004	MANUAL THERMOSTAT 135°C GREEN DRIPPING	TERMOSTATO R.MAN. 135C GOCCIOLATURA VERDE	
R09500004	KIT-MANUAL THERMOSTAT 135°C GREEN DRIPPING - 2Pc	KIT-TERMOSTATO R.MAN. 135C GOCCIOLATURA VERDE- 2	
09500014	HEATING ELEMENT THERMAL PROTECTION G5 167°C 16A	TERMOPROTETTORE x RESISTENZA G5 167°C 16A 250V UL	
R09500014	KIT-HEATING ELEMENT THERMAL PROTECTION - 2Pcs	KIT-TERMOPROTETTORE x RESISTENZA G5 167°C 16A 250	



GRUPPO CALDAIE T3 (DAL 18-03-2016)

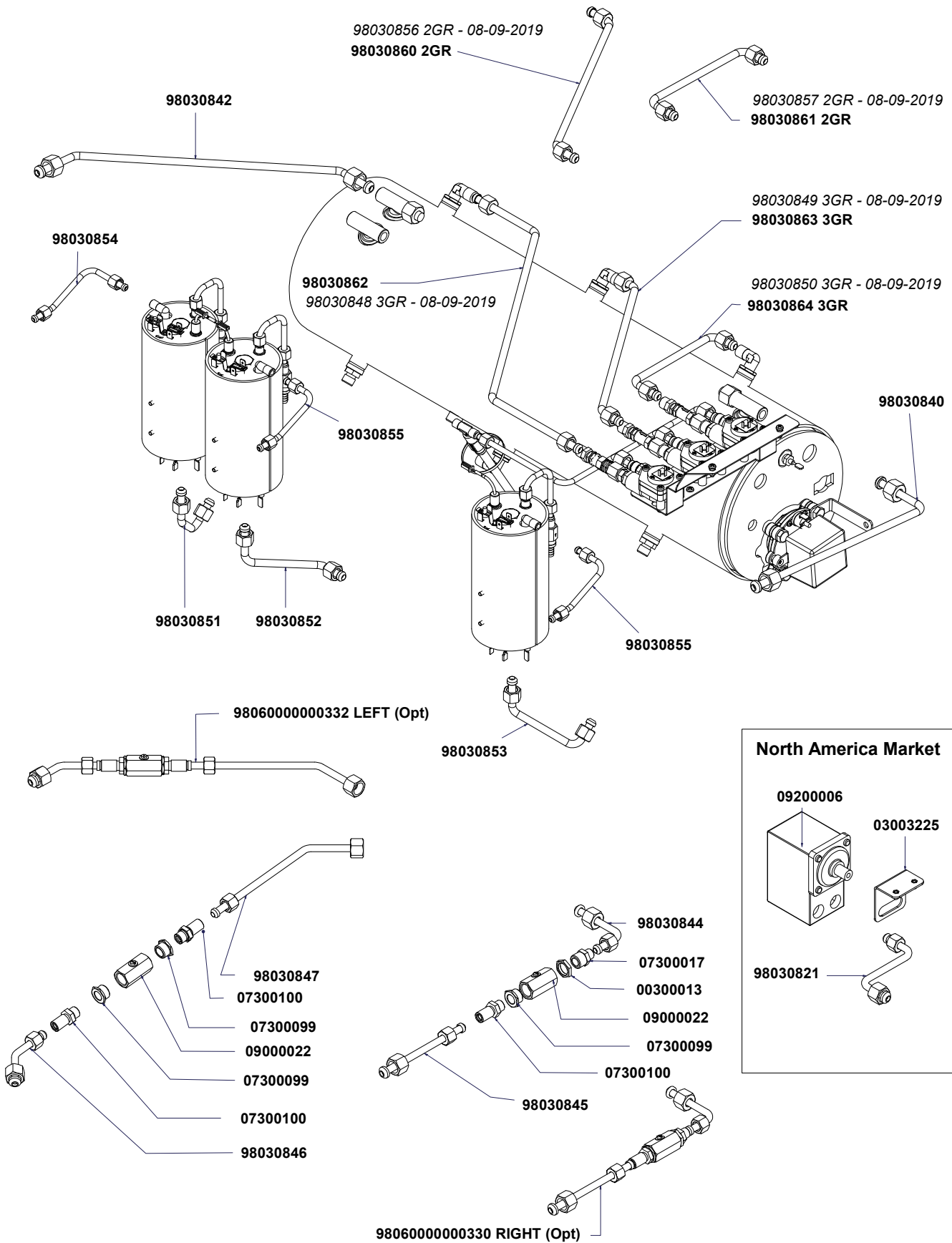
T3 BOILER GROUP (FROM 18-03-2016)

COD.	DESCRIPTION	DESCRIZIONE	VAL.
48000010	DISPENSING TUBE VENUS 2-3 GR	TUBO EROGAZIONE GRUPPO	
98030000009880002	COFFEE BOILER SET COPPER TUBES VA388 208-240V CSA	ASS. CALDAIA CAFFE' "TUBI RAME" VA388 208-240V CSA	
98030000009880001	COFFEE BOILER SET COPPER TUBES VA388 230V	ASS. CALDAIA CAFFE' "TUBI RAME" VA388 230V	
98030000009890001	COFFEE BOILER SET COPP TUBES RIGHT GROUP VA388	ASS. CALDAIA CAFFE' "TUBI RAME" GR. DX VA388 230V	
98030000009890002	COFFEE BOILER SET COPP TUBES RIGHT GROUP VA388	ASS. CALDAIA CAFFE' "TUBI RAME" GR. DX VA388208-240V	
980300000009992	BOILER SET VA388 2GR CURVED FLANGE	ASSIEME CALDAIA VA388 2GR. "DOPPIA COPPA"	
980300000009993	BOILER SET VA388 3GR CURVED FLANGE	ASSIEME CALDAIA VA388 3GR. "DOPPIA COPPA"	
98030500	INN COFFEE BOILER TEFLON TUBE SET AURELIAIT3 COF	ASS. TUBO TEFLON INTER.CALDAIA CAFFE' T3 TUBI RAME	
R98030500	KIT-INN COFFEE BOILER TEFLON TUBE SET - 3Pcs	KIT-ASSIEME TUBO TEFLON INTERNO CALDAIA CAFFE' T3-	
98120001	NEPLAX VITON 16,5 BAR VALVE 1/8 HOSE CLAMP	VALVOLA NEPLAX VITON 16,5 BAR 1/8 - PORTAGOMMA	
R98120001	KIT-NEPLAX VITON 16,5 BAR VALVE 1/8 HOSE CLAMP - 2P	KIT-VALVOLA NEPLAX VITON 16,5 BAR 1/8 - PORTAGOMMA	
98240014100011	HEATING ELEMENT W/ NUTS 3000W	RESISTENZA COMPLETA DI DADI 3000W	
R98240014100011	KIT-HEATING ELEMENT W/ NUTS 3000W -1Pcs	KIT -RESISTENZA COMPLETA DI DADI 3000W-1PZ	
98240014100012	HEATING ELEMENT W/ NUTS 5000W	RESISTENZA COMPLETA DI DADI 5000W	
R98240014100012	KIT-HEATING ELEMENT W/ NUTS 5000W - 1Pcs	KIT-RESISTENZA COMPLETA DI DADI 5000W - 1Pz	
98240014100031	HEATING ELEMENT W/ NUTS 4500W	RESISTENZA COMPLETA DI DADI 4500W	
R98240014100031	KIT-HEATING ELEMENT W/ NUTS 4500W - 1Pcs	KIT-RESISTENZA COMPLETA DI DADI 4500W - 1Pz	



TUBAZIONI RAME (DAL 18-03-2016)

COPPER PIPES (FROM 18-03-2016)

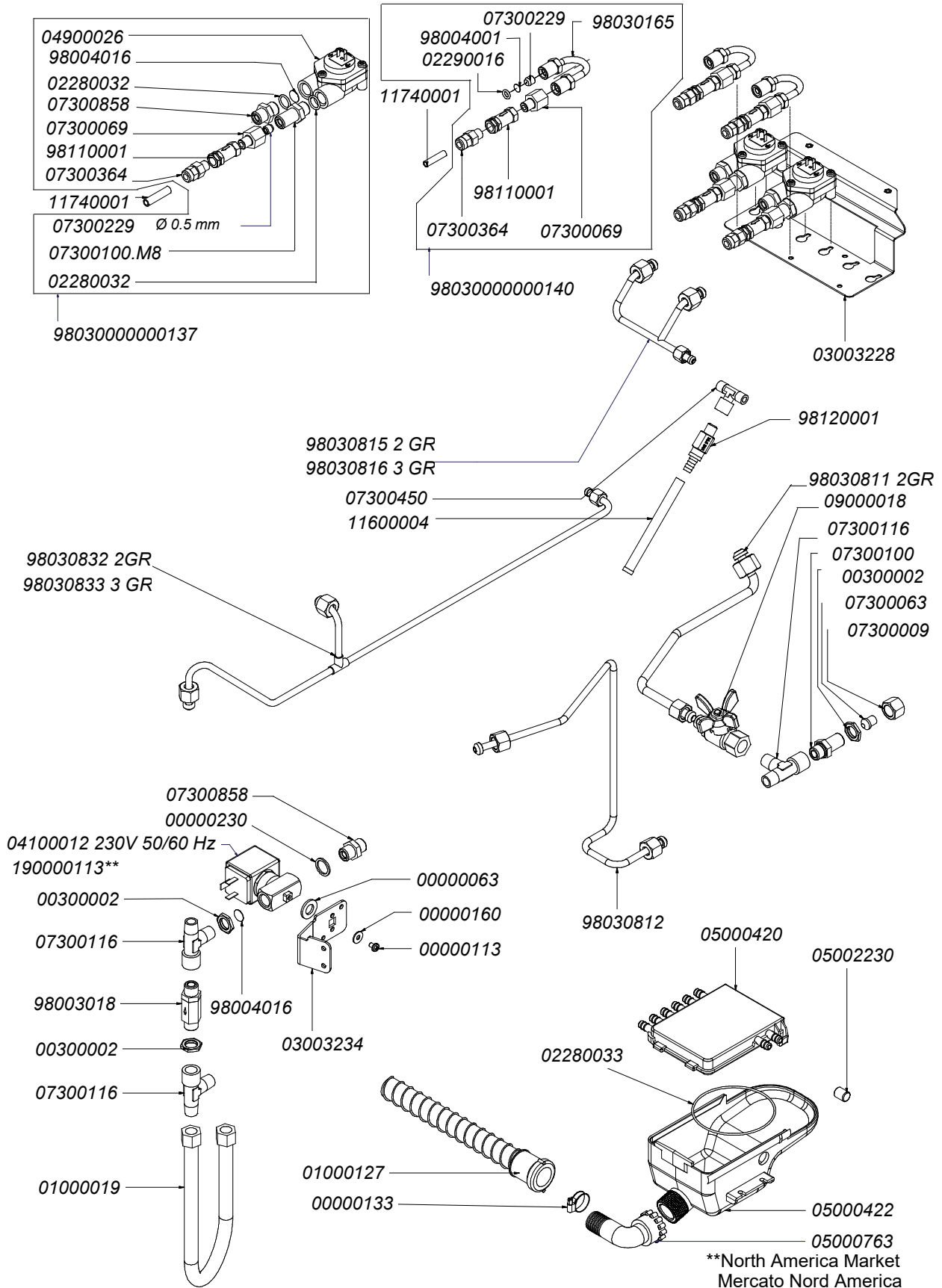



TUBAZIONI RAME (DAL 18-03-2016)
COPPER PIPES (FROM 18-03-2016)

COD.	DESCRIPTION	DESCRIZIONE	VAL.
98030864	EXT. FLOWMETER GIGLER-BOILER TUBE VA388 3GR-GRC	TUBO DOSAT. GIGLER ESTERNO - CALDAIA VA388 3GR.GR	
00300013	BRASS NUT 3/8 GAS D4 CH20 ADD 22.07.96	DADO OT 3/8 GAS SPES.4 CH20 AGG.22.07.96	
03003225	SAFETY PRESSOSTAT SUPPORT VA388	LAMIERA SUPP. PRESSOSTATO MECCANICO VA388	
07300017	FITTING 1/4M 3/8M GAS OT-57 USA	RACCORDO 1/4M 3/8M GAS OT-57 USA	
07300099	FITTING ADAPTER 3/8-1/4 ES. 20 ADD. 29.05.96	RIDUZIONE 3/8-1/4 ES.20 AGG. 29.05.96	
07300100	DISCHARGE ATTACHMENT 1/4 1/4 OT-57 USA	ATTACCO SCAR. 1/4-1/4 OT-57 USA	
09000022	SPHERE TAP FOR STEAM 3/8F-FMINI SCREWDRIVER CLO	RUBINET. SFERA x VAPORE 3/8F-FMINI CHIUSACCIAVITE	
09200006	MACHINE PRESSO GAUGE CE/UL TRIF. 30A 400V 0,5-1,4BA	PRESSOSTATO MACCHINA CE/UL TRIF. 30A 400V0,5-1,4BA	
R09200006	KIT-MACHINE PRESSO GAUGE CE/UL TRIF. 30A 400V - 1Pz	KIT-PRESSOSTATO MACCHINA CE/UL TRIF. 30A 400V- 1Pz	
98030821	BOILER-PRESSURE GAUGE TUBE VA388 CURVED FLANG	TUBO CALDAIA - PRESSOSTATO VA388 DOPPIA COPPA SC	
98030840	RIGHT STEAMWAND TUBE VA388 CURVED FLANGE	TUBO LANCIA VAPORE DX VA388 DOPPIA COPPA	
98030842	LEFT STEAMWAND TUBE VA388 CURVED FLANGE	TUBO LANCIA VAPORE SX VA388 DOPPIA COPPA	
98030844	BOILER- RIGHT SOL. VALVE EASYCREAM PIPE	TUBO CALDAIA-E.V. EASY CREAM DX VA388 2-3 GR.DOPPIA	
98030845	EASYCREAM SOL. VALVE-RIGHT WAND	TUBO E.V. EASY CREAM - LANCIA DX VA388 DOPPIACOPPA	
98030846	BOILER-LEFT EASYCREAM VLVE TUBE VA388 CURVEDFL	TUBO CALDAIA-E.V. EASY CREAM SX VA388 DOPPIA COPP	
98030847	EASYCREAM VALVE-LEFT WAND TUBE VA388 CURVED FL	TUBO E.V. EASY CREAM - LANCIA SX VA388 DOPPIACOPPA	
98030848	FLOWMTER-CURVE FLANGE BOILER TUBE VA388 3GR-GF	TUBO DOSATORE - CALDAIA VA388 3GR. GRUPPO 1 DOPPI	
98030849	FLOWMTER-CURVE FLANGE BOILER TUBE VA388 3GR-GF	TUBO DOSATORE - CALDAIA VA388 3GR. GRUPPO 2 DOPPI	
98030850	FLOWMTER-CURVE FLANGE BOILER TUBE VA388 3GR-GF	TUBO DOSATORE - CALDAIA VA388 3GR. GRUPPO 3 DOPPI	
98030851	BOILER-COFFEE BOILER TUBE VA388GROUP1 CURVE FL	TUBO CALDAIA-CALDAIETTA VA388 GRUPPO 1 DOPPIACOF	
98030852	BOILER-COFFEE BOILER TUBE VA388GROUP2 CURVE FL	TUBO CALDAIA-CALDAIETTA VA388 GRUPPO 2 DOPPIACOF	
98030853	BOILER-COFFEE BOILER TUBE VA388GROUP3 CURVE FL	TUBO CALDAIA-CALDAIETTA VA388 GRUPPO 3 DOPPIACOF	
98030854	COFFEE BOILER-GR TUBE VA388 GROUP1 CURVED FLAN	TUBO CALDAIETTA-GRUPPO VA388 GRUPPO 1 DOPPIA CO	
98030855	COFFEE BOILER-GR TUBE VA388 GROUP2-3 CURVED FLA	TUBO CALDAIETTA-GRUPPO VA388 GRUPPO 2-3 DOPPIAC	
98030856	FLOWMTER-CURVE FLANGE BOILER TUBE VA388 2GR-GF	TUBO DOSATORE - CALDAIA VA388 2GR. GRUPPO 1 DOPPI	
98030857	FLOWMTER-CURVE FLANGE BOILER TUBE VA388 2GR-GF	TUBO DOSATORE - CALDAIA VA388 2GR. GRUPPO 2 DOPPI	
98030860	EXT. FLOWMETER GIGLER-BOILER TUBE VA388 2GR-GRC	TUBO DOSAT. GIGLER ESTERNO - CALDAIA VA388 2GR.GR	
98030861	EXT. FLOWMETER GIGLER-BOILER TUBE VA388 2GR-GRC	TUBO DOSAT. GIGLER ESTERNO - CALDAIA VA388 2GR.GR	
98030862	EXT. FLOWMETER GIGLER-BOILER TUBE VA388 3GR-GRC	TUBO DOSAT. GIGLER ESTERNO - CALDAIA VA388 3GR.GR	
98030863	EXT. FLOWMETER GIGLER-BOILER TUBE VA388 3GR-GRC	TUBO DOSAT. GIGLER ESTERNO - CALDAIA VA388 3GR.GR	
98060000000330	RIGHT STEAM TAP + TUBE LOCKS SET VA388 T3	ASS. RUBINETTO + TUBI CHIUSURA VAPORE DX VA388 T3	
98060000000332	LEFT STEAM TAP + TUBE LOCKS SET VA388 T3	ASS. RUBINETTO + TUBI CHIUSURA VAPORE SX VA388 T3	



PARTI GRUPPO IDRAULICO (FINO AL 17-03-2016)
HYDR. GROUP PARTS (UNTIL 17-03-2016)





PARTI GRUPPO IDRAULICO (FINO AL 17-03-2016)

HYDR. GROUP PARTS (UNTIL 17-03-2016)

COD.	DESCRIPTION	DESCRIZIONE	VAL.
00000063	GALV WASHER AQ D10X21X2	RONDELLA AQ D 10x21x2 ZN	
00000113	S/S CROS SHEAD CAP SCREW M4x6 7985	VITE INOX M4x6 TC TCR 7985	
00000133	S/S CLIP WD12 16-25 C7 W2	FASCETTA INOX WD12 16-25 C7 W2	
00000160	S/S WASHER D4X12 UNI 6593	RONDELLA INOX D4x12x1 UNI 6593	
00000230	COPPER WASHER SEAL 14X18X1.5	RONDELLA GUARNIZIONE RAME RICOTTO 14x18x1.5	
00300002	BRASS NUT 1/4 D3 CH18	DADO OT 1/4 SPESS.3 CH18 AGG. 22.07.96	
R00300002	KIT-BRASS NUT 1/4 D3 - 15Pcs	KIT-DADO OT 1/4 SPESS.3 - 15Pz	
01000019	S/S FLEXIBLE TUBE 1/4 FF L= 500	TUBO FLESS.INOX 1/4 F-F L=500	
R01000019	KIT-S/S FLEXIBLE TUBE 1/4 FF L= 500 - 1Pcs	KIT-TUBO FLESS.INOX 1/4 F-F L=500 - 1Pz	
01000127	DIRECT SLEEVE DISCHARGE TUBE D19 L=2m	TUBO SCARICO CON MANICOTTO DIRITTO D.19 L= 2 m	
R01000127	KIT-DIRECT SLEEVE DISCHARGE TUBE D19 L=2m - 2Pcs	KIT-TUBO SCARICO CON MANICOTTO DIRITTO D.19 L= 2 m	
02280032	GASKET O RING 114 D15 EP 851	GUARN. OR 114 D.15 EP 851	
R02280032	KIT-GASKET O RING 114 D15 EP - 25Pcs	KIT-GUARN. OR 114 D.15 EP - 25Pz	
02280033	GASKET O RING 75,92x1,78 NBR XP70	GUARN. OR 75,92x1,78 NBR XP70 2300	
R02280033	KIT-GASKET O RING 75,92x1,78 NBR - 20Pcs	KIT-GUARN. OR 75,92x1,78 NBR - 20Pz	
02290016	GASKET O RING D9,5 R5 SIL RED	GUARN. OR D 9,5 R5 SILICONE R.	
R02290016	KIT-GASKET O RING D9,5 SIL RED - 30Pcs	KIT-GUARN. OR D 9,5 SILICONE R. - 30Pz	
03003234	SUPPORT SHEET SELF LEVEL VALVE	LAMIERA SUPP. EV LIVELLO VA388	
04100012	2WAY SOLENOID 1/4-1/4 220-230V50/60hz F1.5 UL TH2xM5	E.V. NC 2VIE 1/4-1/4 220-230V 50/60HZ VITON F1.5CE PIEDIN	
R04100012	KIT-2WAY SOLENOID 1/4-1/4 220-230V50/60hz F1.5 - 1Pcs	KIT-E.V. NC 2VIE 1/4-1/4 220-230V 50/60HZ VITON- 1Pz	
04900026	BRASS FLOWMETER 1/4-1/4GAS -ATT. HEAD 2,8x0,5F 1,2 "	DOSATORE VOLUMETRICO OTT. 1/4-1/4GAS -ATT. TEST.2,8	
05000420	TRAY PLUG UNDER PLATE VA388	TAPPO VASCHETTA SOTTO PIATTO VA388	
05000422	DRIP TRAY UNDER PLATED VA388	VASCHETTA SOTTO PIATTO VA388	
05000763	CONNECTION 3/4 90°F FOR DRAINING TUBE	RACCORDO ATT. 3/4Fx19 90° x TUBO DI SCARICO	
R05000763	KIT-CONNECTION 3/4 90°F FOR DRAINING TUBE - 4Pcs	KIT-RACCORDO ATT. 3/4Fx19 90° x TUBO DI SCARICO- 4Pz	
05002230	DRAIN RUBBER PLUG D8 x 05002228	TAPPO GOMMA SCARICO D.8 x 05002228	
07300009	NUT FITTING 1/4 GAS	DADO RACCORDO 1/4 GAS	
07300063	CLOSED TERMINAL D11	TERMINALE CHIUSO D.11 OT-58	
07300069	1/8" M 1/4" F FITTING ADD. 02.03.88	RACCORDO 1/8"M 1/4"F AGG. 02.03.88	
07300100	DISCHARGE ATTACHMENT 1/4 1/4 OT-57 USA	ATTACCO SCAR. 1/4-1/4 OT-57 USA	
07300100.M8	DISCHARGE ATTACHMENT 1/4 1/4 + INT M8 OT-57 USA	ATTACCO SCAR. 1/4-1/4 + INT M8 OT-57 USA	
R07300100.M8	KIT-DISCHARGE ATTACHMENT 1/4 1/4 + INT - 8Pcs	KIT-ATTACCO SCAR. 1/4-1/4 + INT M8 - 8Pz	
07300116	FITTING T 1/4 M-M-F OT-57	RACCORDO T 1/4 M-M-F OT-57	
R07300116	KIT-FITTING T 1/4 M-M-F - 5Pcs	KIT-RACCORDO T 1/4 M-M-F - 5Pz	
07300229	GIGLEUR M8X8 F.0,5 OT-57 + TEA	GIGLER M8x8 F.0,5 OT-57 +TEA	
R07300229	KIT-GIGLEUR M8X8 F.0,5 + TEA - 15Pcs	KIT-GIGLER M8x8 F.0,5 - 15Pz	
07300364	STRAIGHT FITTING 1/8 M CON. - FITTING.6 340	RACCORDO DIR. 1/8 M CON. - CALZAM.6 340	
R07300364	KIT-STRAIGHT FITTING 1/8 M CON. - FITTING.6 340 - 8Pcs	KIT-RACCORDO DIR. 1/8 M CON. - CALZAM.6 - 8Pz	
07300450	FITTING T 1/8 M-F-M OT-57	RACCORDO T 1/8 M-F-M OT-57	
07300858	FITTING 1/4M-1/4M OT-57 USA	RACCORDO 1/4M-1/4M OT-57 USA	
R07300858	KIT-FITTING 1/4M-1/4M - 15Pcs	KIT-RACCORDO 1/4M-1/4M - 15Pz	
09000018	DISPENSING SPHERE TAP 1/4 M-F "BUTTERFLY"	RUBINET. SFERA DISTRIBUTORE 1/4 M-F A FARFALLA	
11600004	SILICONE PIPE 5x9 60Sh PEROX WHITE SEMITRASPAREN	TUBO SILICONE 5x9 70Sh PEROX TRASPARENTE(1mt=50gr)	
11740001	TEFLON PIPE 6/4	TUBO TEFLON 6/4	
190000113	2 WAYS SOLENOID 1/4-1/4 208-240V 60Hz FKM F1.5 UL NSF	E.V. NC 2VIE 1/4-1/4 208-240V 60Hz FKM F1,5 UL NSF	
98003018	RETURN VALVE 98 ES.16	VALVOLA RITEGNO 98 ES.16	
98004001	S/S FILTER D8	FILTRO INOX DIAM. 8	



PARTI GRUPPO IDRAULICO (FINO AL 17-03-2016)

HYDR. GROUP PARTS (UNTIL 17-03-2016)

COD.	DESCRIPTION	DESCRIZIONE	VAL.
98004016	S/S FILTER D12	FILTRO INOX DIAM. 12	
R98004016	KIT-S/S FILTER D12 - 25Pcs	KIT-FILTRO INOX DIAM. 12 - 25Pz	
9803000000137	FLOWMETER SET AURELIA II T3 GIGLER F0,5	ASSIEME DOSATORE AURELIA II T3 GIGLER F.0,5	
9803000000140	HYDRAULIC GR-BOILER TUBE AURELIA II T3 GIGLER F0,5	ASS. TUBO COLL. GR.IDRAULICO -CALDAIA AURELIA IIT3 G	
98030165	TUBE 1/4 1/4 SEMI-AUTO MODIFY APPIA 1-2-3GR	TUBO 1/4 1/4 MODIFICA SEMIAUT APPIA 1-2-3 GR.	
98030811	BOILER CHARGE PIPE VA388 2GR. ONLY FOR BOILER WITH	TUBO CARICO CALDAIA VA388 2GR.SOLO PER CALDAIA CO	
98030812	LEVEL VALVE - TAP TUBE VA388 CURVED FLANGE BOILER	TUBO E.V. LIVELLO - RUBINETTO VA388 CALDAIA DOPPIA C	
98030815	CONN.MANIFOLD-FLOWMETER VA388 2GR CURV FLANGE	CROCIERA COLLEGAMENTO DOSATORI VA388 2GR. CALDA	
98030816	CONN.MANIFOLD-FLOWMETER VA388 3GR CURV FLANGE	CROCIERA COLLEGAMENTO DOSATORI VA388 3GR. CALDA	
98030832	LEVEL/PUMP TUBE-MANIFOLD VA388 2GR CURV FLANGE	TUBO UNICO E.V. LIVELLO/POMPA - CROCIERA VA388 2GR	
98030833	LEVEL/PUMP TUBE-MANIFOLD VA388 3GR CURV FLANGE	TUBO UNICO E.V. LIVELLO/POMPA - CROCIERA VA388 3GR	
98110001	RETURN VALVE 1/8 F-FOT-58	VALVOLA RITEGNO COMPL. 1/8 F-F OT-58	
R98110001	KIT-RETURN VALVE 1/8 F-F - 3Pcs	KIT-VALVOLA RITEGNO COMPL. 1/8 F-F - 3Pz	
98120001	NEPLAX VITON 16,5 BAR VALVE 1/8 HOSE CLAMP	VALVOLA NEPLAX VITON 16,5 BAR 1/8 - PORTAGOMMA	
R98120001	KIT-NEPLAX VITON 16,5 BAR VALVE 1/8 HOSE CLAMP - 2P	KIT-VALVOLA NEPLAX VITON 16,5 BAR 1/8 - PORTAGOMMA	



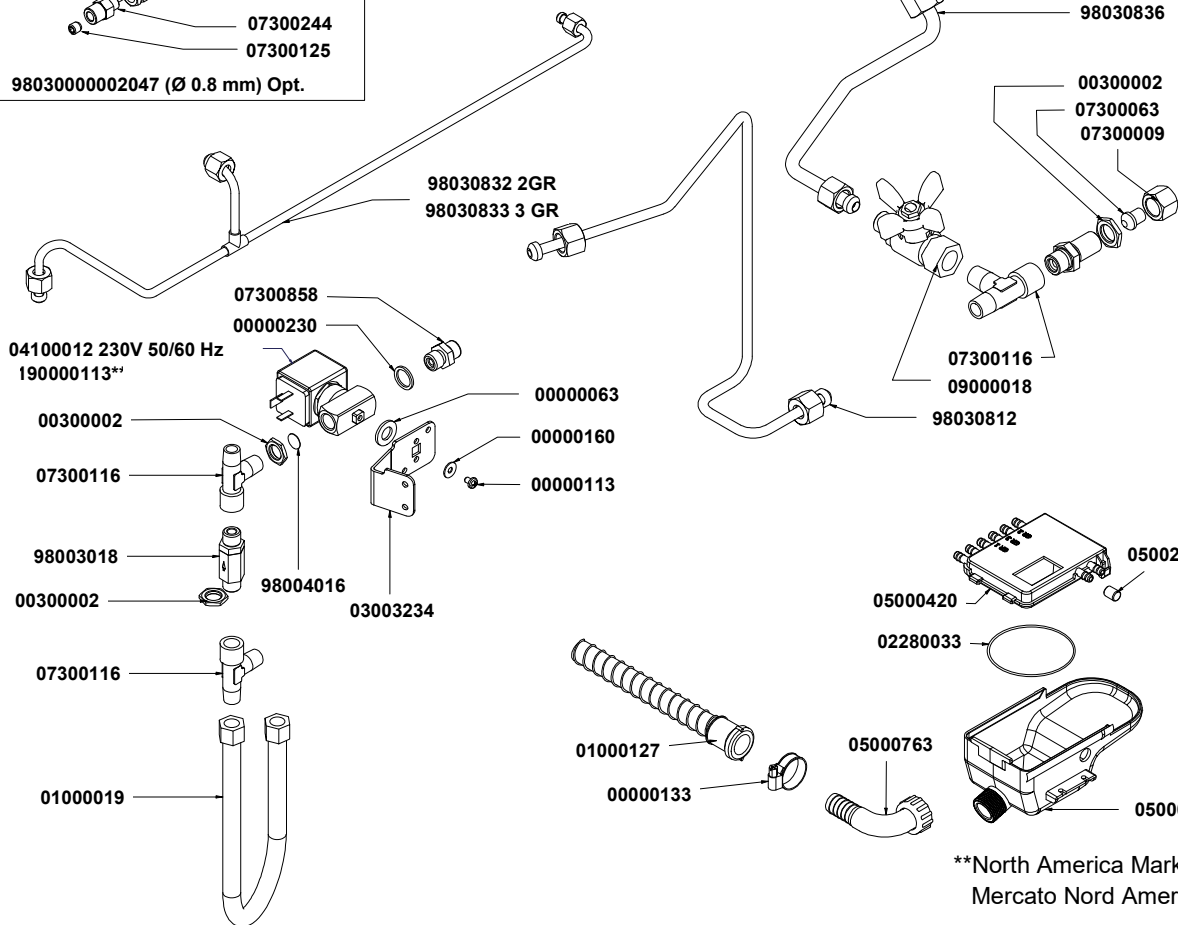
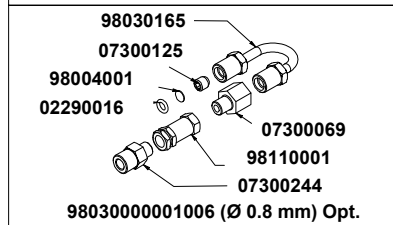
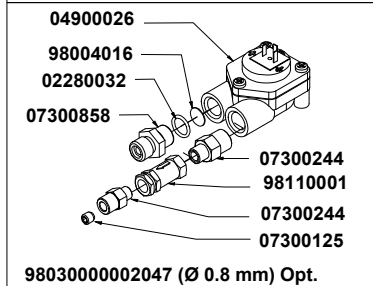
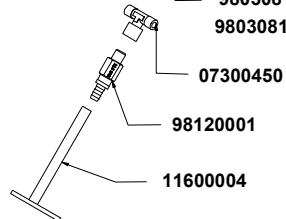
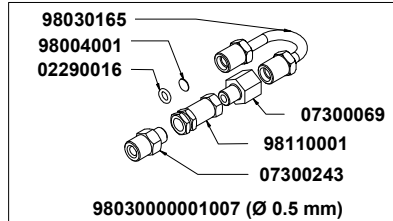
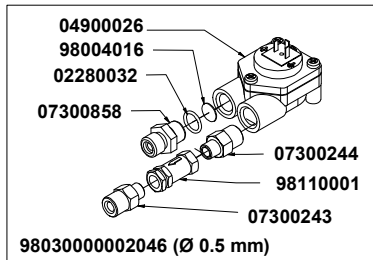
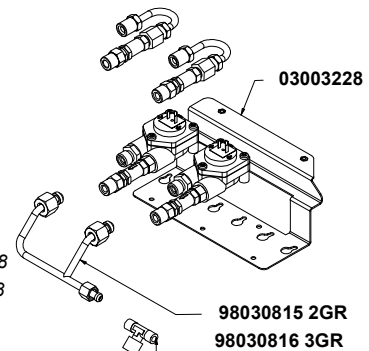
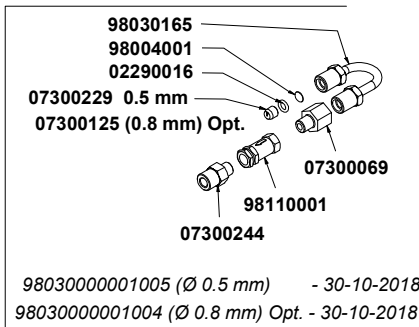
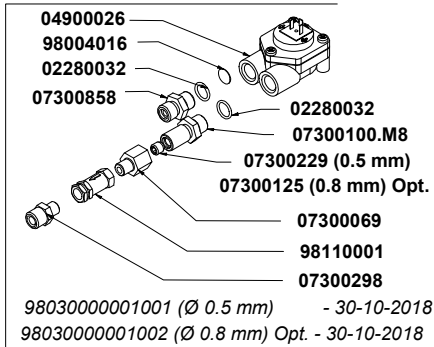
INSPIRED BY YOUR PASSION.

T.08



PARTI GRUPPO IDRAULICO (DAL 18-03-2016)

HYDR. GROUP PARTS (FROM 18-03-2016)



**North America Market
Mercato Nord America



PARTI GRUPPO IDRAULICO (DAL 18-03-20

HYDR. GROUP PARTS (FROM 18-03-2016)

COD.	DESCRIPTION	DESCRIZIONE	VAL.
00000063	GALV WASHER AQ D10X21X2	RONDELLA AQ D 10x21x2 ZN	
00000113	S/S CROS SHEAD CAP SCREW M4x6 7985	VITE INOX M4x6 TC TCR 7985	
00000133	S/S CLIP WD12 16-25 C7 W2	FASCETTA INOX WD12 16-25 C7 W2	
00000160	S/S WASHER D4X12 UNI 6593	RONDELLA INOX D4x12x1 UNI 6593	
00000230	COPPER WASHER SEAL 14X18X1.5	RONDELLA GUARNIZIONE RAME RICOTTO 14x18x1.5	
00300002	BRASS NUT 1/4 D3 CH18	DADO OT 1/4 SPESS.3 CH18 AGG. 22.07.96	
R00300002	KIT-BRASS NUT 1/4 D3 - 15Pcs	KIT-DADO OT 1/4 SPESS.3 - 15Pz	
01000019	S/S FLEXIBLE TUBE 1/4 FF L= 500	TUBO FLESS.INOX 1/4 F-F L=500	
R01000019	KIT-S/S FLEXIBLE TUBE 1/4 FF L= 500 - 1Pcs	KIT-TUBO FLESS.INOX 1/4 F-F L=500 - 1Pz	
01000127	DIRECT SLEEVE DISCHARGE TUBE D19 L=2m	TUBO SCARICO CON MANICOTTO DIRITTO D.19 L= 2 m	
R01000127	KIT-DIRECT SLEEVE DISCHARGE TUBE D19 L=2m - 2Pcs	KIT-TUBO SCARICO CON MANICOTTO DIRITTO D.19 L= 2 m-	
02280032	GASKET O RING 114 D15 EP 851	GUARN. OR 114 D.15 EP 851	
R02280032	KIT-GASKET O RING 114 D15 EP - 25Pcs	KIT-GUARN. OR 114 D.15 EP - 25Pz	
02280033	GASKET O RING 75,92x1,78 NBR XP70	GUARN. OR 75,92x1,78 NBR XP70 2300	
R02280033	KIT-GASKET O RING 75,92x1,78 NBR - 20Pcs	KIT-GUARN. OR 75,92x1,78 NBR - 20Pz	
02290016	GASKET O RING D9,5 R5 SIL RED	GUARN. OR D 9,5 R5 SILICONE R.	
R02290016	KIT-GASKET O RING D9,5 SIL RED - 30Pcs	KIT-GUARN. OR D 9,5 SILICONE R. - 30Pz	
03003228	FLOW METER SUPPORT VA388	LAMIERA SUPP. DOSATORI VA388	
03003234	SUPPORT SHEET SELF LEVEL VALVE	LAMIERA SUPP. EV LIVELLO VA388	
04100012	2WAY SOLENOID 1/4-1/4 220-230V50/60hz F1.5 UL TH2xM5	E.V. NC 2VIE 1/4-1/4 220-230V 50/60HZ VITON F1.5CE PIEDIN	
R04100012	KIT-2WAY SOLENOID 1/4-1/4 220-230V50/60hz F1.5 - 1Pcs	KIT-E.V. NC 2VIE 1/4-1/4 220-230V 50/60HZ VITON- 1Pz	
04900026	BRASS FLOWMETER 1/4-1/4GAS -ATT. HEAD 2,8x0,5F 1,2 "	DOSATORE VOLUMETRICO OTT. 1/4-1/4GAS -ATT. TEST.2,8	
05000420	TRAY PLUG UNDER PLATE VA388	TAPPO VASCHETTA SOTTO PIATTO VA388	
05000422	DRIP TRAY UNDER PLATED VA388	VASCHETTA SOTTO PIATTO VA388	
05000763	CONNECTION 3/4 90°F FOR DRAINING TUBE	RACCORDO ATT. 3/4Fx19 90° x TUBO DI SCARICO	
R05000763	KIT-CONNECTION 3/4 90°F FOR DRAINING TUBE - 4Pcs	KIT-RACCORDO ATT. 3/4Fx19 90° x TUBO DI SCARICO- 4Pz	
05002230	DRAIN RUBBER PLUG D8 x 05002228	TAPPO GOMMA SCARICO D.8 x 05002228	
07300009	NUT FITTING 1/4 GAS	DADO RACCORDO 1/4 GAS	
07300063	CLOSED TERMINAL D11	TERMINALE CHIUSO D.11 OT-58	
07300069	1/8" M 1/4" F FITTING ADD. 02.03.88	RACCORDO 1/8"M 1/4"F AGG. 02.03.88	
07300100.M8	DISCHARGE ATTACHMENT 1/4 1/4 + INT M8 OT-57 USA	ATTACCO SCAR. 1/4-1/4 + INT M8 OT-57 USA	
R07300100.M8	KIT-DISCHARGE ATTACHMENT 1/4 1/4 + INT - 8Pcs	KIT-ATTACCO SCAR. 1/4-1/4 + INT M8 - 8Pz	
07300116	FITTING T 1/4 M-M-F OT-57	RACCORDO T 1/4 M-M-F OT-57	
R07300116	KIT-FITTING T 1/4 M-M-F - 5Pcs	KIT-RACCORDO T 1/4 M-M-F - 5Pz	
07300125	GIGLEUR M8x8 F.0,8 OT-57 +TEA	GIGLER M8x8 F.0,8 OT-57 +TEA	
R07300125	KIT-GIGLEUR M8x8 F.0,8 +TEA - 15Pcs	KIT-GIGLER M8x8 F.0,8 - 15Pz	
07300229	GIGLEUR M8X8 F.0,5 OT-57 + TEA	GIGLER M8x8 F.0,5 OT-57 +TEA	
R07300229	KIT-GIGLEUR M8X8 F.0,5 + TEA - 15Pcs	KIT-GIGLER M8x8 F.0,5 - 15Pz	
07300243	FITTING 1/4M 1/8M GIGLER F.0,5	RACCORDO 1/4M-1/8M GIGLER F.0,5 INOX Aisi303	
07300244	FITTING 1/4M 1/8M + THREADED M8 Aisi303	RACCORDO 1/4M-1/8M + FILETT.M8 INOX Aisi303	
07300298	GIGLER SUPPORT 1/8 1/4 - THREADED M8 OT-57	PORTA GIGLER 1/8 1/4 + FILETT.M8 OT-57	
07300450	FITTING T 1/8 M-F-M OT-57	RACCORDO T 1/8 M-F-M OT-57	
07300858	FITTING 1/4M-1/4M OT-57 USA	RACCORDO 1/4M-1/4M OT-57 USA	
R07300858	KIT-FITTING 1/4M-1/4M - 15Pcs	KIT-RACCORDO 1/4M-1/4M - 15Pz	
09000018	DISPENSING SPHERE TAP 1/4 M-F "BUTTERFLY"	RUBINET. SFERA DISTRIBUTORE 1/4 M-F A FARFALLA	
11600004	SILICONE PIPE 5x9 60Sh PEROX WHITE SEMITRASPAREN	TUBO SILICONE 5x9 70Sh PEROX TRASPARENTE(1mt=50gr)	
190000113	2 WAYS SOLENOID 1/4-1/4 208-240V 60Hz FKM F1.5 UL NSF	E.V. NC 2VIE 1/4-1/4 208-240V 60Hz FKM F1,5 UL NSF	



PARTI GRUPPO IDRAULICO (DAL 18-03-2016)

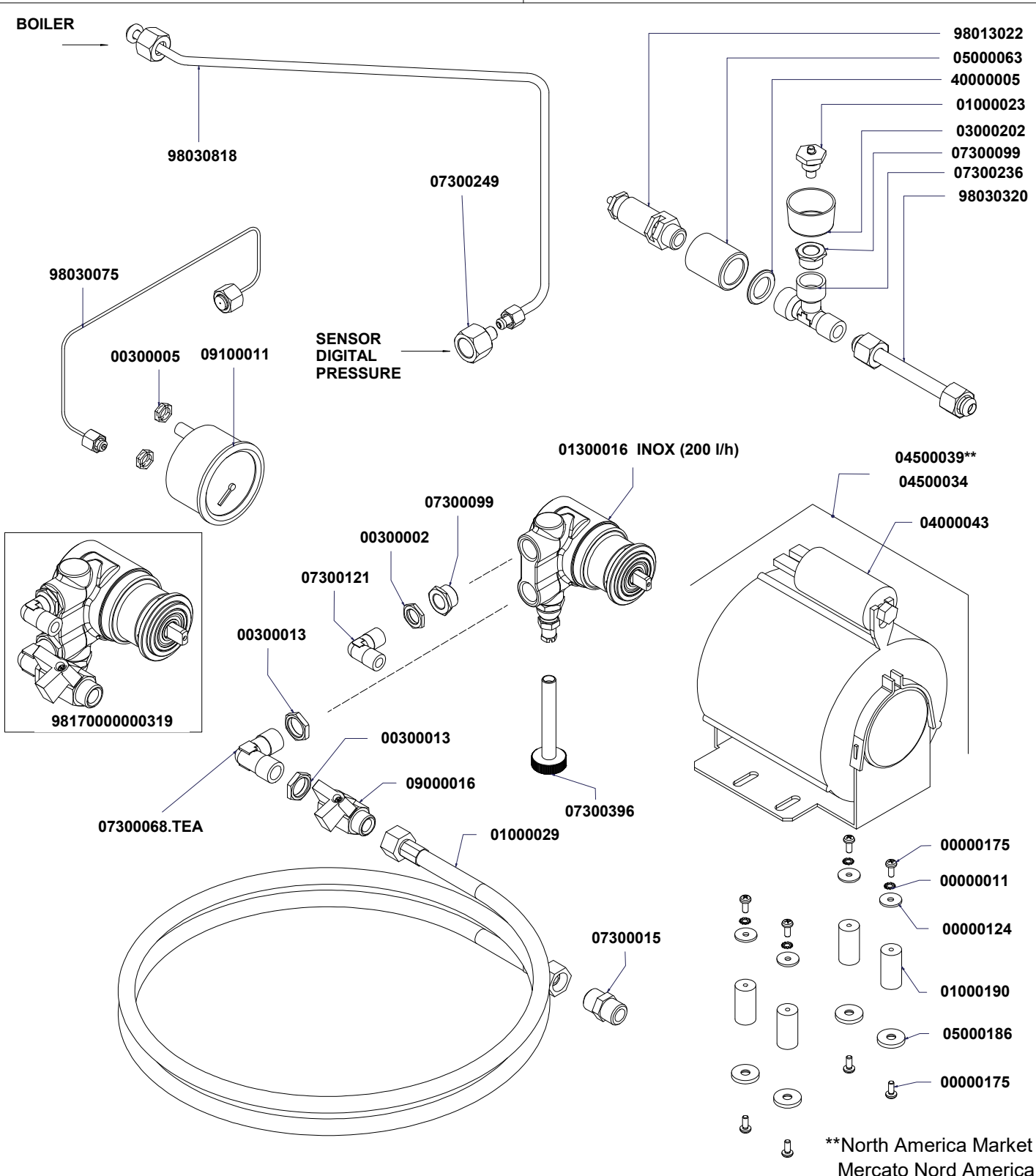
HYDR. GROUP PARTS (FROM 18-03-2016)

COD.	DESCRIPTION	DESCRIZIONE	VAL.
98003018	RETURN VALVE 98 ES.16	VALVOLA RITEGNO 98 ES.16	
98004001	S/S FILTER D8	FILTRO INOX DIAM. 8	
98004016	S/S FILTER D12	FILTRO INOX DIAM. 12	
R98004016	KIT-S/S FILTER D12 - 25Pcs	KIT-FILTRO INOX DIAM. 12 - 25Pz	
98030000001001	T3 MACHINE FLOWMETER SET COPPER TUBES GIGLER 0,5	ASS. DOSATORE MACCHINE T3 "TUBI RAME" GIGLER 0,5	
98030000001002	T3 MACHINE FLOWMETER SET COPPER TUBES GIGLER 0,8	ASS. DOSATORE MACCHINE T3 "TUBI RAME" GIGLER 0,8	
98030000001004	HYDRAULIC GR-T3 BOILER TUBE SET "COPPER" GIGLER 0,5	ASS. TUBO COLL. GR.IDRAULICO -CALDAIA T3 "PER TUBI RAME"	
98030000001005	HYDRAULIC GR-T3 BOILER TUBE SET "COPPER" GIGLER 0,8	ASS. TUBO COLL. GR.IDRAULICO -CALDAIA T3 "PER TUBI RAME"	
98030000001006	HYDR. GR-T3 BOILER TUBE SET "EXTERNAL" GIGLER 0,8	ASS. TUBO COLL. GR.IDRAUL.- CALDAIA T3 "GIGLERESTER"	
98030000001007	HYDR. GR-T3 BOILER TUBE SET "EXTERNAL" GIGLER 0,5	ASS. TUBO COLL. GR.IDRAUL.- CALDAIA T3 "GIGLERESTER"	
98030000002046	FLOWMETER T3 EXTERNAL GIGLER 0,5 SET	ASSIEME DOSATORE (GICAR) T3 "GIGLER ESTERNO F.0,5"	
98030000002047	FLOWMETER T3 EXTERNAL GIGLER 0,8 SET	ASSIEME DOSATORE (GICAR) T3 "GIGLER ESTERNO F.0,8"	
98030165	TUBE 1/4 1/4 SEMI-AUTO MODIFY APPIA 1-2-3GR	TUBO 1/4 1/4 MODIFICA SEMIAUT APPIA 1-2-3 GR.	
98030812	LEVEL VALVE - TAP TUBE VA388 CURVED FLANGE BOILER	TUBO E.V. LIVELLO - RUBINETTO VA388 CALDAIA DOPPIA COPPA	
98030815	CONN.MANIFOLD-FLOWMETER VA388 2GR CURV FLANGE	CROCIERA COLLEGAMENTO DOSATORI VA388 2GR. CALDAIA	
98030816	CONN.MANIFOLD-FLOWMETER VA388 3GR CURV FLANGE	CROCIERA COLLEGAMENTO DOSATORI VA388 3GR. CALDAIA	
98030832	LEVEL/PUMP TUBE-MANIFOLD VA388 2GR CURV FLANGE	TUBO UNICO E.V. LIVELLO/POMPA - CROCIERA VA388 2GR	
98030833	LEVEL/PUMP TUBE-MANIFOLD VA388 3GR CURV FLANGE	TUBO UNICO E.V. LIVELLO/POMPA - CROCIERA VA388 3GR	
98030836	BOILER LOADING TUBE VA388 2-3GR CURVED FLANGE	TUBO CARICO CALDAIA VA388 2-3 GR. DOPPIA COPPA	
98110001	RETURN VALVE 1/8 F-FOT-58	VALVOLA RITEGNO COMPL. 1/8 F-F OT-58	
R98110001	KIT-RETURN VALVE 1/8 F-F - 3Pcs	KIT-VALVOLA RITEGNO COMPL. 1/8 F-F - 3Pz	
98120001	NEPLAX VITON 16,5 BAR VALVE 1/8 HOSE CLAMP	VALVOLA NEPLAX VITON 16,5 BAR 1/8 - PORTAGOMMA	
R98120001	KIT-NEPLAX VITON 16,5 BAR VALVE 1/8 HOSE CLAMP - 2P	KIT-VALVOLA NEPLAX VITON 16,5 BAR 1/8 - PORTAGOMMA	



COMPONENTI GRUPPO POMPA

PUMP GROUP PARTS



CODE	DESCRIPTION	DESCRIZIONE
01000029	STAINLESS STEEL HOSE 3/8 FF L=1500	TUBO FLESSIBILE INOX 3/8 FF L=1500
01000030	STAINLESS STEEL HOSE 3/8 FF L=500	TUBO FLESSIBILE INOX 3/8 FF L=500



INSPIRED BY YOUR PASSION.



COMPONENTI GRUPPO POMPA

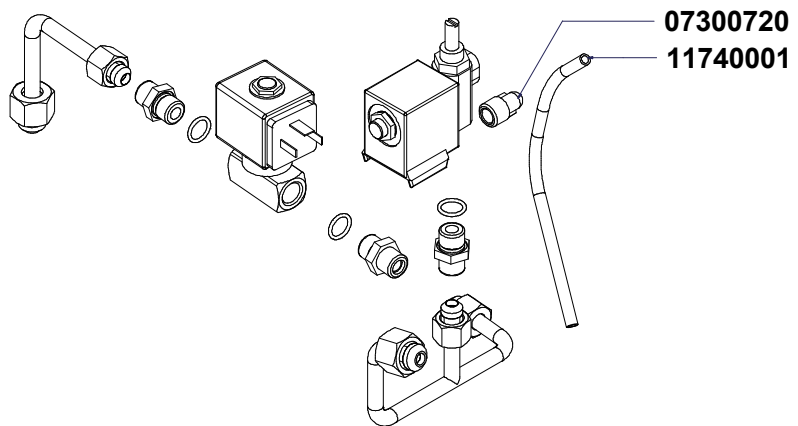
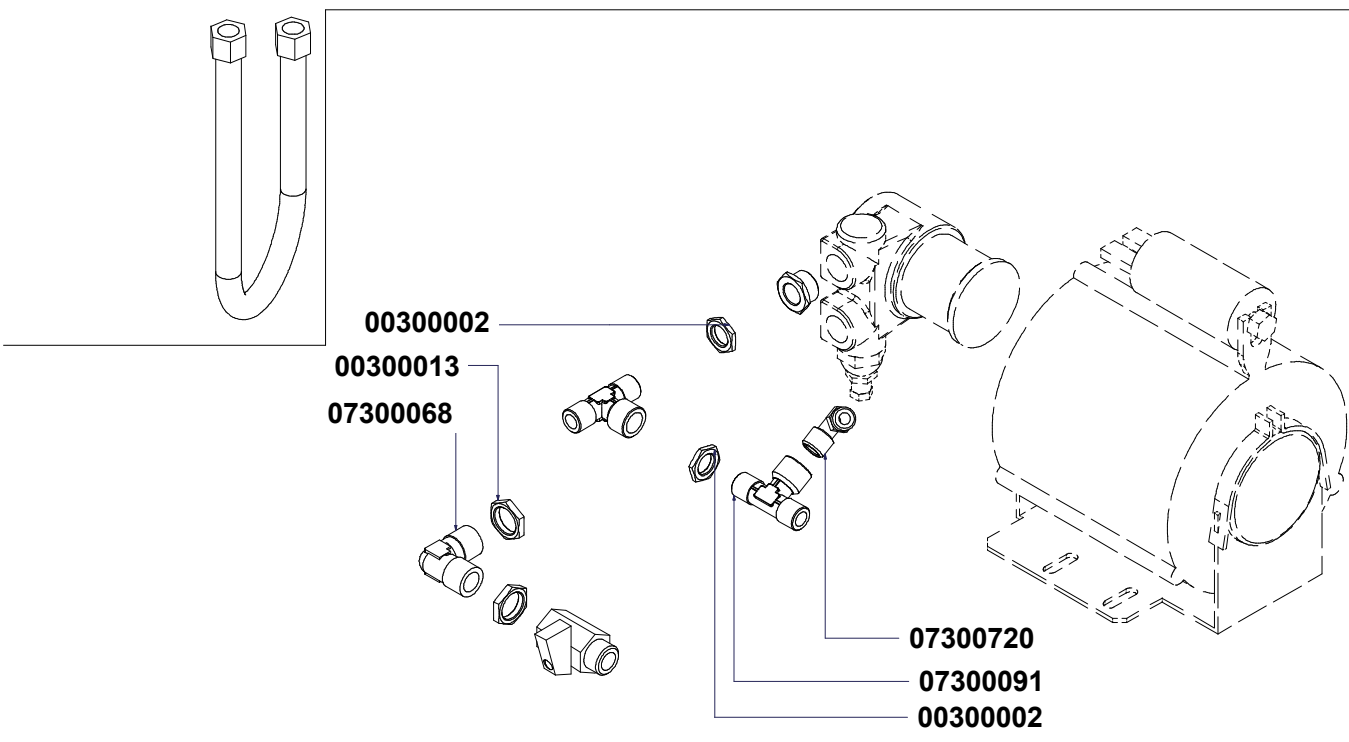
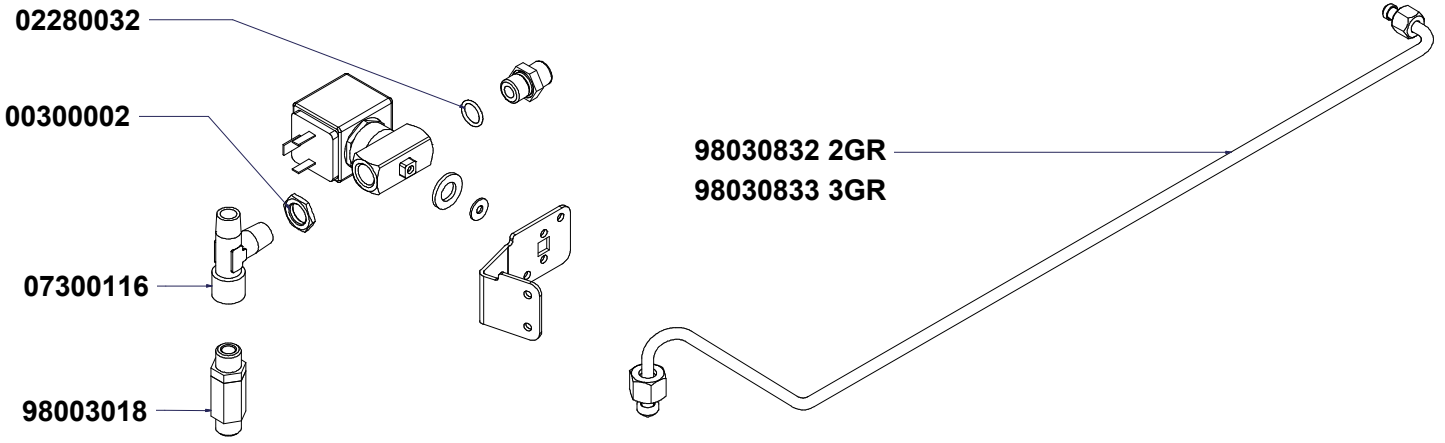
PUMP GROUP PARTS

COD.	DESCRIPTION	DESCRIZIONE	VAL.
00000011	S/S KNURLED WASHER M4 UNI8842/A	RONDELLA INOX M4 ZIGRINATA UNI8842/A	
00000124	GALV WASHER D4 3x16x1.5	RONDELLA AQ D4.3x16x1.5 ZINC.	
00000175	S/S CROSS HEAD CAP SCREW M4X10	VITE INOX M4x10 TC TCR	
00300002	BRASS NUT 1/4 D3 CH18	DADO OT 1/4 SPESS.3 CH18 AGG. 22.07.96	
R00300002	KIT-BRASS NUT 1/4 D3 - 15Pcs	KIT-DADO OT 1/4 SPESS.3 - 15Pz	
00300005	BRASS NUT 1/8 GAS D4 ADD 22.07.96 CH13	DADO OT 1/8 GAS AGG.22.07.96 SPESS.4 CH13	
00300013	BRASS NUT 3/8 GAS D4 CH20 ADD 22.07.96	DADO OT 3/8 GAS SPESS.4 CH20 AGG.22.07.96	
01000023	ANTI VACUUM VALVE	VALVOLINA SFIATO	
R01000023	KIT-ANTI VACUUM VALVE - 3Pcs	KIT-VALVOLINA SFIATO - 3Pz	
01000029	S/S FLEXIBLE TUBE 3/8 FF L=1500	TUBO FLESS INOX 3/8 F-F L=1500	
01000030	S/S FLEXIBLE TUBE 3/8 FF L=500	TUBO FLESS INOX 3/8 F-F L=500	
01000190	VIBRATION DAMPER D15x30 M4 FF	ANTIVIBRANTE CD15x30 M4 FF * KB *	
01300016	S/S VOLUMETRIC PUMP 200 Lt/h	POMPANTE VOLUMETRICO 200 lt/h ACCIAIO	
03000202	CONDENSATION TRAY MASTER	VASCHETTA RACCOGLI CONDENSA AGG. 07.06.97	
04000043	CAPACITOR 10mF x 04500034	CONDENS.10microF x 04500034 UL	
R04000043	KIT-CAPACITOR 10mF - 1Pcs	KIT-CONDENSATORE 10microF - 1Pz	
04500034	ELEC ENGINE 230V 50/60Hz 165W	MOTORE ELETTRICO 230V 50/60Hz 165W	
04500039	ELEC ENGINE 220/240V 50/60Hz 165W FOR CSA	MOTORE ELETTRICO 220/240V 50/60Hz 165W (x MACCHINE	
05000063	SAFETY VALVE COVER PA6	COPRI VALVOLA SICUREZZA PA6	
R05000063	KIT-SAFETY VALVE COVER PA6 - 8Pcs	KIT-COPRI VALVOLA SICUREZZA PA6 - 8Pz	
05000186	H3 D6,3/20 NYLON INSERT OSCAR GROUP BLACK	INSERTO NYLON GR. OSCAR h3 D.6,3/20 NERO	
07300015	FITTING 3/8 3/8 GAS OT-58 ADD. 26.06.96	RACCORDO 3/8 3/8 GAS OT-58 AGG. 26.06.96	
07300068.TEA	CYLINDRICAL ELBOW FITTING G3/8" MM	RACCORDO L 3/8 M-M CILIN. OT-57 + TEATURA	
07300099	FITTING ADAPTER 3/8-1/4 ES. 20 ADD. 29.05.96	RIDUZIONE 3/8-1/4 ES.20 AGG. 29.05.96	
07300121	FITTING L 1/4 M-M CYLIND ADD. 18.02.97	RACCORDO L 1/4 M-M CILINDRICOAGG. 18.02.97	
R07300121	KIT-FITTING L 1/4 M-M CYLIND - 8Pcs	KIT-RACCORDO L 1/4 M-M CILINDRICO - 8Pz	
07300236	T FITTING 3/8 M-F-F 466	RACCORDO A T 3/8 M-F-F	
R07300236	KIT-T FITTING 3/8 M-F-F - 3Pcs	KIT-RACCORDO A T 3/8 M-F-F - 3Pz	
07300249	FITTING 1/8M L = 12 3/8F	RACCORDO 1/8M L=12 3/8F OT-57	
07300396	PUMPING REGISTER KNOW VA388-VA358	POMELLO REGISTRO POMPANTE VA388 - VA358	
09000016	SPHERE TAP - NETWORK CONNECTION 3/8 M-F MINI	RUBINET. SFERA ALLACCIO RETE 3/8 M-F MINI	
R09000016	KIT-SPHERE TAP - NETWORK CONNECTION 3/8 M-F MINI	KIT-RUBINET. SFERA ALLACCIO RETE 3/8 M-F MINI- 2Pz	
09100011	GAUGE SCALE 0-16 BAR 1/8 D.60 VICTORIA ARDUINO	MANOMETRO SCALA 0-16 BAR 1/8 D.60 VICTORIA ARDUINO	
R09100011	KIT-GAUGE SCALE 0-16 BAR 1/8 D.60 VA - 1Pcs	KIT-MANOMETRO SCALA 0-16 BAR 1/8 D.60 VA - 1Pz	
40000005	BRASS WASHER 27x17x2 ROUGH	RONDELLA OT 27x17x2 GREZZA	
98013022	SAFETY VLVE C10 1,8 BAR 3/8" VITON 97/23/CE CAT.IV H1	VALVOLA SICUREZZA C10 1,8 BAR 3/8" VITON 97/23/CECAT	
R98013022	KIT-SAFETY VLVE C10 1,8 BAR 3/8" VITON 97/23/CE - 1Pcs	KIT-VALVOLA SICUREZZA C10 1,8 BAR 3/8" VITON- 1Pz	
98030075	CAPILLARY TUBE 1/8-1/4 0,9X2X400 GAUGE-PUMP	TUBO CAPILLARE 1/8-1/4 0,9x2x400 MANOM.-POMPA	
R98030075	KIT-CAPILLARY TUBE 1/8-1/4 0,9X2X400 GAUGE-PUMP - 2P	KIT-TUBO CAPILLARE 1/8-1/4 0,9x2x400 MANOM.-POMPA- 2P	
98030320	TUBE 8X10 T BOILER T SAFETY VALVE 3/8 3/8 ADONIS	TUBO 8x10 T CALDAIA T VALVOLA SICUREZZA 3/8 3/8ADONIS	
98030818	BOILER-DIGIT PRESS GAUGE TUBE VA388 CURVED FLAN	TUBO CALDAIA-PRESSOSTATO DIGIT VA388 CALDAIADOPP	
98170000000319	PUMP ASSEMBLY 200LT+FITTINGS	ASS. POMPANTE INOX 200lt + RACCORDI 2-3GR. VA388 -MA	



PARTI VECCHIO IMP. IDR. (AL 04-12-2014)

PARTS OLD HYDR. SYSTEM (TO 04-12-201



INSPIRED BY YOUR PASSION.

T.09-bis



PARTI VECCHIO IMP. IDR. (AL 04-12-2014)

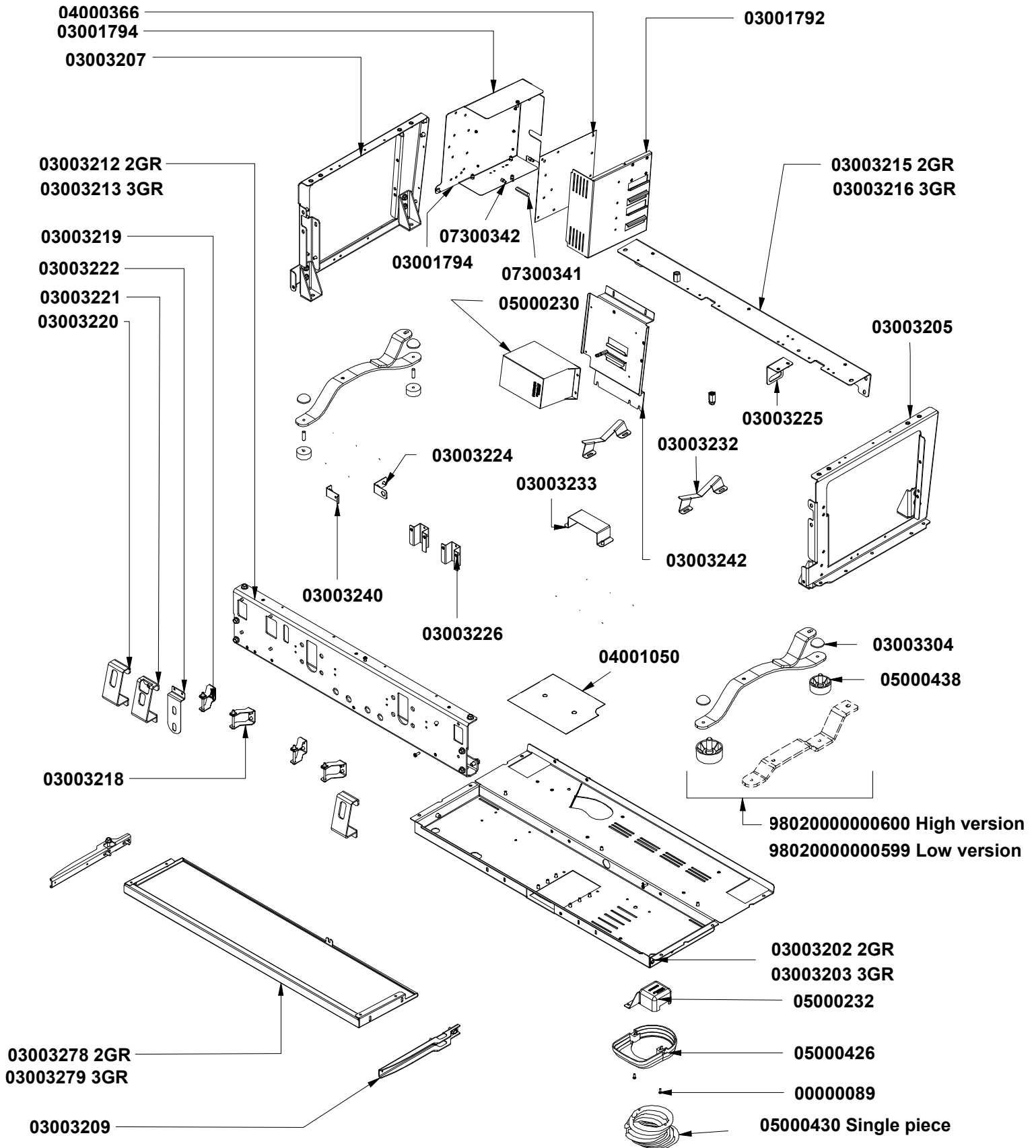
PARTS OLD HYDR. SYSTEM (TO 04-12-2014)

COD.	DESCRIPTION	DESCRIZIONE	VAL.
00300002	BRASS NUT 1/4 D3 CH18	DADO OT 1/4 SPESS.3 CH18 AGG. 22.07.96	
R00300002	KIT-BRASS NUT 1/4 D3 - 15Pcs	KIT-DADO OT 1/4 SPESS.3 - 15Pz	
00300013	BRASS NUT 3/8 GAS D4 CH20 ADD 22.07.96	DADO OT 3/8 GAS SPESS.4 CH20 AGG.22.07.96	
02280032	GASKET O RING 114 D15 EP 851	GUARN. OR 114 D.15 EP 851	
R02280032	KIT-GASKET O RING 114 D15 EP - 25Pcs	KIT-GUARN. OR 114 D.15 EP - 25Pz	
07300068	FITTING L 3/8 M-M CYLIN	RACCORDO L 3/8 M-M CILIN.	
07300091	T FITTING MFM 1/4 CYLIN.	RACCORDO T 1/4 M-F-M CILIN.	
07300116	FITTING T 1/4 M-M-F OT-57	RACCORDO T 1/4 M-M-F OT-57	
R07300116	KIT-FITTING T 1/4 M-M-F - 5Pcs	KIT-RACCORDO T 1/4 M-M-F - 5Pz	
07300720	L FITTING 1/4 M - FITTINGS	RACCORDO L 1/4 M - CALZAM.	
11740001	TEFLON PIPE 6/4	TUBO TEFLON 6/4	
98003018	RETURN VALVE 98 ES.16	VALVOLA RITEGNO 98 ES.16	
98030832	LEVEL/PUMP TUBE-MANIFOLD VA388 2GR CURV FLANGE	TUBO UNICO E.V. LIVELLO/POMPA - CROCIERA VA388 2GR	
98030833	LEVEL/PUMP TUBE-MANIFOLD VA388 3GR CURV FLANGE	TUBO UNICO E.V. LIVELLO/POMPA - CROCIERA VA388 3GR	



PARTI TELAIO

FRAME PARTS

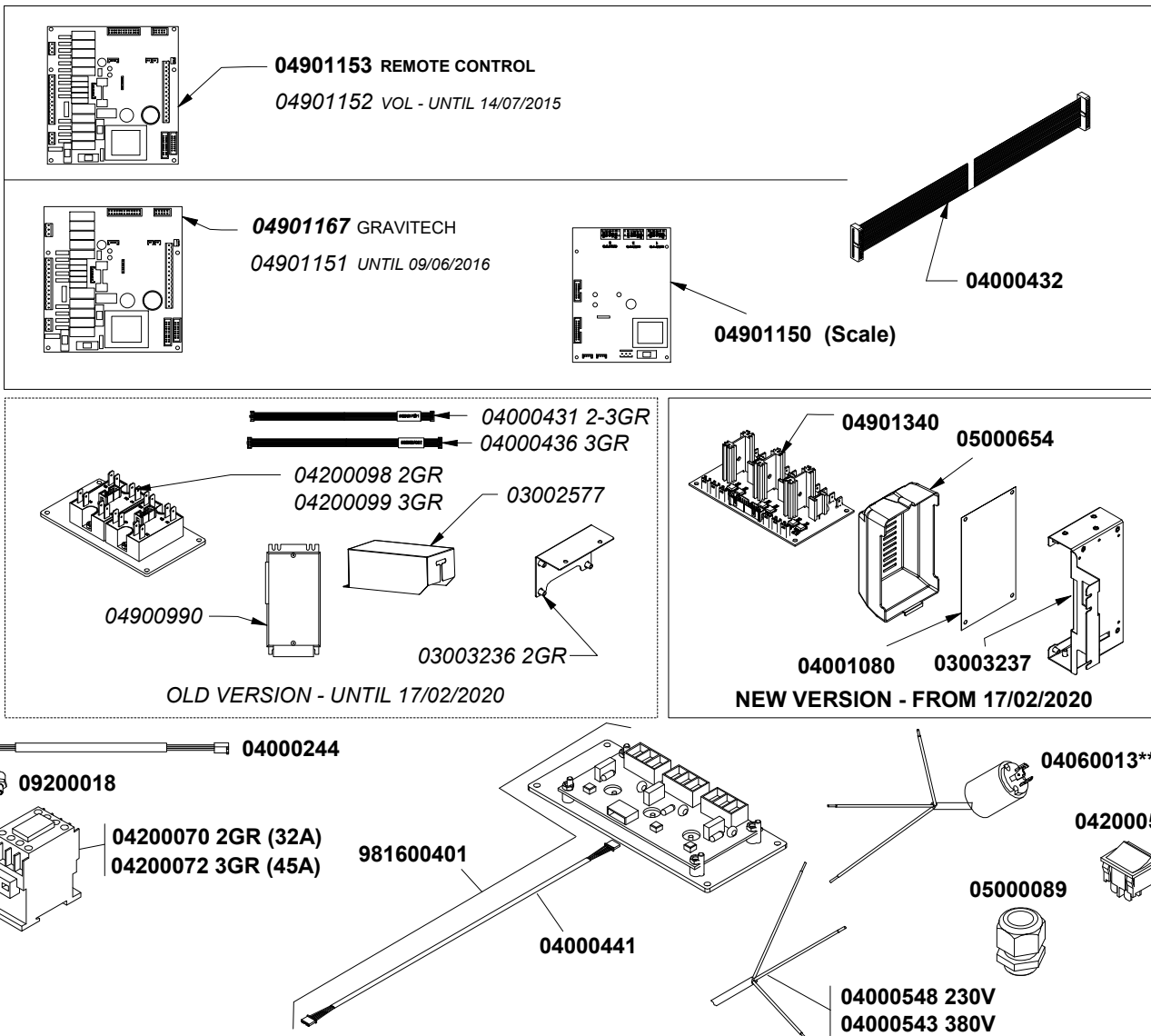




PARTI TELAIO

FRAME PARTS

COD.	DESCRIPTION	DESCRIZIONE	VAL.
00000089	S/S CROSSHEAD CAP SCREW M4x12 DIN7985	VITE INOX M4x12 TC TCR DIN7985	
03001792	CONTROL BOARD COVER AURELIA	CHIUSURA CENTRALINA AURELIA	
03001794	CONTROL BOARD CASE AURELIA	CONTENITORE CENTRALINA AURELIA	
03003202	BASE 2GR VA388	BASAM. PORTANTE 2GR. VA388-MAVERICK	
03003203	BASE 3GR VA388	BASAM. PORTANTE 3GR. VA388-MAVERICK	
03003205	RIGHT SIDE FRAME VA388	FIANCO TELAIO DX VA388/MAVERICK	
03003207	LEFT SIDE FRAME VA388	FIANCO TELAIO SX VA388/MAVERICK	
03003209	DRAIN TRAY SUPPORT VA388	LAMIERA GUIDA PIATTO VA388	
03003212	GROUP SUPPORT SHEET 2GR VA388	PARETE PORTAGRUPPI 2GR. VA388	
03003213	GROUP SUPPORT 3GR VA388	PARETE PORTAGRUPPI 3GR. VA388	
03003215	UPPER BACK SIDE PLATE 2GR VA388	LAMIERA SUPER. POSTERIORE 2GR. VA388	
03003216	UPPER BACK SIDE PLATE 3GR VA388	LAMIERA SUPER. POSTERIORE 3GR. VA388	
03003218	RIGHT SUPPORT COVER GROUP VA388	LAMIERA DX SUPP. COPRIGRUPPO VA	
03003219	LEFT SUPPORT COVER GROUP VA388	LAMIERA SX SUPP. COPRIGRUPPO VA	
03003220	HOT WATER STEAM TAP SUPPORT VA388	LAMIERA SUPP. RUBINETTO VAPORE VA388	
03003221	HOT WATER WAND SUPPORT VA388	LAMIERA SUPP. ATTACCO LANCIA ACQUA CALDA VA388	
03003222	MANOMETER SUPPORT SHEET	LAMIERA SUPP. MANOMETRO VA388	
03003224	DIGIT PRESSOSTAT SUPPORT SHEET VA388	LAMIERA SUPP. PRESSOSTATO DIGIT VA388	
03003225	SAFETY PRESSOSTAT SUPPORT VA388	LAMIERA SUPP. PRESSOSTATO MECCANICO VA388	
03003226	COFFEE BOILER SUPPORT VA388	LAMIERA SUPP. CALDAIETTE VA388	
03003232	BOILER SUPPORT SHEET	LAMIERA SUPP. CALDAIA VA388	
03003233	PROTECTION SHEET CHARGE PIPE	LAMIERA PROTEZIONE TUBO CARICO VA388	
03003240	FIXING BOARD BOX SHEET	LAMIERA FISS. SCATOLA CENTRAL. VA388	
03003242	PLATE SUPPORT RELAY	LAMIERA SUPP. TELERUTTORE VA388	
03003278	LOWER DRAIN TRAY PLATE 2 GR VA388	LAMIERA SOTTOPIATTO 2GR. VA388	
03003279	LOWER DRAIN TRAY PLATE 3 GR VA388	LAMIERA SOTTOPIATTO 3GR. VA388	
03003304	FEET COVER VA388	BORCHIA PIEDE MACCHINA VA388	
04000366	PVC MAIN BOARD PROTECTION AURELIA	PROTEZIONE CENTRALINA AURELIA	
04001050	PVC PROTECTION TERMINAL BLOCK VA388	PROTEZIONE PVC MORSETTIERA VA388	
05000230	SWITCH COVER	COPRI TELERUTTORE	
05000232	SQUARE SWITCH COVER	COPRI INTERRUTTORE QUADRATO	
05000426	VERTEBRA RING SUPER. FEEDER VA388	ANELLO VERTEBRA SUPER. CARICO/SCARICO VA388	
05000430	VERTEBRA RING FEEDER VA388	ANELLO VERTEBRA CARICO/SCARICO VA388	
05000438	BICOMPONENT MACHINE FOOT D50 H24 M10MALE INSER	PIEDE MACCHINA BICOMPONENTE D.50 H=24 INSERTO M10	
07300341	CENTRAL LOCK VIP S/S NICKEL PLATE L=35 ADD.29.01.98	PERNO BLOCC. CENTRAL. VIP INOXNICHELATO L=35AGG.2	
07300342	NICKEL PLATED CONTROL UNIT SUPPORT PIN	PERNO SUPPORTO CENTRAL. VIP NICHELATO	
98020000000599	FEET SET VA388 (1pc) STARBUCKS ROASTERY	ASSIEME PIEDE VA388 "SBX" (q.tà 1pz.)	
98020000000600	RAISED FEET SET VA388 (1pc)	ASSIEME PIEDE ALTO VA388 (q.tà 1pz.)	



CODE	DESCRIPTION	DESCRIZIONE
04000340	BRIDGE TRANS. POWER FROM 230V TO 380V	PONT. TRASF. ALIMENT. DA 230V A 380V
04000343.S	ELECTRICAL WIRING SUPPLEMENT	SUPPLEMENTO CABLAGGIO ELETTRICO
04000381	CSA PRESSURE SWITCH WIRING RELAY	CABLAGGIO CSA PRESSOSTATO RELE'
04000386	CUP WARMER WIRING 2GR.	CABLAGGIO SCALDATAZZE 2GR.
04000387	CUP WARMER WIRING 3GR.	CABLAGGIO SCALDATAZZE 3GR.
04000404	SUPPL. FLOWMETER WIRING 2GR.	SUPPLEMENTO CABLAGGIO DOSATORI 2GR.
04000405	SUPPL. FLOWMETER WIRING 3GR.	SUPPLEMENTO CABLAGGIO DOSATORI 3GR.
04000462	ELECTRICAL WIRING 2GR.	CABLAGGIO ELETTRICO 2GR.
04000463	ELECTRICAL WIRING 3GR.	CABLAGGIO ELETTRICO 3GR.
04001038	FLAT CABLE CONNECTION UNIT	CAVO PIATTO COLLEGAMENTO CENTRALINE
04001040	POWER CABLE SCALE BOARD	CAVO ALIMENTAZIONE SCHEDA BILANCIA

**North America market
Mercato Nord America



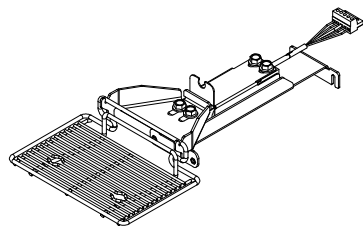
PARTI ELETTRICHE ED ELETTRONICHE
ELECTRIC AND ELECTRONIC PARTS

COD.	DESCRIPTION	DESCRIZIONE	VAL.
03002577	PLATE COVER GR COFFEE BOILER RELAY AURELIA II T3	LAMIERA COPERTURA RELE' GR. CALDAIE CAFFE' AURELIA	
03003236	RELAY SUPPORT 2GR VA388 WITH SCALE	LAMIERA SUPP. RELE' PER 2GR. VA388 CON BILANCE	
03003237	SUPPORT SHEET BOILER BOARD	LAMIERA SUPP. CENTRAL. UNICA CALDAIE VA388	
04000244	3POLE CONN CABLE RAST 2.5/MOLEX L = 800mm for PSTY	CAVO COLL.3P RAST 2,5/MOLEX L.800mm x TRASDUTTORI	
04000340	BRIDGE TRANSFORMATION 380V TO 220V AURELIA-APPIA	PONTICELLO TRASF. ALIMENTAZ. DA 380V A 230VAURELIA	
04000343.S	ADDL ELECTRIC WIRING AURELIA08-AURELIAII S 2-3-4GR	SUPPLEMENTO CABLAG.ELETTRICO AURELIA08-AURELIA	
04000381	AURELIA 09 CSA CABLING	CABLAGGIO AURELIA 09 CSA PRESSOSTATO-RELE'	
04000386	CUP WARMER CABLING 1 TEMP 2GR AURELIA II DIGIT-T3	CABLAGGIO SCALDATAZZE 1 TEMP. 2GR. AURELIA IIDIGIT-	
04000387	CUPWARM WIRING 1 TEMP 3GR AURELIA II DIGIT-T3	CABLAGGIO SCALDATAZZE 1 TEMP 3GR. AURELIA IIDIGIT-T	
04000404	FLOWMETER ADDITIONAL WIRING 2GR	SUPPL. CABLAGGIO DOSATORI AURELIA II 2GR	
04000405	FLOWMETER ADDITIONAL WIRING 3-4GR	SUPPL. CABLAGGIO DOSATORI AURELIA II 3-4GR	
04000431	FLAT CABLE 10WAY CNTRL BOARD-BOILERS RELAY 2-3GR	CAVO 10 VIE COLL.RELE' CALDAIE- CENTRALINA 2-3GR	
04000432	FLAT CABLE 26WAY CNTRL BOARD - PID BOARD TFT	CAVO 26 VIE COLL. CENTR-CENTR CALDAIE "DISPLAY ACCO	
R04000432	KIT-FLAT CABLE 26WAY CNTRL BOARD - PID BOARD TFT	KIT-CAVO 26 VIE COLL. CENTR-CENTR CALDAIE "DISPLAY-	
04000436	FLAT CABLE 10WAY CONTROL BOARD-BOILERS SOLID RI	CAVO 10 VIE COLL.RELE' CALDAIE- CENTRALINA 3GR	
04000441	CABLE CONNECT. TRIAC BOILER L=1900	CAVO COLLEG. TRIAC CALDAIA L=1900	
04000462	UNIFIED WIRING 2GR T3 MACHINES	CABLAGGIO UNIFICATO MACCHINE T3 2GR.	
04000463	UNIFIED WIRING 3GR T3 MACHINES	CABLAGGIO UNIFICATO MACCHINE T3 3GR.	
04000543	ELEC. CABLE 5x2,5 H07RN-F CB450/750V 2,5mt ICEL	CAVO ELETTR. 5x2,5 H07RN-F CB450/750V 2,5mt ICEL	
04000548	ELECTRICAL CABLE 3x6 H07RN-F CB L=2,5mt ICEL	CAVO ELETTR. 3x6 H07RN-F CB L=2,5mt -> ICEL <-	
04001038	20WAY CABLE CNTRL BOARD-SCALE BOARD VA388	CAVO 20 VIE CENTRALINA-CENTR. BILANCE VA388	
04001040	POWER SUPPLY CABLE SCALE CONTROL BOARD VA388	CAVO ALIMENTAZIONE CENTRALINA BILANCE VA388	
04001080	MACHINE CONTROL UNIT PROTECTION T3	PROTEZIONE CENTR. CONTROLLO MACCHINE T3	
04060013	CABLE+PLUG AWG3x10 SJOOW UL/CSA 50A 250V NEMA6	CAVO ALIM. AWG3x10 SJOOW 90°C UL/CSA 2mt SPINA USA	
04200057	DBL POWER BIPOLAR BIG SWITCH 10A UL 22X19 AURELIA	INTERRUT. ACCENSIONE BIPOL. GRANDE 10A UL 22x19AUF	
R04200057	KIT-DBL POWER BIPOLAR BIG SWITCH 10A UL 22X19 - 15P	KIT-INTERRUT. ACCENSIONE BIPOL. GRANDE 10A UL 22x1-	
04200070	4POLE CONTACTOR 32 A CE/UL COIL 230V	CONTATTORE QUADRIPOLORE 32A CE/UL BOBINA 230V	
04200072	4POLE CONTACTOR 45A CE/UL COIL 230V	CONTATTORE QUADRIPOLORE 45A CE/UL BOBINA 230V	
04200098	STATIC RELAY 25A 280V 1RELAY BOILERS ASSEM T3 2GR	RELE' STATICO 25A 280V 1relè ASSEMBLATI CALDAIETTE T	
04200099	STATIC RELAY 25A 280V 1RELAY BOILERS ASSEM T3 3GR	RELE' STATICO 25A 280V 2relè ASSEMBLATI CALDAIETTE T	
04900990	PROBES CONTROL BOARD AURELIA II T3 TFT	CENTR. GESTIONE SONDE AURELIA II T3 "DISPLAY ACOLO	
04901150	SCALE CONTROL BOARD VA388 SEM+MANUAL	CENTRALINA BILANCE VA388 SEM + MANUAL	
04901151	CONTROL BOARD VA388 T3 SEM GRAV AVRVASCALE220V	CENTRALINA VA388 T3 SEM GRAV. AVRVASCALE220V *SO	
04901152	CONTROL BOARD VA388 T3 VOL AVRVA3220V	CENTRALINA VA388 T3 VOL AVRVA3220V * SOLO xRICAME	
04901153	CNTRL BOARD VA388 T3 VOL AVRVA3220V REMOTE CN	CENTRALINA VA388 T3 VOL AVRVA3220V REMOTE CONTF	
04901167	CENTRAL BOARD VA388 T3 SEM GRAV AVRVASCALE220V	CENTRALINA VA388 T3 SEM GRAV. AVRVASCALE220VREM	
04901340	CENTRAL BOARD T3 MACHINE CONTROL	CENTR. CONTROLLO MACCHINE T3	
05000089	CABLE DUCT TEC-S M25 WITH NUT	PRESSACAVO TEC-S M25 CON DADO	
05000654	BOILER CONTROL UNIT CLOSING	CHIUSURA CENTRALINA CALDAIE EAGLE ONE	
09200018	PRESSURE TRANSDUCER R1 (W/O WIRE 04000244) 5V DC	TRASDUTTORE DI PRESSIONE R1 (SENZA CAVETTO040002	
R09200018	KIT-PRESSURE TRANSDUCER R1 (W/O WIRE 04000244) -	KIT-TRASDUTTORE DI PRESSIONE (SENZA CAVETTO)- 1Pz	
981600401	BT TRIAC BOARD KIT	ASSIEME SCHEDA BT TRIAC	



COMPONENTI BILANCIA

AUTOMATIC SCALE PARTS



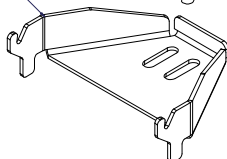
03003254



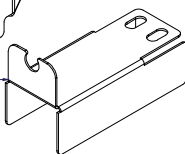
00000122



00000122



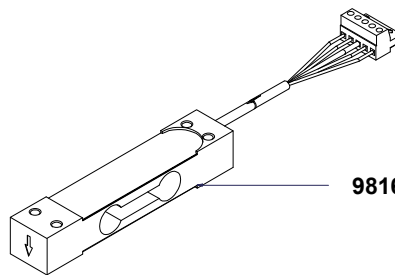
03003252



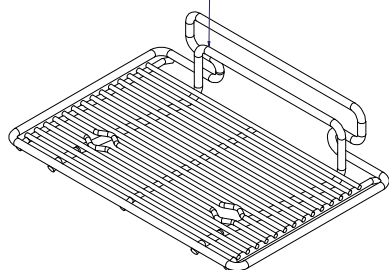
03003251



03003328



9816000000820



03003250

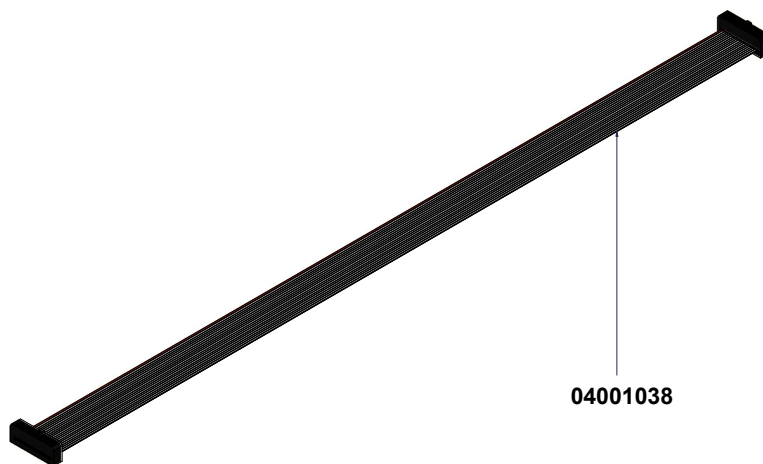
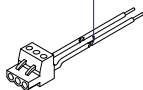


00000122

00300016



04001040



04001038



INSPIRED BY YOUR PASSION.



COMPONENTI BILANCIA

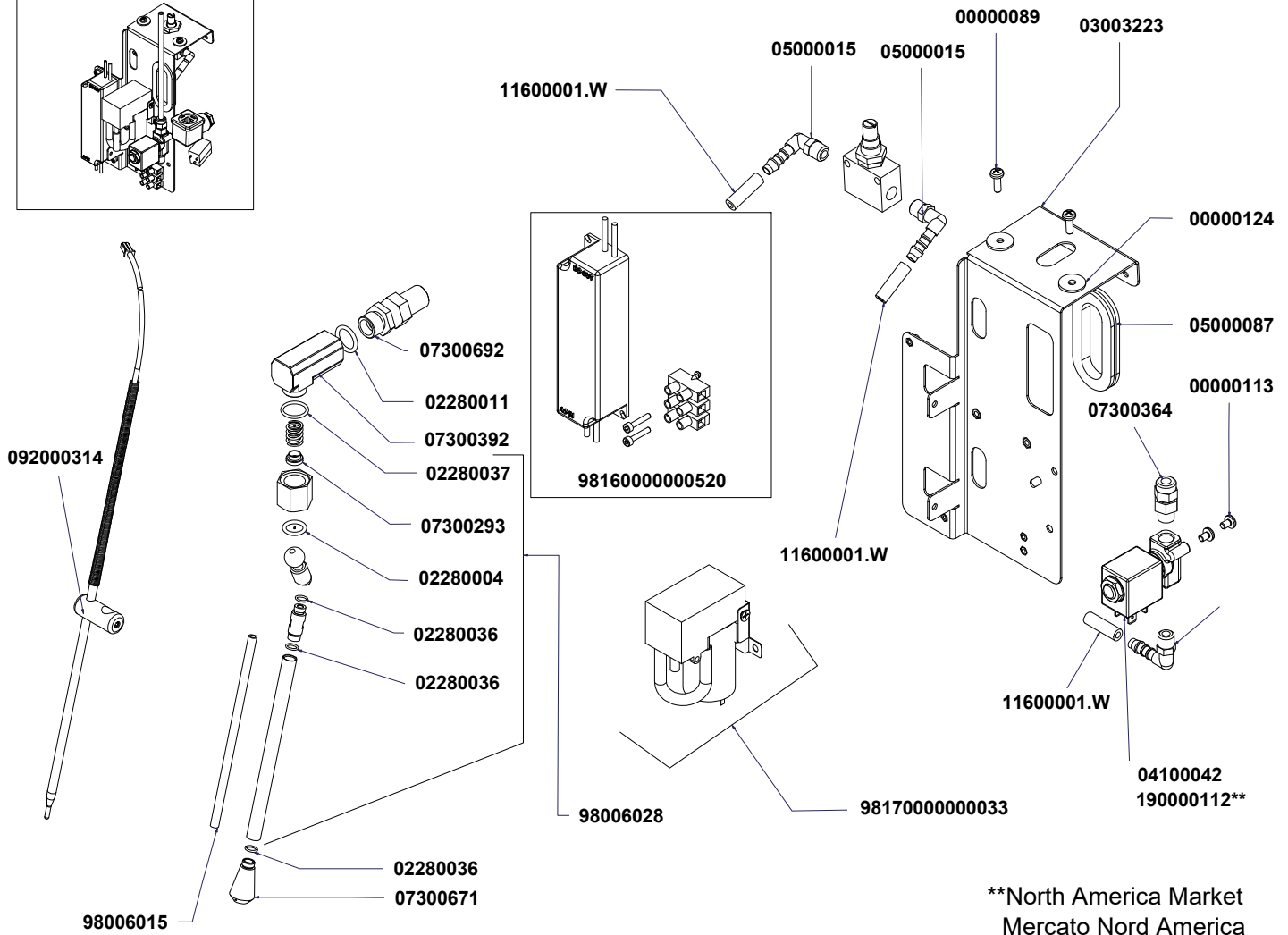
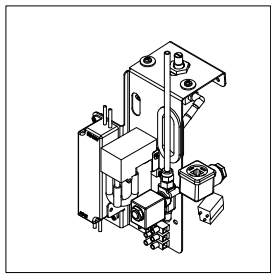
AUTOMATIC SCALE PARTS

COD.	DESCRIPTION	DESCRIZIONE	VAL.
00000122	WHITE GALV FLANGED KNURLED HEX CAP SCREW 8.8 M	VITE AQ 8.8 M6x12 TE FLANG. ZIGR. ZINC. BIANCO	
00300016	S/S GRUB SCREW M6X8 UNI 5923	GRANO INOX M6x8 5923	
03003250	SCALE SUPPORT VA388	LAMIERA SUPPORTO BILANCIA VA388	
03003251	SCALE EXTENT SUPPORT VA388	LAMIERA SPESSORE SUPPORTO BILANCIA VA388	
03003252	SCALE PROTECTION SUPPORT VA388	LAMIERA PROTEZIONE BILANCIA VA388	
03003254	SCALE GRILL SUPPORT VA388	LAMIERA SUPPORTO RETINA BILANCIA VA388	
03003328	SCALE GRILL VA388	RETINA BILANCIA VA388	
R03003328	KIT-SCALE GRILL VA388-1Pcs	KIT -RETINA BILANCIA VA388-1PZ	
04001038	20WAY CABLE CNTRL BOARD-SCALE BOARD VA388	CAVO 20 VIE CENTRALINA-CENTR. BILANCE VA388	
04001040	POWER SUPPLY CABLE SCALE CONTROL BOARD VA388	CAVO ALIMENTAZIONE CENTRALINA BILANCE VA388	
98160000000820	LOAD CELL SET W/ CONNECTOR VA388	ASSIEME CELLA DI CARICO VA388 + CONNETTORE	
R98160000000820	KIT-LOAD CELL SET W/ CONNECTOR - 1Pcs	KIT-ASSIEME CELLA DI CARICO + CONNETTORE - 1Pz	

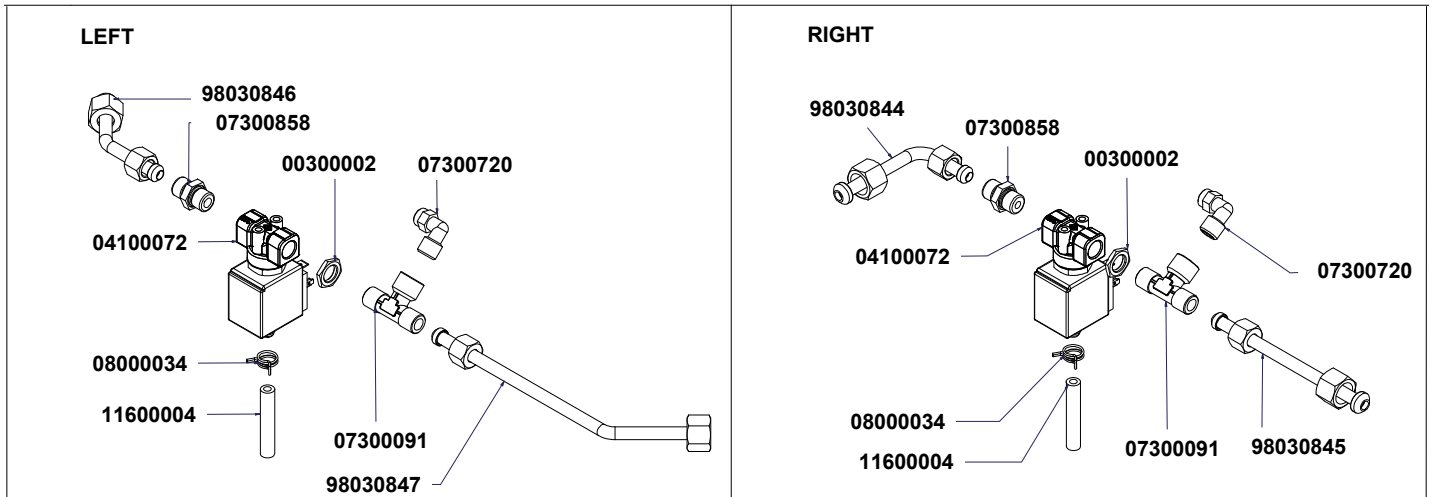


COMPONENTI EASY CREAM

EASY CREAM PARTS



**North America Market
Mercato Nord America



CODE	DESCRIPTION	DESCRIZIONE
04000445	EASY CREAM ELECTRICAL WIRING SUPPLEMENT	SUPPLEMENTO CABLAGGIO EASY CREAM



COMPONENTI EASY CREAM

EASY CREAM PARTS

COD.	DESCRIPTION	DESCRIZIONE	VAL.
00000089	S/S CROSSHEAD CAP SCREW M4x12 DIN7985	VITE INOX M4x12 TC TCR DIN7985	
00000113	S/S CROS SHEAD CAP SCREW M4x6 7985	VITE INOX M4x6 TC TCR 7985	
00000124	GALV WASHER D4 3x16x1.5	RONDELLA AQ D4.3x16x1.5 ZINC.	
00300002	BRASS NUT 1/4 D3 CH18	DADO OT 1/4 SPESS.3 CH18 AGG. 22.07.96	
R00300002	KIT-BRASS NUT 1/4 D3 - 15Pcs	KIT-DADO OT 1/4 SPESS.3 - 15Pz	
02280004	GASKET O RING 115 D17 EP 856 x SWIVEL STEAM PIPE	GUARN. OR 115 D.17 EP856 SNODO LANCIA	
R02280004	KIT-GASKET O RING 115 D17 EP 856 x STEAM PIPE - 55Pcs	KIT-GUARN. OR 115 D.17 EP856 SNODO LANCIA - 55Pz	
02280011	GASKET O RING R11 D19 EP 851	GUARN. OR R11 D19 EP 851	
R02280011	KIT-GASKET O RING R11 D19 EP - 25Pcs	KIT-GUARN. OR R11 D19 EP - 25Pz	
02280036	O RING FOR STEAM WAND NOZZLE D6x1.2 EPDM70 500 P	GUARN. OR x BECCO LANCIA VAP. DI 6x1.2 EPDM70(CONF.	
R02280036	KIT-O RING FOR STEAM WAND NOZZLE D6x1.2 EPDM - 65Pcs	KIT-GUARN. OR x BECCO LANCIA VAP. D. 6x1.2 EPDM- 65Pz	
02280037	GASKET O RING JOINT LOCK 16x2 NBR70	GUARN. OR CHIUSURA SNODO 16x2 NBR70	
R02280037	KIT-GASKET O RING JOINT LOCK 16x2 NBR - 45Pcs	KIT-GUARN. OR CHIUSURA SNODO 16x2 NBR - 45Pz	
03003223	COMPRESSOR SUPPORT PLATE VA358	LAMIERA SUPPORTO COMPRESSORE VA388	
04000445	LEFT WIRING EXT EASYCREAM FOR AURELIA II DIGIT-T3	SUPPL. CABLAGGIO EASYCREAM SX MACCHINE DIGIT-T3	
04100042	2WAY SOLENOID 1/8-1/8 220-230V50/60Hz F2 CE TH1xM4	E.V. NC 2VIE 1/8-1/8 220-230V 50/60Hz VITON F2 CEPIEDINO	
R04100042	KIT-2WAY SOLENOID 1/8-1/8 220-230V50/60Hz F2 CE - 1Pcs	KIT-E.V. NC 2VIE 1/8-1/8 220-230V 50/60Hz VITON F2- 1Pz	
04100072	3WY SOLENOID 1/4-1/4 DISCHARGE 1/8 208/240V 50/60Hz I	E.V. NC 3VIE 1/4-1/4 SCAR.1/8 208/240V 50/60Hz F5INOX	
05000015	TUBE FASTENING WES 6R 1/8	RACCORDO PORTATUBO WES 6R 1/8	
05000087	CABLE DUCT PVC OVALE NERO OV7	PASSACAVO PVC OVALE NERO OV7	
07300091	T FITTING MFM 1/4 CYLIN.	RACCORDO T 1/4 M-F-M CILIN.	
07300293	ARTICULATED BUSHING AG.25.06.96 OT-57	BUSSOLA SNODO AG.25.06.96 OT-57	
R07300293	KIT-ARTICULATED BUSHING - 15Pcs	KIT-BUSSOLA SNODO - 15Pz	
07300364	STRAIGHT FITTING 1/8 M CON. - FITTING.6 340	RACCORDO DIR. 1/8 M CON. - CALZAM.6 340	
R07300364	KIT-STRAIGHT FITTING 1/8 M CON. - FITTING.6 340 - 8Pcs	KIT-RACCORDO DIR. 1/8 M CON. - CALZAM.6 - 8Pz	
07300392	HOT WATER TAP CONNECTION VA388 OT-57	ATTACCO RUB. ACQUA CALDA VA388 OT-57	
07300671	EASYCREAM NOZZLE 4HOLES TALENTO - AURELIA II	BECCO EASYCREAM 4 FORI TALENTO / AURELIA II	
07300692	SPRING HOLDER PLUG STEAM WAND ADONIS OT-57	TAPPO PORTAMOLLA RUB.VAP. ADONIS OT-57	
R07300692	KIT-SPRING HOLDER PLUG STEAM WAND - 4Pcs	KIT-TAPPO PORTAMOLLA RUB.VAP. - 4Pz	
07300720	L FITTING 1/4 M - FITTINGS	RACCORDO L 1/4 M - CALZAM.	
07300858	FITTING 1/4M-1/4M OT-57 USA	RACCORDO 1/4M-1/4M OT-57 USA	
R07300858	KIT-FITTING 1/4M-1/4M - 15Pcs	KIT-RACCORDO 1/4M-1/4M - 15Pz	
08000034	HOSE CLAMP D12	FASCETTA STRINGITUBO D12	
092000314	PROBE PT1000 STRAIGHT STEAMWAND +REINFORCED S	SONDA PT1000 x LANCIA VAP. DRITTA+SUPP. RINFORZATA	
11600001.W	WHITE SILICONE PIPE 4x7,5 60Sh(1mt=41gr) PLATINICO SE	TUBO SILICONE BIANCO4x7,5 60Sh(1mt=41gr) PLATINICO SE	
11600004	SILICONE PIPE 5x9 60Sh PEROX WHITE SEMITRASPAREN	TUBO SILICONE 5x9 70Sh PEROX TRASPARENTE(1mt=50gr)	
190000112	2 WAYS SOLENOID 1/8-1/8 208-240V 60Hz FKM F2 UL NSF	E.V. NC 2VIE 1/8-1/8 208-240V 60Hz FKM F2 UL NSF 121WH1	
98006028	SLOPING EASYCREAM STEAMWAND W/ SHORT NUT	LANCIA VAPORE "EASYCREAM" INCLINATA DADO BASSO	
98030844	BOILER- RIGHT SOL. VALVE EASYCREAM PIPE	TUBO CALDAIA-E.V. EASY CREAM DX VA388 2-3 GR.DOPPIA	
98030845	EASYCREAM SOL. VALVE-RIGHT WAND	TUBO E.V. EASY CREAM - LANCIA DX VA388 DOPPIACOPPA	
98030846	BOILER-LEFT EASYCREAM VLVE TUBE VA388 CURVEDFL	TUBO CALDAIA-E.V. EASY CREAM SX VA388 DOPPIA COPP	
98030847	EASYCREAM VALVE-LEFT WAND TUBE VA388 CURVED FL	TUBO E.V. EASY CREAM - LANCIA SX VA388 DOPPIACOPPA	
98160000000520	TRANSFOR+WIRING SET AURELIA II- ADONIS W/EASYCRE	ASS. TRAF+CABLAGGIO AURELIA II- ADONIS CON EASYCR	
981700000000033	MICROCOMPRESSOR + SUPPORT SET TALENTO	ASS. SUPPORTO + MICROCOMPRESSORE ARIA	



INSPIRED BY YOUR PASSION.

Simonelli Group s.p.a.
Via E. Betti, 1 - 62020 Belforte
del Chienti - (MC) Italy
Tel. +39 0733.950243 - Fax +39
0733.850247
e-mail: info@victoriaarduino.com
com www.victoriaarduino.com