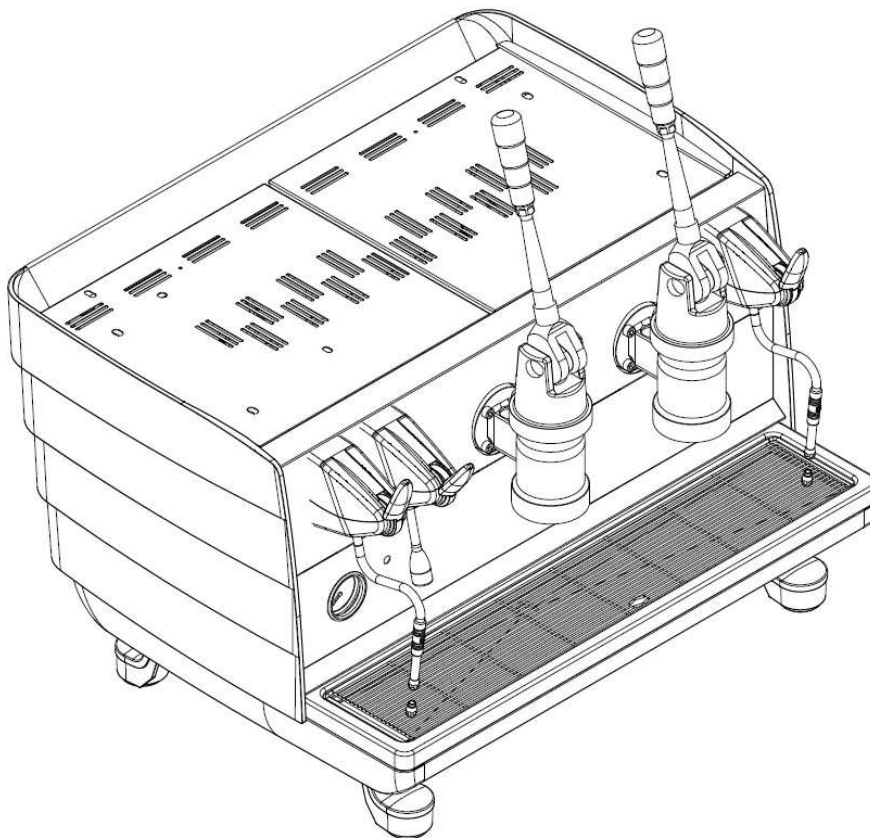


SPARE PARTS BOOK



LEVA VERSION

30/04/2024

Victoria Arduino

INSPIRED BY YOUR PASSION.



INSPIRED BY YOUR PASSION.

- T.01 **CABINET PARTS**
COMPONENTI GRUPPO CARENA
- T.02 **POURING GROUP PARTS**
COMPONENTI GRUPPO EROGAZIONE
- T.03 **HYDRAULIC PARTS**
COMPONENTI IDRAULICI
- T.04 **STEAM & HOT WATER PARTS**
COMP. VAPORE E ACQUA CALDA
- T.05 **BOILER PARTS**
PARTI CALDAIA
- T.06 **ELECTR. AND ELECTRICAL PARTS**
COMP. ELETTRICI ED ELETTRONICI
- T.07 **FRAME PARTS**
COMPONENTI TELAIO

» LEGEND :

THE CODES WRITTEN IN BOLD REFER TO THE COMPONENTS
EMPLOYED CURRENTLY.

THE CODES USED BEFORE ARE WRITTEN IN CORSIVE WITH INDICATED,
ON THE SIDE, THE END OF VALIDITY DATE.

EXAMPLE:

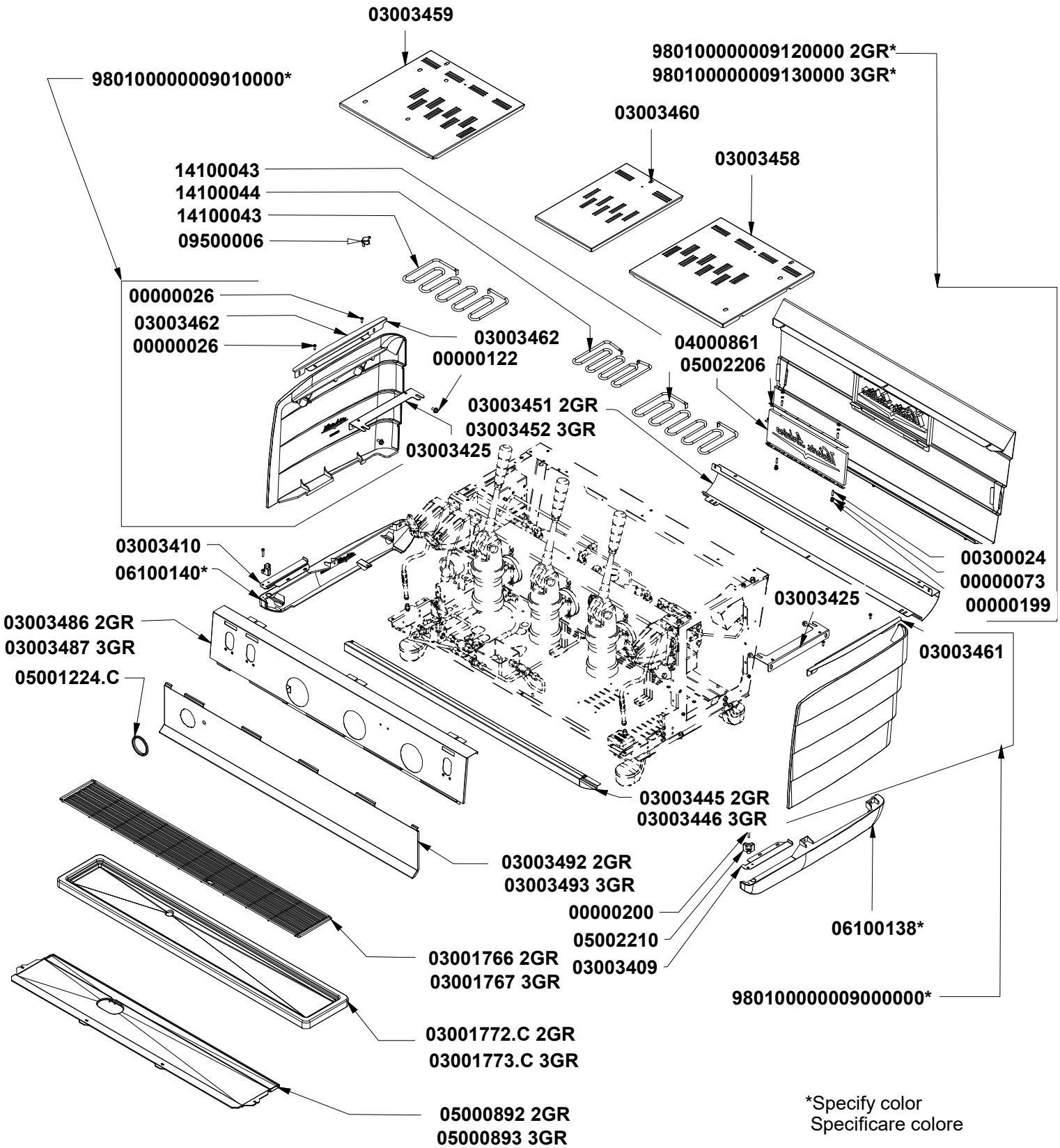
03001531 - 01/09/2007

03001531



VERSIONE LEVA
LEVA VERSION

COMPONENTI GRUPPO CARENA
CABINET PARTS



INSPIRED BY YOUR PASSION.

T.01



VERSIONE LEVA

LEVA VERSION

COMPONENTI GRUPPO CARENA

CABINET PARTS

COD.	DESCRIPTION	DESCRIZIONE	VAL.
00000026	GALV CROSS HEAD CAP SCREW AQ M4x12	VITE AQ M4x12 TC T.CR. ZINC	
00000073	S/S WASHER D.8x4x1 UNI6592	RONDELLA INOX 8x4x1 UNI6592	
00000122	WHITE GALV FLANGED KNURLED HEX CAP SCREW 8.8 M	VITE AQ 8.8 M6x12 TE FLANG. ZIGR. ZINC. BIANCO	
00000199	S/S NUT M4 MEDIUM UNI 5588	DADO INOX M4 MEDIO UNI 5588	
00000200	S/S SCREW M4x20 UNI 5931	VITE INOX M4x20 TCEI UNI 5931	
00300024	S/S GRUB SCREW M4X16 5923	GRANO INOX M4x16 5923	
03001766	WORKTOP NET 2 GR	RETINA PIANO LAVORO 2 GR.	
R03001766	KIT-WORKTOP NET 2 GR - 1Pcs	KIT-RETINA PIANO LAVORO 2 GR. - 1Pz	
03001767	WORKTOP NET 3 GR	RETINA PIANO LAVORO 3 GR.	
R03001767	KIT-WORKTOP NET 3 GR-1Pcs	KIT -RETINA PIANO LAVORO 3 GR.-1PZ	
03001772.C	DRAIN TRAY 2 GR POLISHED BORDER	PIATTO RACCOGLIACQUA 2 GR. CON BORDO LUCIDO	
03001773.C	DRAIN TRAY 3 GR POLISHED BORDER	PIATTO RACCOGLIACQUA 3 GR. CON BORDO LUCIDO	
03003409	RIGHT PROTECTION SUPPORT DRAIN TRAY VA358	LAMIERA PROTEZIONE DX PIATTO RACC. ACQUA VA358	
03003410	LEFT PROTECTION SUPPORT DRAIN TRAY VA358	LAMIERA PROTEZIONE SX PIATTO RACC. ACQUA VA358	
03003425	SIDE PANEL SUPPORT VA358	LAMIERA SUPP. FIANCO VA358 - WER	
03003445	LOWER FRONT PLATE 2GR VA358	LAMIERA FRONTALE INFERIORE 2GR VA358	
03003446	LOWER FRONT PLATE 3GR VA358	LAMIERA FRONTALE INFERIORE 3GR VA358	
03003451	LOWER BACK PANEL 2 GR VA358	CARENA RETRO INF. 2GR. VA358	
03003452	LOWER BACK PANEL 3GR VA358	CARENA RETRO INF. 3GR. VA358	
03003458	SUPERIOR RIGHT CUPWARMER VA358	PORTATAZZE SUPER. DX VA358	
03003459	SUPERIOR LEFT CUPWARMER VA358	PORTATAZZE SUPER. SX VA358	
03003460	CUPWARMER CENTRAL PLATE VA358	PORTATAZZE SUPER. CENTR. VA358	
03003461	RIGHT SIDE PANEL SUPPORT VA358	MOSTRINA SUP. FIANCO DX VA358	
03003462	LEFT SIDE PANEL SUPPORT VA358	MOSTRINA SUP. FIANCO SX VA358	
03003486	SUPERIOR FRONT WALL 2GR LEVA	PARETE FRONTALE SUP. 2GR. VA358 LEVA	
03003487	SUPERIOR FRONT WALL 3GR LEVA	PARETE FRONTALE SUP. 3GR. VA358 LEVA	
03003492	FRONT WALL 2GR VA358 LEVA	PARETE FRONTALE 2GR. VA358 LEVA	
03003493	FRONT WALL 3GR VA358 LEVA	PARETE FRONTALE 3GR. VA358 LEVA	
04000861	STRIP LED LOGO ADONIS 1x300	STRIP LED LOGO ADONIS 1x300	
05000892	SAFETY COVER WORKTOP 2 ABS	CHIUSURA SICUR. PIANO LAVORO 2 ABS	
R05000892	KIT-SAFETY COVER WORKTOP 2 ABS - 1Pcs	KIT-CHIUSURA SICUR. PIANO LAVORO 2 ABS - 1Pz	
05000893	SAFETY COVER WORKTOP 3 ABS	CHIUSURA SICUR. PIANO LAVORO 3 ABS	
R05000893	KIT-SAFETY COVER WORKTOP 3 ABS - 1Pcs	KIT-CHIUSURA SICUR. PIANO LAVORO 3 ABS - 1Pz	
05001224.C	WATER GAUGE PLATE AURELIA II CHROME	MOSTRINA MANOMETRO AURELIA II CROMATA	
05002206	LIGHTED WRITING VICTORIA ARDUINO W/ PANEL	SCRITTA LUMINOSA "VICTORIA ARDUINO" CON PANNELLO	
05002210	FLAT ANGULAR DRIP TRAY SUPPORT	SUPPORTO ANGOLARE PIATTO RACCOGLIACQUA	
06100138.BPV	RIGHT INFERIOR SIDE PANEL VA358 PAINTED PEARL WH	FIANCO INF. DX VA358 BIANCO PERLA VERNICIATO	
06100138.C	RIGHT INFERIOR SIDE PANEL VA358 CHROME	FIANCO INF. DX VA358 CROMATO	
06100138.NOV	RIGHT INFERIOR SIDE PANEL VA358 PAINTED MATT BLAC	FIANCO INF. DX VA358 NERO OPACO VERNICIATO	
06100140.BPV	LEFT INFERIOR SIDE PANEL VA358 PAINTED PEARL WHIT	FIANCO INF. SX VA358 BIANCO PERLA VERNICIATO	
06100140.C	LEFT INFERIOR SIDE PANEL VA358 CHROME	FIANCO INF. SX VA358 CROMATO	
06100140.NOV	LEFT INFERIOR SIDE PANEL VA358 PAINTED MATT BLACK	FIANCO INF. SX VA358 NERO OPACO VERNICIATO	
09500006	AUTOMATIC THERMOSTAT 55°C PURPLE DRIPPING	TERMOSTATO R.AUT. 55°C GOCCIOLATURA VIOLA	
14100043	CUPWARMER HEATING ELEMENT L=303 150W 230V	RESISTENZA SCALDATAZZE L=303 150W 230V	
14100044	CUPWARMER HEATING ELEMENT L=188 100W 230V	RESISTENZA SCALDATAZZE L=188 100W 230V	
98010000009000001	RIGHT SIDE PANEL SET STEELUX	ASS. FIANCO DX VA358 STEELUX	
98010000009000004	RIGHT SIDE PANEL SET WHITE	ASS. FIANCO DX VA358 BIANCO	



INSPIRED BY YOUR PASSION.

T.01



VERSIONE LEVA

LEVA VERSION

COMPONENTI GRUPPO CARENA

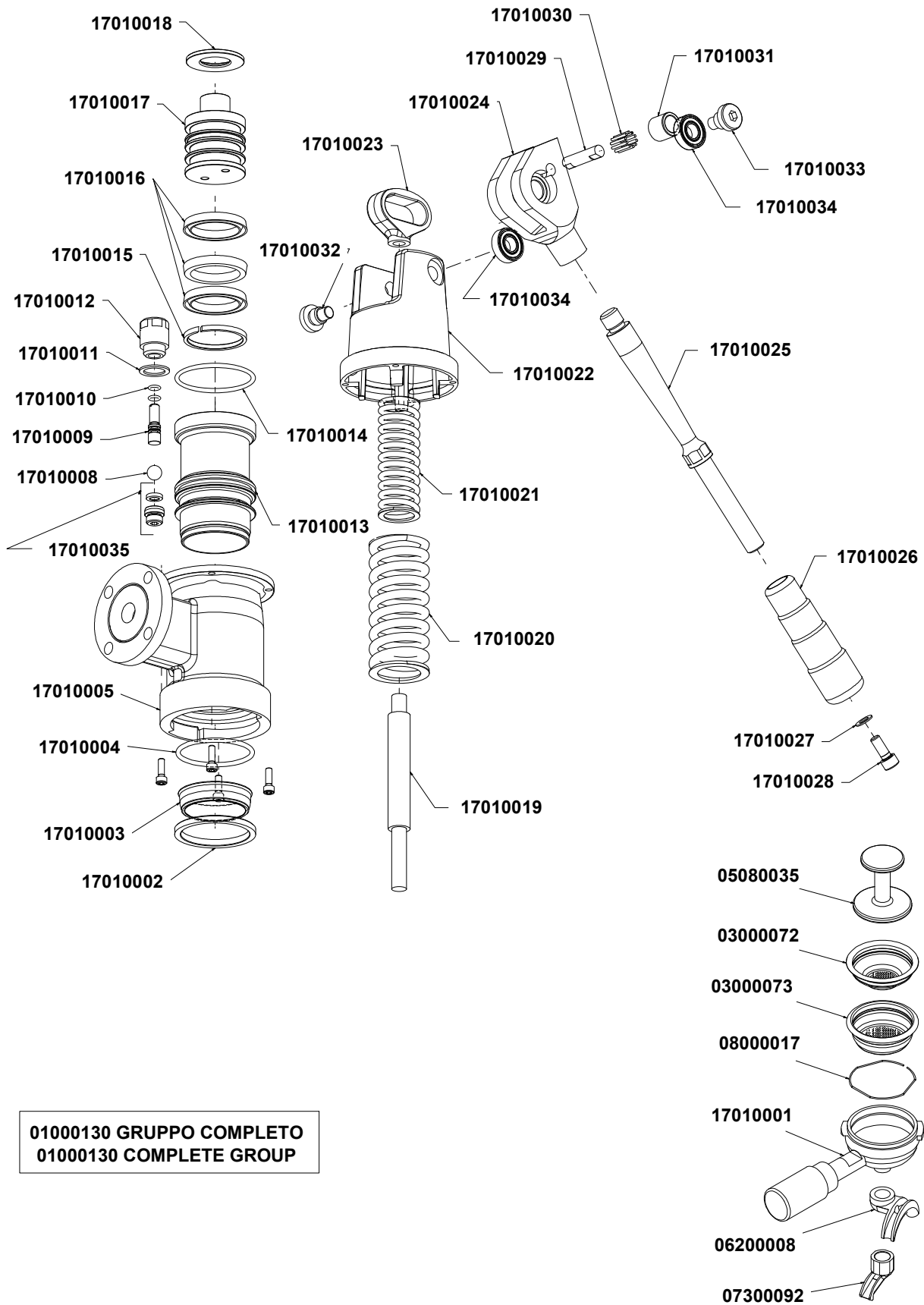
CABINET PARTS

COD.	DESCRIPTION	DESCRIZIONE	VAL.
980100000009000005	RIGHT SIDE PANEL SET BLACK	ASS. FIANCO DX VA358 NERO	
980100000009010001	LEFT SIDE PANEL SET STEELUX	ASS. FIANCO SX VA358 STEELUX	
980100000009010004	LEFT SIDE PANEL SET WHITE	ASS. FIANCO SX VA358 BIANCO	
980100000009010005	LEFT SIDE PANEL SET BLACK	ASS. FIANCO SX VA358 NERO	
980100000009120001	BACK PANEL SET 2GR STEELUX LIGHTS	ASS. RETRO VA358 2GR. STEELUX LUCI	
980100000009120002	BACK PANEL SET 2GR STEELUX	ASS. RETRO VA358 2GR. STEELUX	
980100000009120003	BACK PANEL SET 2GR BLACK LIGHTS	ASS. RETRO VA358 2GR. NERO LUCI	
980100000009120004	BACK PANEL SET 2GR BLACK	ASS. RETRO VA358 2GR. NERO	
980100000009120005	BACK PANEL SET 2GR WHITE	ASS. RETRO VA358 2GR. BIANCO	
980100000009120006	BACK PANEL SET 2GR WHITE LIGHTS	ASS. RETRO VA358 2GR. BIANCO LUCI	
980100000009130001	BACK PANEL SET 3GR STEELUX LIGHTS	ASS. RETRO VA358 3GR. STEELUX LUCI	
980100000009130002	BACK PANEL SET 3GR STEELUX LIGHTS	ASS. RETRO VA358 3GR. STEELUX	
980100000009130003	BACK PANEL SET 3GR BLACK LIGHTS	ASS. RETRO VA358 3GR. NERO LUCI	
980100000009130004	BACK PANEL SET 3GR BLACK	ASS. RETRO VA358 3GR. NERO	
980100000009130005	BACK PANEL SET 3GR WHITE LIGHTS	ASS. RETRO VA358 3GR. BIANCO LUCI	
980100000009130006	BACK PANEL SET 3GR WHITE	ASS. RETRO VA358 3GR. BIANCO	



VERSIONE LEVA
LEVA VERSION

COMPONENTI GRUPPO EROGAZIONE
POURING GROUP PARTS



01000130 GRUPPO COMPLETO
01000130 COMPLETE GROUP



VERSIONE LEVA

LEVA VERSION

COMPONENTI GRUPPO EROGAZIONE

POURING GROUP PARTS

COD.	DESCRIPTION	DESCRIZIONE	VAL.
01000130	COMPLETE LEVER GROUP UNIT WITH PORTAFILTER OT-4	GRUPPO A LEVA TESTA PESANTE COMPLETO DI PORTAFIL	
03000072	FILTER ONE COFFEE HIGH 7gr	FILTRO 1 CAFFE' ALTO 7gr.	
R03000072	KIT-FILTER ONE COFFEE HIGH 7gr - 3Pcs	KIT-FILTRO 1 CAFFE' ALTO 7gr. - 3Pz	
03000073	FILTER TWO COFFEE HIGH 14gr	FILTRO 2 CAFFE' ALTO 14gr.	
R03000073	KIT-FILTER TWO COFFEE HIGH 14gr - 3Pcs	KIT-FILTRO 2 CAFFE' ALTO 14gr. - 3Pz	
05080035	COFFEE TAMPER ABS BLACK	PRESSA CAFFE' ABS NERO	
06200008	2WAY OPEN NOZZLE	BECCO DUE VIE OPEN	
R06200008	KIT-2WAY OPEN NOZZLE - 1Pcs	KIT-BECCO DUE VIE OPEN - 1Pz	
07300092	1WAY CURVED OPEN NOZZLE	BECCO UNA VIA CURVO OPEN	
R07300092	KIT-1WAY CURVED OPEN NOZZLE - 2Pcs	KIT-BECCO UNA VIA CURVO OPEN - 2Pz	
08000017	S/S FILTER LOCKING SPRING	MOLLA BLOCCA FILTRO ACC.INOX	
R08000017	KIT-S/S FILTER LOCKING SPRING - 15Pcs	KIT-MOLLA BLOCCA FILTRO ACC.INOX - 15Pz	
17010001	COMPLETE PORTAFILTER - GR LEVA HEAVY HEAD	PORTAFILTRO COMPL. GRUPPO LEVA TESTA PESANTE	
17010002	GASKET 66x56x5.5 - GR LEVA T.P. 70000000220	GUARNIZ. SOTTOCOPPA 66x56x5.5 GRUPPO LEVA T.P.7000	
R17010002	KIT-GASKET 66x56x5.5 - GR LEVA T.P. - 10Pcs	KIT-GUARNIZ. SOTTOCOPPA 66x56x5.5 - 10Pz	
17010003	S/S SHOWER FILTER - GR LEVA T.P. 70000000221	FILTRO A DOCCIA INOX GRUPPO LEVA T.P. 70000000221	
R17010003	KIT-S/S SHOWER FILTER - GR LEVA T.P. - 3Pcs	KIT-FILTRO A DOCCIA INOX - 3Pz	
17010004	OR-161 57.15x3.53 VITON - GR LEVA T.P. 70000000223	OR-161 57.15x3.53 VITON GRUPPO LEVA T.P.70000000223	
17010005	BODY LEVA GROUP GRAND.S/CIRC.CR. LEVA GROUP T.P	CORPO GR.LEVA GRAND.S/CIRC.CR. GRUPPO LEVA T.P. F	
17010008	S/S SPHERE D12 AISI 304 - GR LEVA T.P. 70000000226	SFERA D12 INOX Aisi304 GRUPPO LEVA T.P.70000000226	
17010009	S/S PIN LOCKING VALVE - GR LEVA T.P. 70000000227	PERNO INOX CHIUS.VALV. GRUPPO LEVA T.P.70000000227	
17010010	OR-106 1.78x6.75 VITON - GR LEVA T.P. 70000000228	OR-106 1.78x6.75 VITON GRUPPO LEVA T.P.70000000228	
17010011	COPPER WASHER 17.5x24.5x1.5 - GR LEVA T.P. 700000002	RONDELLA RAME 17.5x24.5x1.5 GRUPPO LEVA T.P.7000000	
17010012	BODY VALVE LOCK - GR LEVA CR. T.P. 70000000230	CORPO VALV.CHIUS. GR.LEVA CR. GRUPPO LEVA T.P.7000	
17010013	SLEEVE FOR LEVA GROUP	CAMICIA X GR.LEVA GRANDE CR.GRUPPO LEVA T.P. F1564	
17010014	OR-162 58.74x3.53 VITON - GR LEVA T.P. 70000000231	OR-162 58.74x3.53 VITON GRUPPO LEVA T.P.70000000231	
17010015	RING PTFE 50x44x4 X PISTON - GR LEVA T.P. 70000000232	ANELLO PTFE 50x44x4 X PISTONE GRUPPO LEVA T.P.70000	
R17010015	KIT-RING PTFE 50x44x4 X PISTON - 4Pcs	KIT-ANELLO PTFE 50x44x4 X PISTONE - 4Pz	
17010016	PISTON GASKET - GR LEVA 2009 T.P. 70000000236	GUARNIZIONE X PISTONE GR.LEVA GRUPPO LEVA T.P.700	
R17010016	KIT-PISTON GASKET - 2Pcs	GUARNIZIONE X PISTONE GR.LEVA - 2Pz	
17010017	PISTON D49 FOR LEVA GROUP LEVA T.P. 70 000000234	PISTONE D49 X GRUPPO LEVA 2009 GRUPPO LEVA T.P. 70	
17010018	BUSH STEEL SPRING GUIDE	BOCCOLA INOX GUIDAMOLLEGRUPPO LEVA T.P. 70000000	
17010019	S/S SHAFT PISTON - GR LEVA 2009 T.P. 70000000236	ALBERO INOX PIST.GR.LEVA 2009 GRUPPO LEVA T.P.70000	
17010020	BIG SPRING 7x49.2 - GR LEVA T.P. 70000000237	MOLLA GRANDE GR.LEVA 7x49.2 GRUPPO LEVA T.P.700000	
17010021	LITTLE SPRING 4.5x33.9 - GR LEVA T.P. 70000000238	MOLLA PICCOLA GR.LEVA 4.5x33.9 GRUPPO LEVA T.P.7000	
17010022	GROUP HEAD LEVA 2009 CHROME LEVA GROUP T.P. F19	TESTA GRUPPO LEVA 2009 CROM. GRUPPO LEVA T.P. F19	
17010023	SLOTTED RING - GR LEVA 2009 CR T.P. F1956O0MM00	ANELLO ASOLATO GR.LEVA 2009 CR GRUPPO LEVA T.P.F1	
17010024	GROUP JOINT - GR LEVA 2009 CHROME T.P. F1957O0MM0	SNODO GRUPPO LEVA 2009 CROMATO GRUPPO LEVA T.P.	
17010025	LEVER L=232 - CR. GROUP LEVA T.P. 70000000239	LEVA L=232 PER GRUPPO LEVA CR. GRUPPO LEVA T.P.700	
17010026	LEVER GROUP HANDLE - GROUP LEVA T.P. 70000000240	MANOPOLA PER GRUPPO LEVA GRUPPO LEVA T.P.700000	
17010027	S/S WASHER 15x8.4x1 - GROUP LEVA T.P. 70000000241	RONDELLA INOX 15x8.4x1 GRUPPO LEVA T.P.70000000241	
17010028	S/S SCREW M8x20 - GROUP LEVA T.P. 70000000242	VITE TCE A2 INOX 8x20 GRUPPO LEVA T.P. 70000000242	
17010029	PIN BEARING - 2009 GROUP LEVA T.P. 70000000243	SPINA CUSC.RULLI GR.LEVA 2009 GRUPPO LEVA T.P.70000	
17010030	ROLLER NRB 2x17.8 G2 GROUP LEVA T.P. 70000000244	RULLO NRB 2x17.8 G2 GRUPPO LEVA T.P. 70000000244	
17010031	BUSHING D20D14 H18 TEMPR.RETT. GROUP LEVA T.P. 70	BUSSOLA D20D14 H18 TEMPR.RETT. GRUPPO LEVA T.P.70	
17010032	LEFT THREADED PIN SCREW - ATHENA LEVA GROUP 200	VITE PERNO FIL.SX GR.LEVA 2009 GRUPPO LEVA T.P.70000	
17010033	RIGHT THREADED PIN SCREW - ATHENA LEVA GROUP 20	VITE PERNO FIL.DX GR.LEVA 2009 GRUPPO LEVA T.P.70000	



INSPIRED BY YOUR PASSION.

T.02



VERSIONE LEVA

LEVA VERSION

COMPONENTI GRUPPO EROGAZIONE

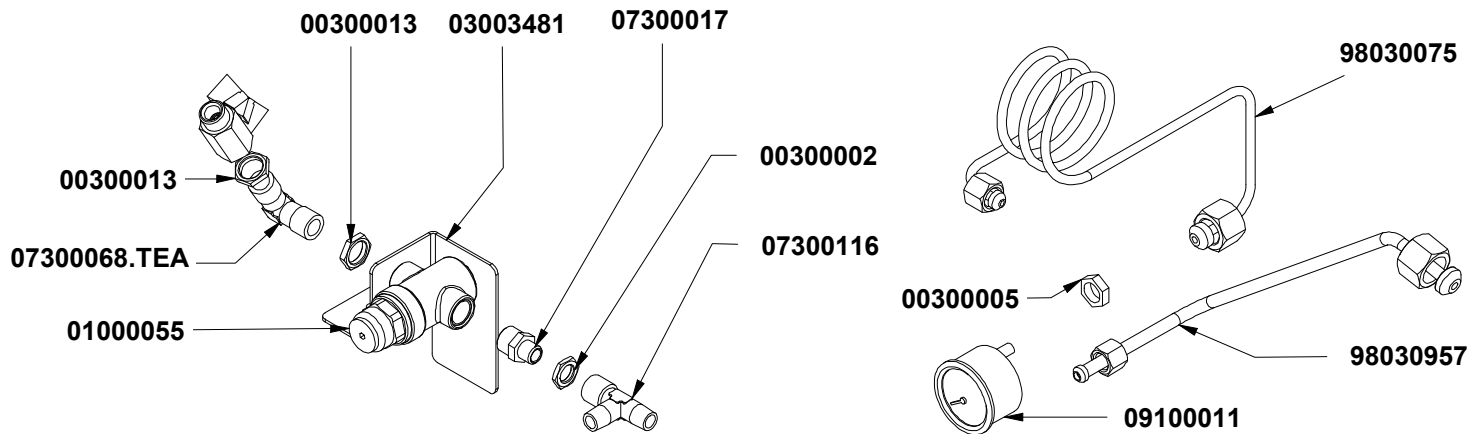
POURING GROUP PARTS

COD.	DESCRIPTION	DESCRIZIONE	VAL.
17010034	SPHERE BEARING 28x12x8 - GROUP LEVA T.P. 700000002	CUSCINETTO SFERE 28x12x8 GRUPPO LEVA T.P.700000002	
17010035	FITTING D16 G1/4 + PTFE TABLET ASSEMBLED 700000002	RACCORDO D16 G1/4 + PASTIGLIA PTFE ASSEMBLATI700000002	

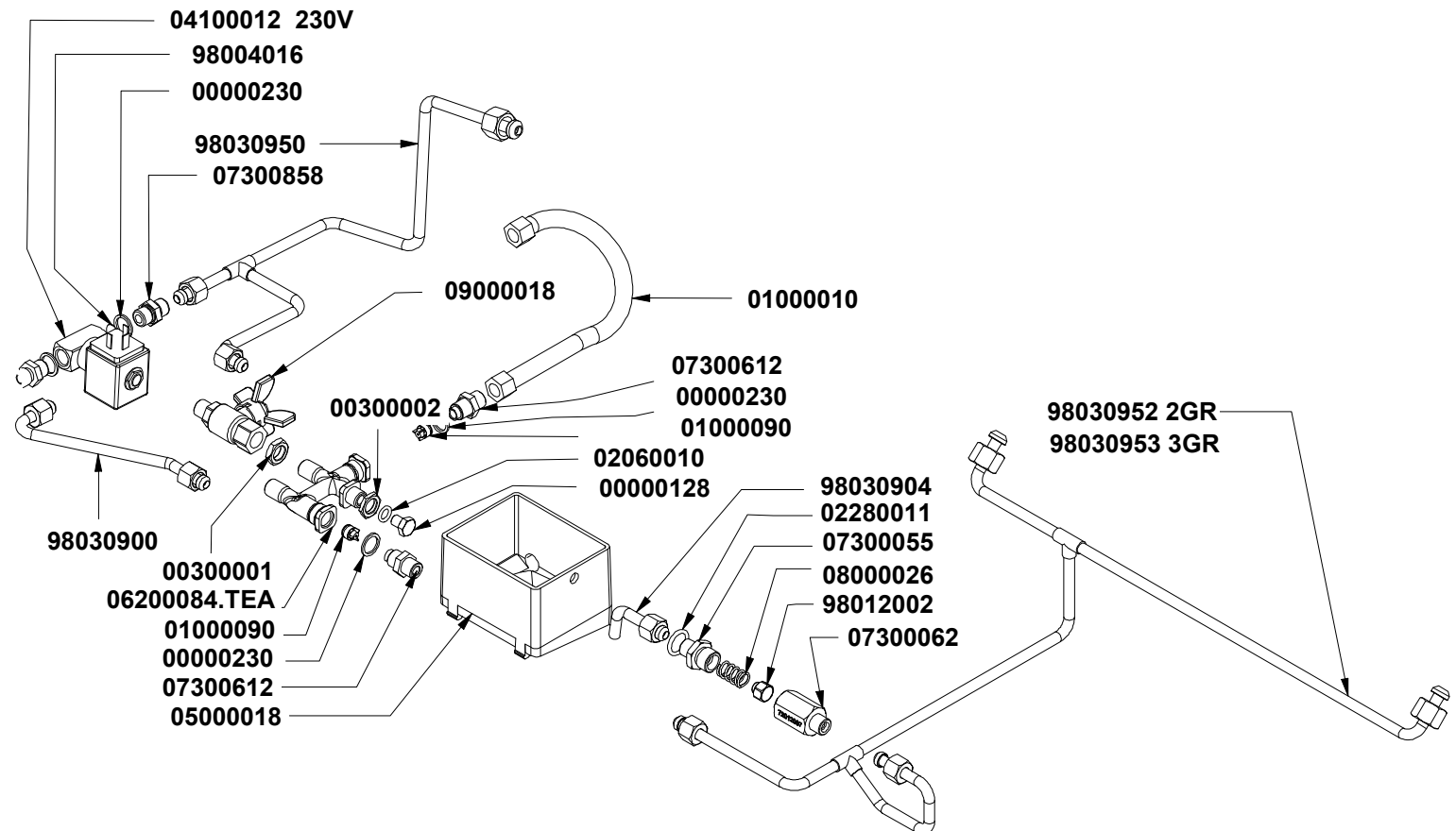


VERSIONE LEVA
LEVA VERSION

COMPONENTI IDRAULICI
HYDRAULIC PARTS



CODE	DESCRIPTION	DESCRIZIONE
00000133	STAINLESS STEEL CLAMP 16-25	FASCETTA INOX 16-25
01000030	FLEXIBLE PIPE L=500	TUBO FLESSIBILE L=500
01000127	EXHAUST PIPE WITH FITTING	TUBO SCARICO CON RACCORDO





VERSIONE LEVA

LEVA VERSION

COMPONENTI IDRAULICI

HYDRAULIC PARTS

COD.	DESCRIPTION	DESCRIZIONE	VAL.
00000128	S/S HEX CAP SCREW M8x10 THREADED	VITE INOX M8x10 TE TUTTO FIL.	
00000133	S/S CLIP WD12 16-25 C7 W2	FASCETTA INOX WD12 16-25 C7 W2	
00000230	COPPER WASHER SEAL 14X18X1.5	RONDELLA GUARNIZIONE RAME RICOTTO 14x18x1.5	
00300001	BRASS NUT 1/4 GAS D5 CH18	DADO OT 1/4 GAS SPESS.5 CH18 *AGG. 22.07.96	
00300002	BRASS NUT 1/4 D3 CH18	DADO OT 1/4 SPESS.3 CH18 AGG. 22.07.96	
R00300002	KIT-BRASS NUT 1/4 D3 - 15Pcs	KIT-DADO OT 1/4 SPESS.3 - 15Pz	
00300005	BRASS NUT 1/8 GAS D4 ADD 22.07.96 CH13	DADO OT 1/8 GAS AGG.22.07.96 SPESS.4 CH13	
00300013	BRASS NUT 3/8 GAS D4 CH20 ADD 22.07.96	DADO OT 3/8 GAS SPESS.4 CH20 AGG.22.07.96	
01000010	S/S FLEXIBLE TUBE 1/4 FF L=320	TUBO FLESS.INOX 1/4 F-F L=320	
R01000010	KIT-S/S FLEXIBLE TUBE 1/4 FF L=320 - 1Pcs	KIT-TUBO FLESS.INOX 1/4 F-F L=320 - 1Pz	
01000030	S/S FLEXIBLE TUBE 3/8 FF L=500	TUBO FLESS INOX 3/8 F-F L=500	
01000055	PRESSURE REDUCTION VALVE 3/8 4 BAR	RIDUTT. DI PRESS. FF 3/8 4BAR	
01000090	RETAINING VALVE D10	VALVOLINA DI RITEGNO D.10	
R01000090	KIT-RETAINING VALVE D10 - 6Pcs	KIT-VALVOLINA DI RITEGNO D.10 - 6Pz	
01000127	DIRECT SLEEVE DISCHARGE TUBE D19 L=2m	TUBO SCARICO CON MANICOTTO DIRITTO D.19 L= 2 m	
R01000127	KIT-DIRECT SLEEVE DISCHARGE TUBE D19 L=2m - 2Pcs	KIT-TUBO SCARICO CON MANICOTTO DIRITTO D.19 L= 2 m-	
02060010	COPPER O RING 8.3x13x1.9 ND8	OR RAME 8,3x13xh1,9 DN8	
02280011	GASKET O RING R11 D19 EP 851	GUARN. OR R11 D19 EP 851	
R02280011	KIT-GASKET O RING R11 D19 EP - 25Pcs	KIT-GUARN. OR R11 D19 EP - 25Pz	
03003481	PRESSURE REDUCER SUPPORT	SUPPORTO RIDUTTORE DI PRESSIONE VA358 LEVA	
04100012	2WAY SOLENOID 1/4-1/4 220-230V50/60hz F1.5 UL TH2xM5	E.V. NC 2VIE 1/4-1/4 220-230V 50/60HZ VITON F1.5CE PIEDIN	
R04100012	KIT-2WAY SOLENOID 1/4-1/4 220-230V50/60hz F1.5 - 1Pcs	KIT-E.V. NC 2VIE 1/4-1/4 220-230V 50/60HZ VITON- 1Pz	
05000018	DRAIN TRAY AURELIA	VASCHETTA SCARICO AURELIA	
R05000018	KIT-DRAIN TRAY - 4Pcs	KIT-VASCHETTA SCARICO AURELIA - 4Pz	
06200084.TEA	5WAY MANIFOLD AURELIA OT-57 USA TEA	CROCIERA 5 VIE "AURELIA" OT-57 USA + TEATURA	
07300017	FITTING 1/4M 3/8M GAS OT-57 USA	RACCORDO 1/4M 3/8M GAS OT-57 USA	
07300055	SPRING HOLDER PLUG 3/8"-1/4"	TAPPO PORTAMOLLA 3/8"-1/4" *AGG. 14.06.99	
07300062	NEPLAX/RETURN BODY VLVE AT DA 1/4 GAS ADD.23.06.9	CORPO VALVOLA NEPLAX/RITEGNO AT. DA 1/4 GASAGG.23	
07300068.TEA	CYLINDRICAL ELBOW FITTING G3/8" M/M	RACCORDO L 3/8 M-M CILIN. OT-57 + TEATURA	
07300116	FITTING T 1/4 M-M-F OT-57	RACCORDO T 1/4 M-M-F OT-57	
R07300116	KIT-FITTING T 1/4 M-M-F - 5Pcs	KIT-RACCORDO T 1/4 M-M-F - 5Pz	
07300612	FITTING 1/4 1/4 GAS WITH ORING + RETURN VALVE LOCK	RACCORDO 1/4 1/4 GAS CON OR + BLOCCA VALVOLINARIT	
07300858	FITTING 1/4M-1/4M OT-57 USA	RACCORDO 1/4M-1/4M OT-57 USA	
R07300858	KIT-FITTING 1/4M-1/4M - 15Pcs	KIT-RACCORDO 1/4M-1/4M - 15Pz	
08000026	CALIBRATED SPRING D11.4 F1.5 5.25S NEPLAX VALVE 95	MOLLA TARATA D 11.4 F1.5 5.25SVALVOLA NEPLAX 95	
09000018	DISPENSING SPHERE TAP 1/4 M-F "BUTTERFLY"	RUBINET. SFERA DISTRIBUTORE 1/4 M-F A FARFALLA	
09100011	GAUGE SCALE 0-16 BAR 1/8 D.60 VICTORIA ARDUINO	MANOMETRO SCALA 0-16 BAR 1/8 D.60 VICTORIA ARDUINO	
R09100011	KIT-GAUGE SCALE 0-16 BAR 1/8 D.60 VA - 1Pcs	KIT-MANOMETRO SCALA 0-16 BAR 1/8 D.60 VA - 1Pz	
98004016	S/S FILTER D12	FILTRO INOX DIAM. 12	
R98004016	KIT-S/S FILTER D12 - 25Pcs	KIT-FILTRO INOX DIAM. 12 - 25Pz	
98012002	COMPLETE SMALL PISTON NEPLAX VALVE	PISTONCINO VALV.NEPLAX COMPL.	
98030075	CAPILLARY TUBE 1/8-1/4 0,9X2X400 GAUGE-PUMP	TUBO CAPILLARE 1/8-1/4 0,9x2x400 MANOM.-POMPA	
R98030075	KIT-CAPILLARY TUBE 1/8-1/4 0,9X2X400 GAUGE-PUMP - 2P	KIT-TUBO CAPILLARE 1/8-1/4 0,9x2x400 MANOM.-POMPA- 2P	
98030900	VALVE LEVEL - MANIFOLD TUBE VA358	TUBO E.V. LIVELLO-CROCIERA VA358	
98030904	DRAIN TUBE NEPLAX VA358	TUBO SCARICO NEPLAX VA358	
98030950	BOILER LOADING TUBE VA358 LEVA	TUBO CARICO CALDAIA VA358 LEVA	
98030952	MANIFOLD 2GR VA358 LEVA	CROCIERA 2GR. VA358 LEVA	



INSPIRED BY YOUR PASSION.

T.03



VERSIONE LEVA

LEVA VERSION

COMPONENTI IDRAULICI

HYDRAULIC PARTS

COD.	DESCRIPTION	DESCRIZIONE	VAL.
98030953	MANIFOLD 3GR VA358 LEVA	CROCIERA 3GR. VA358 LEVA	
98030957	BOILER PIPE - PRESSURE GAUGE VA358 LEVER	TUBO CALDAIA - MANOMETRO VA358 LEVA	



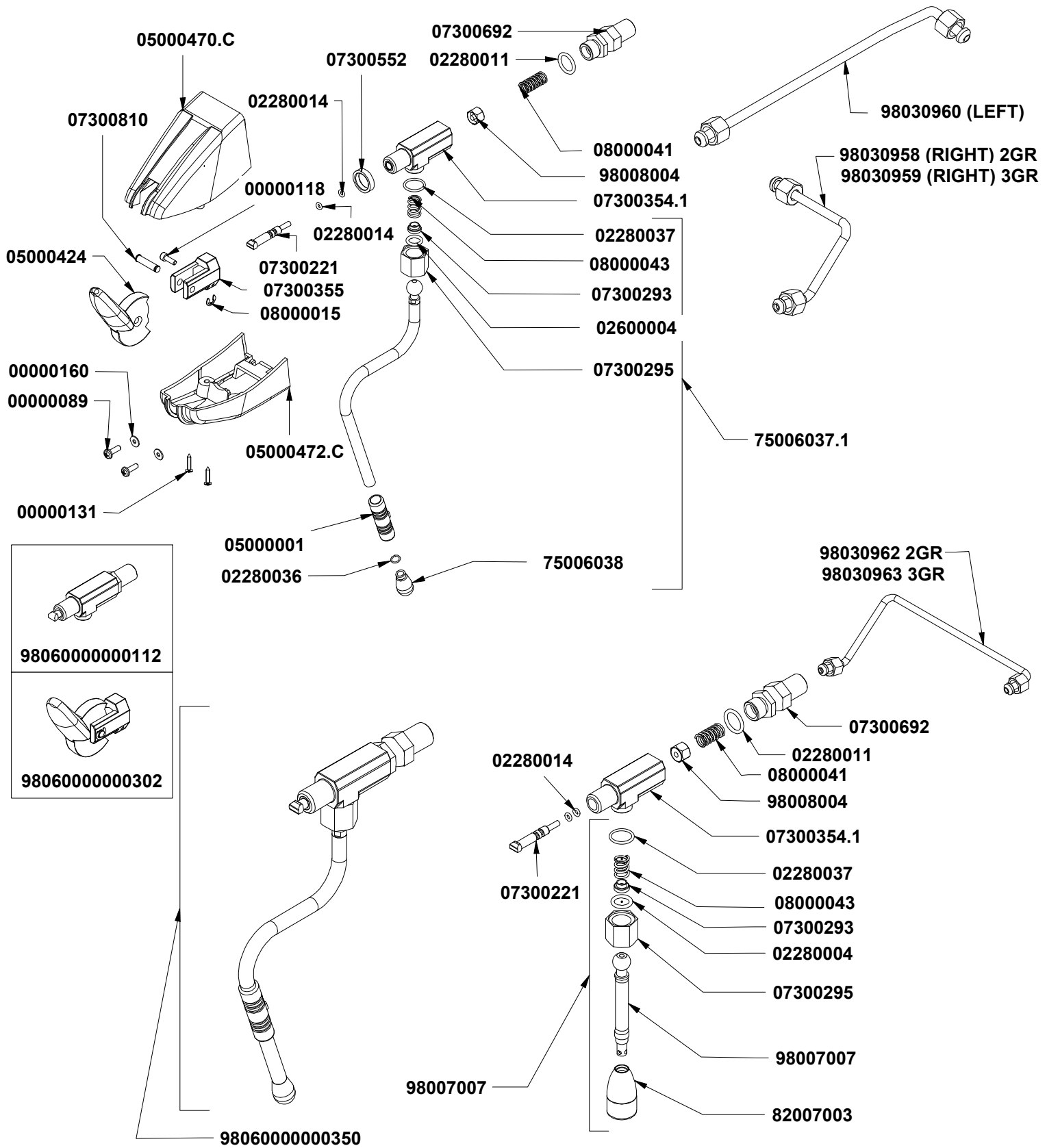
INSPIRED BY YOUR PASSION.

T.03



VERSIONE LEVA
LEVA VERSION

COMP. VAPORE E ACQUA CALDA
STEAM & HOT WATER PARTS





VERSIONE LEVA

LEVA VERSION

COMP. VAPORE E ACQUA CALDA

STEAM & HOT WATER PARTS

COD.	DESCRIPTION	DESCRIZIONE	VAL.
00000089	S/S CROSSHEAD CAP SCREW M4x12 DIN7985	VITE INOX M4x12 TC TCR DIN7985	
00000118	S/SHEX SOCKET CAP SCREW M4x12 5931	VITE INOX M4x12 TCEI 5931	
00000131	SS SELF-TAPPING CROSS HEAD CAP SCREW 3.9x16	VITE AUTOF INOX 3,9x16 TC TCR	
00000160	S/S WASHER D4X12 UNI 6593	RONDELLA INOX D4x12x1 UNI 6593	
02280004	GASKET O RING 115 D17 EP 856 x SWIVEL STEAM PIPE	GUARN. OR 115 D.17 EP856 SNODO LANCIA	
R02280004	KIT-GASKET O RING 115 D17 EP 856 x STEAM PIPE - 55Pcs	KIT-GUARN. OR 115 D.17 EP856 SNODO LANCIA - 55Pz	
02280011	GASKET O RING R11 D19 EP 851	GUARN. OR R11 D19 EP 851	
R02280011	KIT-GASKET O RING R11 D19 EP - 25Pcs	KIT-GUARN. OR R11 D19 EP - 25Pz	
02280014	GASKET GASKET O RING D.7 AN2/OR102 SILICON	GUARN. OR D7 AN2/OR102 SILICON7XL1715	
R02280014	KIT-GASKET GASKET O RING D.7 AN2/OR102 SILICON - 30	KIT-GUARN. OR D7 SILICON 7XL1715 - 30Pz	
02280036	O RING FOR STEAM WAND NOZZLE D6x1.2 EPDM70 500 P	GUARN. OR x BECCO LANCIA VAP. DI 6x1.2 EPDM70(CONF.	
R02280036	KIT-O RING FOR STEAM WAND NOZZLE D6x1.2 EPDM - 65	KIT-GUARN. OR x BECCO LANCIA VAP. D. 6x1.2 EPDM- 65Pz	
02280037	GASKET O RING JOINT LOCK 16x2 NBR70	GUARN. OR CHIUSURA SNODO 16x2 NBR70	
R02280037	KIT-GASKET O RING JOINT LOCK 16x2 NBR - 45Pcs	KIT-GUARN. OR CHIUSURA SNODO 16x2 NBR - 45Pz	
02600004	O RING 15,2x10,2x2,5 TEFLON x STEAM WAND SPHERE	GUARN. OR 15,2x10,2x2,5 TEFLONx SFERA LANCIAVAPORE	
R02600004	KIT-O RING 15,2x10,2x2,5 TEFLON x STEAM - 55Pcs	KIT-GUARN. OR 15,2x10,2x2,5 TEFLONx SFERA LANCIA- 55Pz	
05000001	RUBBER PROTECTION FOR STEAMWAND D10	GOMMINO PROTEZIONE LANCIA D.10	
R05000001	KIT-RUBBER PROTECTION FOR STEAMWAND D10 - 10Pcs	KIT-GOMMINO PROTEZIONE LANCIA D.10 - 10Pz	
05000424	STEAM TAP HANDLE VA388	MANOPOLA VAPORE VA388 - VA358	
R05000424	KIT-STEAM TAP HANDLE - 3Pcs	KIT-MANOPOLA VAPORE - 3Pz	
05000470.C	UPPER STEAM WAND COVER CHROME VA358	COPRI RUBINETTO VAPORE SUP. VA358 CROMATO	
R05000470.C	KIT-UPPER STEAM WAND COVER CHROME - 1Pcs	KIT-COPRI RUBINETTO VAPORE SUP. CROMATO - 1Pz	
05000472.C	LOWER STEAM WAND COVER CHROME VA358	COPRI RUBINETTO VAPORE INF. VA358 CROMATO	
R05000472.C	KIT-LOWER STEAM WAND COVER CHROME - 1Pcs	KIT-COPRI RUBINETTO VAPORE INF. CROMATO - 1Pz	
07300221	S/S STEAMTAP ROD	ASTA INOX RUBINETTO VAPORE	
R07300221	KIT-S/S STEAMTAP ROD - 3Pcs	KIT-ASTA INOX RUBINETTO VAPORE - 3Pz	
07300293	ARTICULATED BUSHING AG.25.06.96 OT-57	BUSSOLA SNODO AG.25.06.96 OT-57	
R07300293	KIT-ARTICULATED BUSHING - 15Pcs	KIT-BUSSOLA SNODO - 15Pz	
07300295	NUT FITTING 3/8 H=21 BRASS-NICKEL ARTICULATED WAN	DADO RACC. 3/8 H=21 LANCIA SNODATA OTTONENICHELA	
R07300295	KIT-NUT FITTING 3/8 H=21 BRASS-NICKEL ARTICULATED -	KIT-DADO RACC. 3/8 H=21 LANCIA SNODATA - 6Pz	
07300354.1	STEAM TAP BODY FOR ARTICULATED BRASS WAND OT-5	CORPO RUB. VAPORE x LANC. SNODOTONE OT-57	
07300355	TAP FORK 99 BRASS OT-58	FORCELLA RUBINETTO 99 OTTONE OT-58	
R07300355	KIT-TAP FORK 99 BRASS - 3Pcs	KIT-FORCELLA RUBINETTO - 3Pz	
07300552	BIG WASHER PTFE TAP LEVER OPENING ADONIS	RONDELLA GRANDE PTFE RUBINETTO APERTURA A LEVA	
07300692	SPRING HOLDER PLUG STEAM WAND ADONIS OT-57	TAPPO PORTAMOLLA RUB.VAP. ADONIS OT-57	
R07300692	KIT-SPRING HOLDER PLUG STEAM WAND - 4Pcs	KIT-TAPPO PORTAMOLLA RUB.VAP. - 4Pz	
07300810	STEAM TAP PIN AURELIA IIOT-58	SPINOTTO RUB.VAPORE AURELIA IIOT-58	
R07300810	KIT-STEAM TAP PIN - 25Pcs	KIT-SPINOTTO RUB.VAPORE - 25Pz	
08000015	S/S SEEGER RING TYPE RS 5 UNI7434	ANELLO SEEGER TIPO RS 5 INOX UNI7434	
08000041	STEAM TAP SPRING 7 ST 11,5X8,5X22	MOLLA 7 ST 11,5X8,5X22 RUB.VAPORE	
08000043	SPRING FOR ARTICULATED WAND D.1.6 D.11.9x16.2 4COIL	MOLLA PER LANCIA SNODATA FILO D.1.6 D.11.9x16.2 4SPIR	
R08000043	KIT-SPRING FOR ARTICULATED WAND D.1.6 D.11.9x16.2 -	KIT-MOLLA PER LANCIA SNODATA FILO D.1.6 D.11.9x16. - 15	
75006037.1	S/S ARTICULATED STEAMWAND KIT W/ 1,5mm NOZZLE	KIT LANCIA VAPORE SNODATA INOX INCLINATA CON BECC	
75006038	STEAM NOOZLE M8,65x0,75 F. 1,5 ROUNDED	BECCO VAPORE M8,65x0,75 F. 1,5 BOMBATO	
82007003	HOTWATER DIFFUSER D23,5 F1/8 WITH PLASTIC AERATC	ROMPIGETTO ACQUA CALDA D.23,5 F 1/8" CON AERATORE	
98007007	S/S HOTWATER WAND KIT L100 HIGH W/ DIFFUSER	KIT LANCIA ACQUA C. INOX L=100COMPL. DI ROMPIGETTO	
98008004	COMPLETE STEAM VALVE PISTON	PISTONCINO CHIUSURA COMPLETO	



VERSIONE LEVA

LEVA VERSION

COMP. VAPORE E ACQUA CALDA

STEAM & HOT WATER PARTS

COD.	DESCRIPTION	DESCRIZIONE	VAL.
R98008004	KIT-COMLETE STEAM VALVE PISTON - 5Pcs	KIT-PISTONCINO CHIUSURA COMPLETO - 5Pz	
98030958	BOILER PIPE - RIGHT STEAM 2GR.VA358 LEVER	TUBO CALDAIA - VAPORE DX 2GR. VA358 LEVA	
98030959	BOILER PIPE - RIGHT STEAM 3GR.VA358 LEVER	TUBO CALDAIA - VAPORE DX 3GR. VA358 LEVA	
98030960	BOILER PIPE - LEFT STEAM 2-3GR.VA358 LEVER	TUBO CALDAIA - VAPORE SX 2-3GR. VA358 LEVA	
98030962	BOILER PIPE - HOT WATER WAND 2GR VA358 LEVER	TUBO CALDAIA - LANCIA ACQUA CALDA 2GR. VA358 LEVA	
98030963	BOILER PIPE - HOT WATER WAND 3GR VA358 LEVER	TUBO CALDAIA - LANCIA ACQUA CALDA 3GR. VA358 LEVA	
98060000000112	STEAM TAP SET WITHOUT WAND VA338-VA358	ASS. RUBINETTO VAPORE SENZA LANCIA VA388 - VA358	
98060000000302	STEAM TAP LEVER SET VA388-VA358	ASSIEME LEVA PER RUBINETTO VAPORE VA388 - VA358	
R98060000000302	KIT-STEAM TAP LEVER SET - 1Pcs	KIT-ASSIEME LEVA PER RUBINETTO VAPORE - 1Pz	
98060000000350	STEAM WAND +TAP SET VA358	ASS. RUBINETTO VAPORE + LANCIA VAPORE VA358	



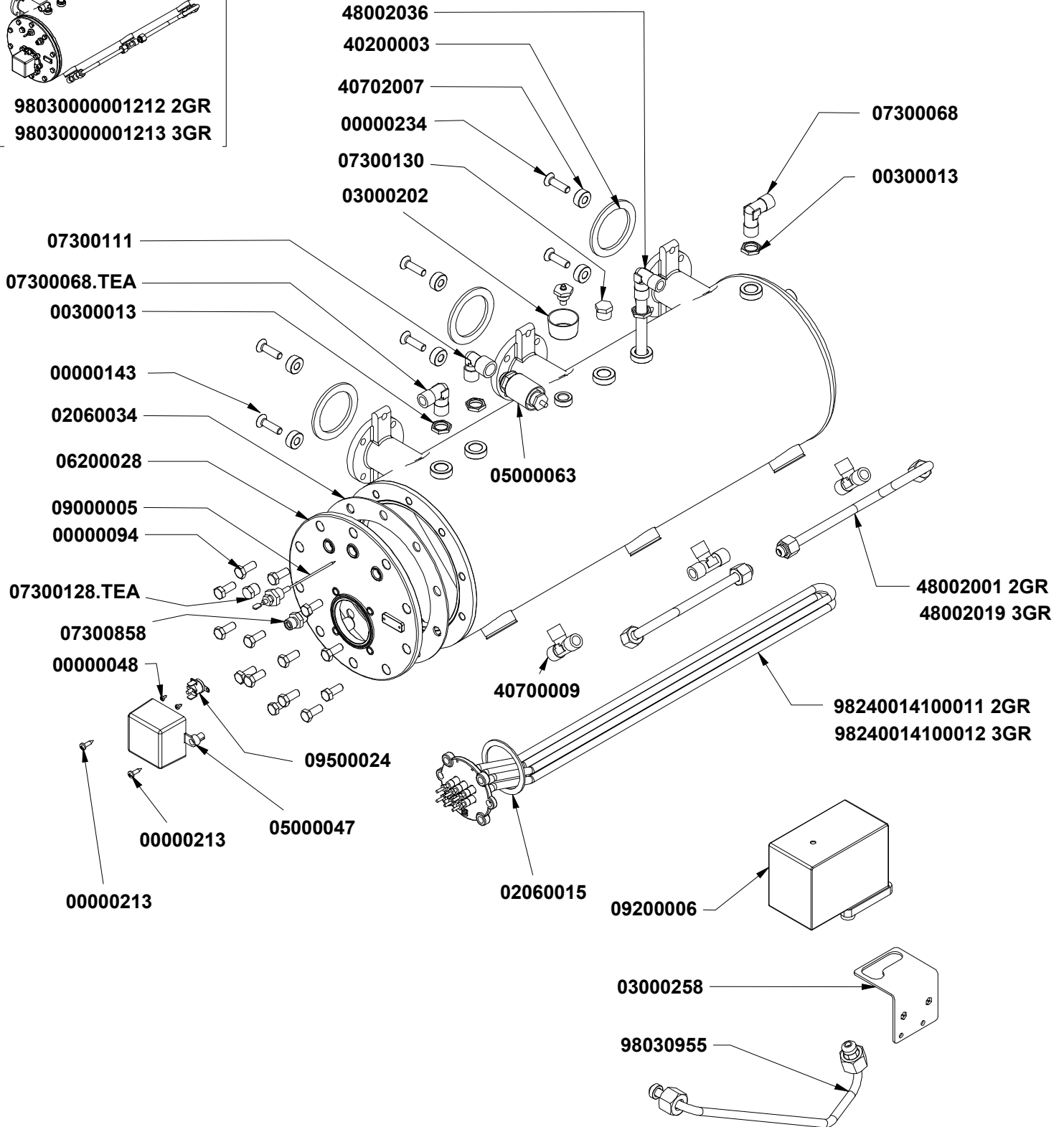
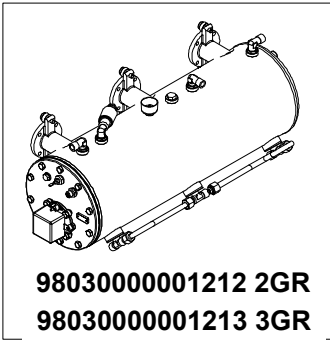
INSPIRED BY YOUR PASSION.

T.04



VERSIONE LEVA
LEVA VERSION

PARTI CALDAIA
BOILER PARTS





VERSIONE LEVA

LEVA VERSION

PARTI CALDAIA

BOILER PARTS

COD.	DESCRIPTION	DESCRIZIONE	VAL.
07300068	FITTING L 3/8 M-M CYLIN	RACCORDO L 3/8 M-M CILIN.	
00000048	SELF-TAPPING SCREW 2.9x4.5 TC/T.CR.	VITE AUTOF 2,9x4,5 TC/T.CR.	
00000094	S/S HEX CAP SCREW M8x20 5739	VITE INOX M8x20 TE 5739	
00000143	S/S HEX SOCKET CAP SCREW M8x25	VITE INOX M8x25 TCEI	
00000213	GALV SELF-TAPPING SCREW 4,2x16 TC T.CR.	VITE AUTOF 4,2x16 TC T.CR. ZIN	
00000234	S/S HEX SOCKET CAP SCREW M8x30 ISO10642	VITE INOX M8x30 TPSEI ISO10642	
00300013	BRASS NUT 3/8 GAS D4 CH20 ADD 22.07.96	DADO OT 3/8 GAS SPESS.4 CH20 AGG.22.07.96	
02060015	GASKET FOR HEATING ELEMENT 067x054x2	GUARNIZIONE PTFE 067x054x2	
R02060015	KIT-GASKET FOR HEATING ELEMENT 067x054x2 - 8Pcs	KIT-GUARNIZIONE PTFE 067x054x2 - 8Pz	
02060034	FLANGE GASKET D200X150X2	GUARN. FLANGIA D200X150X2 *	
03000202	CONDENSATION TRAY MASTER	VASCHETTA RACCOGLI CONDENSA AGG. 07.06.97	
03000258	PRESSURE SWITCH SUPPORT P/1-MAC 1	SUPPORTO PRESSOSTATO P/1-MAC1	
05000047	SQAURE RESISTANCE COVER V0	COPRI RESISTENZA QUADRATA V0	
R05000047	KIT-SQUARE RESISTANCE COVER V0 - 6Pcs	KIT-COPRI RESISTENZA QUADRATA - 6Pz	
05000063	SAFETY VALVE COVER PA6	COPRI VALVOLA SICUREZZA PA6	
R05000063	KIT-SAFETY VALVE COVER PA6 - 8Pcs	KIT-COPRI VALVOLA SICUREZZA PA6 - 8Pz	
06200028	CLOSING FLANGE D205 PR.	FLANGIA CHIUSURA D205 PR. #	
07300068.TEA	CYLINDRICAL ELBOW FITTING G3/8" M/M	RACCORDO L 3/8 M-M CILIN. OT-57 + TEATURA	
07300111	L FITTING 3/8 M-F 458 ADD. 18.02.97	RACCORDO L 3/8 M-F 458 AGG. 18.02.97	
07300128.TEA	PLUG 1/4 GAS+THEATURE	TAPPO 1/4 GAS AGG.31.01.89 OT-57 + TEATURA	
07300130	PLUG 3/8 GAS ES 17<	TAPPO 3/8" GAS ES 17 <	
07300858	FITTING 1/4M-1/4M OT-57 USA	RACCORDO 1/4M-1/4M OT-57 USA	
R07300858	KIT-FITTING 1/4M-1/4M - 15Pcs	KIT-RACCORDO 1/4M-1/4M - 15Pz	
09000005	COMPLETE AUTOLEVEL PROBE L=130	SONDA AUTOLIVELLO COMP. L=130	
R09000005	KIT-COMPLETE AUTOLEVEL PROBE L=130 - 1Pcs	KIT-SONDA AUTOLIVELLO COMP. L=130 - 1Pz	
09200006	MACHINE PRESSO GAUGE CE/UL TRIF. 30A 400V 0,5-1,4BA	PRESSOSTATO MACCHINA CE/UL TRIF. 30A 400V0,5-1,4BA	
R09200006	KIT-MACHINE PRESSO GAUGE CE/UL TRIF. 30A 400V - 1Pc	KIT-PRESSOSTATO MACCHINA CE/UL TRIF. 30A 400V- 1Pz	
09500024	MANUAL THERMOSTAT 135°C TRIP FREE GREEN DRIPPIN	TERMOSTATO R.MAN. 135°C TRIP FREE GOCCIOLATURAVE	
40200003	TEFLON GASKET HEATING ELEMENT 57x42xh3	GUARNIZ. TEFLON RESISTENZA 57x42xh3	
40700009	T FITTING 3/8 M-M-M 464	RACCORDO A T 3/8 M-M-M 464	
40702007	BRASS WASHER 20X7X8,5	RONDELLA OT 20x7x8,5	
48002001	2 GR EXCHANGER CONNECTION TUBE - ATHENA CL	TUBO COLL.SCAMBIATORI 2 GRUPPI MOD. ATHENACLASSI	
48002019	EXCHANGER CONNECTION TUBE - 3GR ATHENA CLAS	TUBO COLLEGAMENTO SCAMBIATORI -3 GR.MOD.ATHENA	
48002036	LIFT PIPE FOR HOT WATER ATHENA LEVA + L FITTING 3/8	TUBO PESCAGGIO ACQUA CALDA ATHENA LEVA + RACCO	
98030000001212	BOILER SET VA358 2GR LEVER	ASSIEME CALDAIA VA358 2GR. LEVA	
98030000001213	BOILER SET VA358 3GR LEVER	ASSIEME CALDAIA VA358 3GR. LEVA	
98030955	BOLIER PIPE - PRESSURE SWITCH VA358 LEVER	TUBO CALDAIA - PRESSOSTATO VA358 LEVA	
98240014100011	HEATING ELEMENT W/ NUTS 3000W	RESISTENZA COMPLETA DI DADI 3000W	
R98240014100011	KIT-HEATING ELEMENT W/ NUTS 3000W -1Pcs	KIT -RESISTENZA COMPLETA DI DADI 3000W-1PZ	
98240014100012	HEATING ELEMENT W/ NUTS 5000W	RESISTENZA COMPLETA DI DADI 5000W	
R98240014100012	KIT-HEATING ELEMENT W/ NUTS 5000W - 1Pcs	KIT-RESISTENZA COMPLETA DI DADI 5000W - 1Pz	

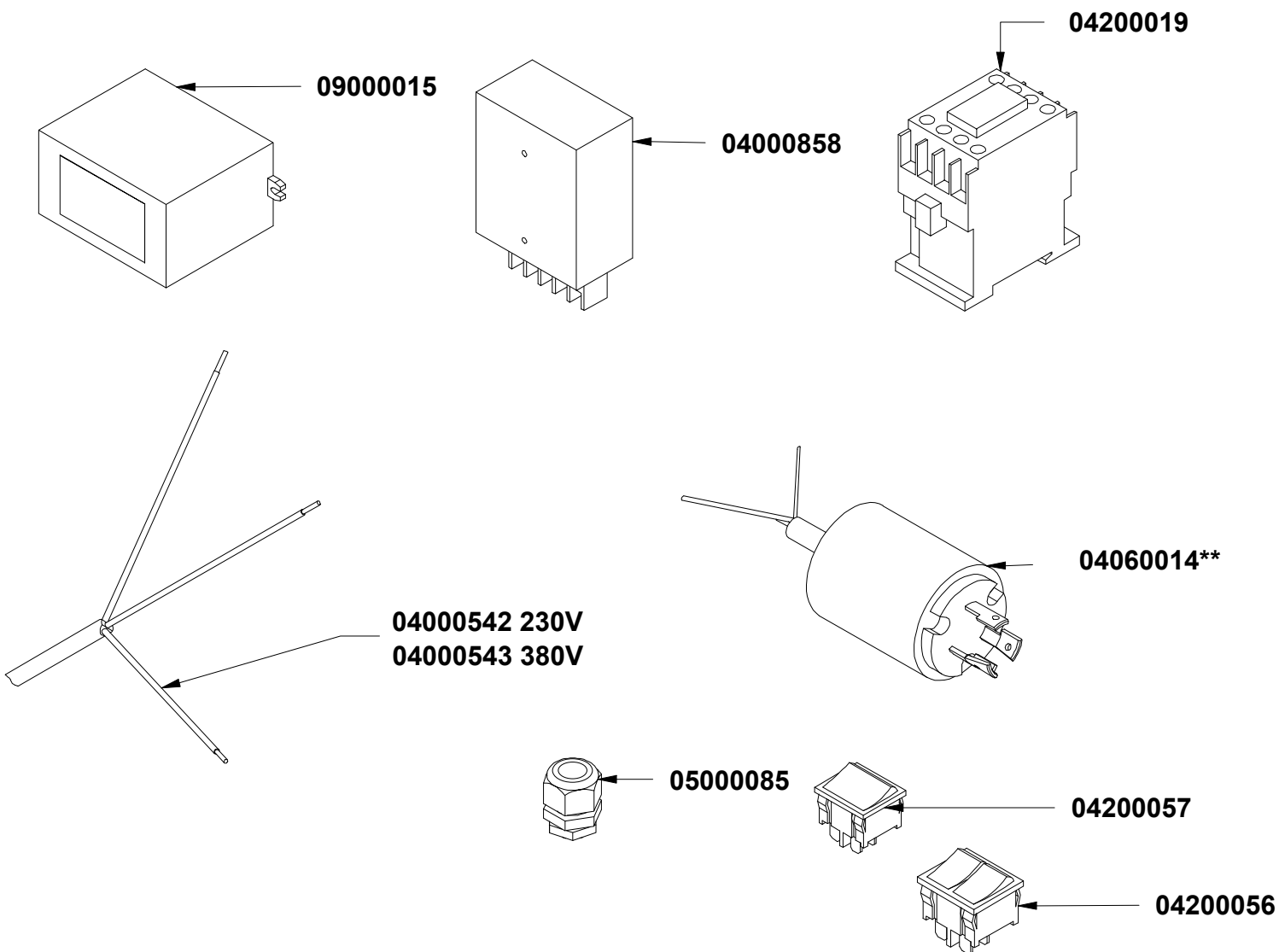


VERSIONE LEVA

LEVA VERSION

COMP. ELETTRICI ED ELETTRONICI

ELECTR. AND ELECTRICAL PARTS



CODE	DESCRIPTION	DESCRIZIONE
04200019	COMPLETE WIRING 2-3GR	CABLAGGIO COMPLETO 2-3GR
04001110	WIRING POWER TRANSF. LIGHTS	CABLAGGIO TRASFORMATORE LUCI
04000860	ELECTRICAL STRIP LED	IMPIANTO STRIP LED
04000340	BRIDGE TRANS. FROM 230V TO 380V	PONT. TRASF. DA 230V A 380V

**North America Market
Mercato Nord America



VERSIONE LEVA

LEVA VERSION

COMP. ELETTRICI ED ELETTRONICI

ELECTR. AND ELECTRICAL PARTS

COD.	DESCRIPTION	DESCRIZIONE	VAL.
04000340	BRIDGE TRANSFORMATION 380V TO 220V AURELIA-APPIA	PONTICELLO TRASF. ALIMENTAZ. DA 380V A 230VAURELIA	
04000542	ELECTRICAL CABLE 3x4 H07RN-F 2mt450/750V CB ICEL	CAVO ELETTR. 3x4 H07RN-F 2mt450/750V CB -> ICEL <-	
04000543	ELEC. CABLE 5x2,5 H07RN-F CB450/750V 2,5mt ICEL	CAVO ELETTR. 5x2,5 H07RN-F CB450/750V 2,5mt ICEL	
04000858	TRASF. LED RETRO IN:100/240V OUT:12V CE/UL 15W RS-	TRASF. LED RETRO IN:100/240V OUT:12V CE/UL 15WRS-15-	
R04000858	KIT-TRASF. REAR LED IN:100/240V OUT:12V CE/UL - 1Pcs	KIT-TRASF. LED RETRO IN:240V OUT:12V CE/UL 15W- 1Pz	
04000860	ELECTRICAL SYSTEM STRIP LED LOGO ADONIS	IMP. ELETTRICO STRIP LED LOGO ADONIS -(VA358 fino a 08	
04001110	POWER SUPPLY WIRING LIGHT TRANSFORMER VA358	CABLAGGIO ALIMENTAZ.TRASF. WIFI VA358(ex trasf. luci , fir	
04060014	CABLE+PLUG AWG3x12 SJO UL/CSA 30A 250V NEMAL6-30	CAVO ALIM. AWG3x12 SJO 90°C UL/CSA 2mt SPINA USADRI	
04200019	4POLE CONTACTOR 25A CE/UL 230V COIL	CONTATTORE QUADRIPOLORE 25A CE/UL BOBINA 230V	
R04200019	KIT-4POLE CONTACTOR 25A CE/UL 230V COIL - 1Pcs	KIT-CONTATTORE QUADRIPOLORE 25A CE/UL BOBINA 230V	
04200056	DBL POWER SWITCH 10A UL 22X19 AURELIA	INTERRUT. ACCENSIONE DOPPIO 10A UL 22x19 "AURELIA"	
04200057	DBL POWER BIPOLAR BIG SWITCH 10A UL 22X19 AURELIA	INTERRUT. ACCENSIONE BIPOL. GRANDE 10A UL 22x19AU	
R04200057	KIT-DBL POWER BIPOLAR BIG SWITCH 10A UL 22X19 - 15P	KIT-INTERRUT. ACCENSIONE BIPOL. GRANDE 10A UL 22x1-	
05000085	CABLEGLAND TEC-S M20 D.7-14 CON DADO P-CT M20 Es2	PRESSACAVO TEC-S M20 D.7-14 PLASTICA NERO	
09000015	AUTOLEVEL CONTROL BOARD 230V	CENTRALINA AUTOLIVELLO 230V	
09000015	AUTOLEVEL CONTROL BOARD 230V	CENTRALINA AUTOLIVELLO 230V	



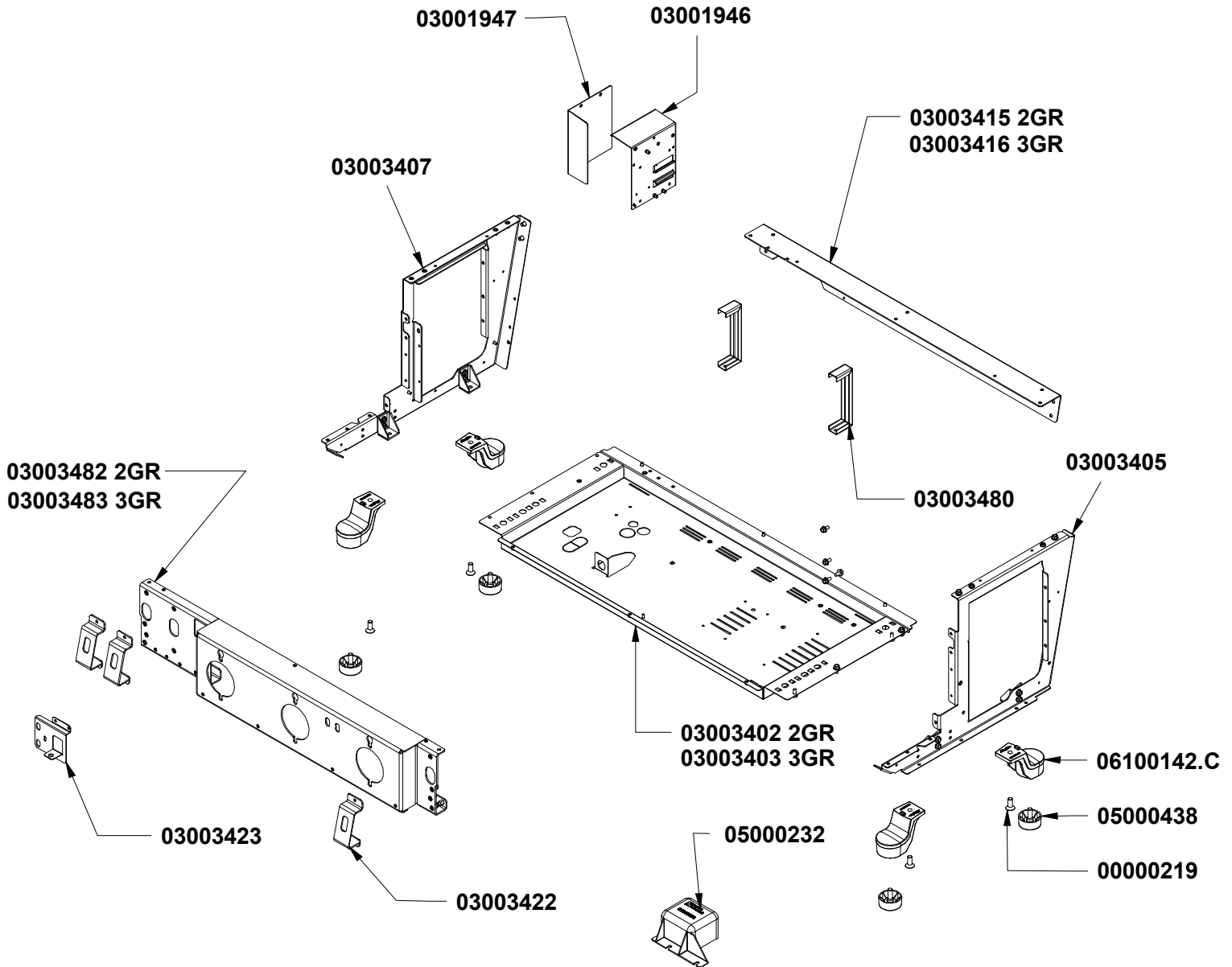
INSPIRED BY YOUR PASSION.

T.06



VERSIONE LEVA
LEVA VERSION

COMPONENTI TELAIO
FRAME PARTS





VERSIONE LEVA

LEVA VERSION

COMPONENTI TELAIO

FRAME PARTS

COD.	DESCRIPTION	DESCRIZIONE	VAL.
00000219	S/S HEX SOCKET CAP SCREW M10 x 25	VITE INOX M10x25 TSPEI	
03001946	SWITCHBOARD RELAY SUPPORT PLATE APPIA	LAMIERA SUPPORTO CENTRALINA E Teleruttore APPIA	
03001947	SWITCHBOARD LOCK SUPPORT CENTRAL PLATE APPIA	LAMIERA CHIUSURA SUPPORTO CENTRALINA APPIA	
03003402	MAIN BASE 2GR VA358	BASAMENTO PORTANTE 2GR. VA358	
03003403	MAIN BASE 3GR VA358	BASAMENTO PORTANTE 3GR. VA358	
03003405	RIGHT SIDE FRAME PANEL VA358	FIANCO TELAIO DX VA358	
03003407	LEFT SIDE FRAME PANEL VA358	FIANCO TELAIO SX VA358	
03003415	UPPER BACK SUPPORT 2GR VA358	LAMIERA SUPER. POSTERIORE 2GR. VA358	
03003416	UPPER BACK SUPPORT 3GR VA358	LAMIERA SUPER. POSTERIORE 3GR. VA358	
03003422	STEAM WAND SUPPORT PLATE VA358	LAMIERA SUPP. RUBINETTO VAPORE VA358	
03003423	SUPPORT PLATE PRESSURE GAUGE VA358	LAMIERA SUPP. MANOMETRO VA358	
03003480	BOILER SUPPORT VA358 LEVA	SUPPORTO CALDAIA VA358 LEVA	
03003482	GROUPHOLDER WALL 2GR VA358 LEVA	PARETE PORTAGRUPPI 2GR. VA358 LEVA	
03003483	GROUPHOLDER WALL 3GR VA358 LEVA	PARETE PORTAGRUPPI 3GR. VA358 LEVA	
05000232	SQUARE SWITCH COVER	COPRI INTERRUTTORE QUADRATO	
05000438	BICOMPONENT MACHINE FOOT D50 H24 M10MALE INSE	PIEDE MACCHINA BICOMPONENTE D.50 H=24 INSERTO M1	
06100142.C	CHROMED FOOT VA358	PIEDE VA358 CROMATO	



INSPIRED BY YOUR PASSION.

Simonelli Group s.p.a.
Via E. Betti, 1 - 62020 Belforte
del Chienti - (MC) Italy
Tel. +39 0733.950243 - Fax +39
0733.850247
e-mail: info@victoriaarduino.com
com www.victoriaarduino.com