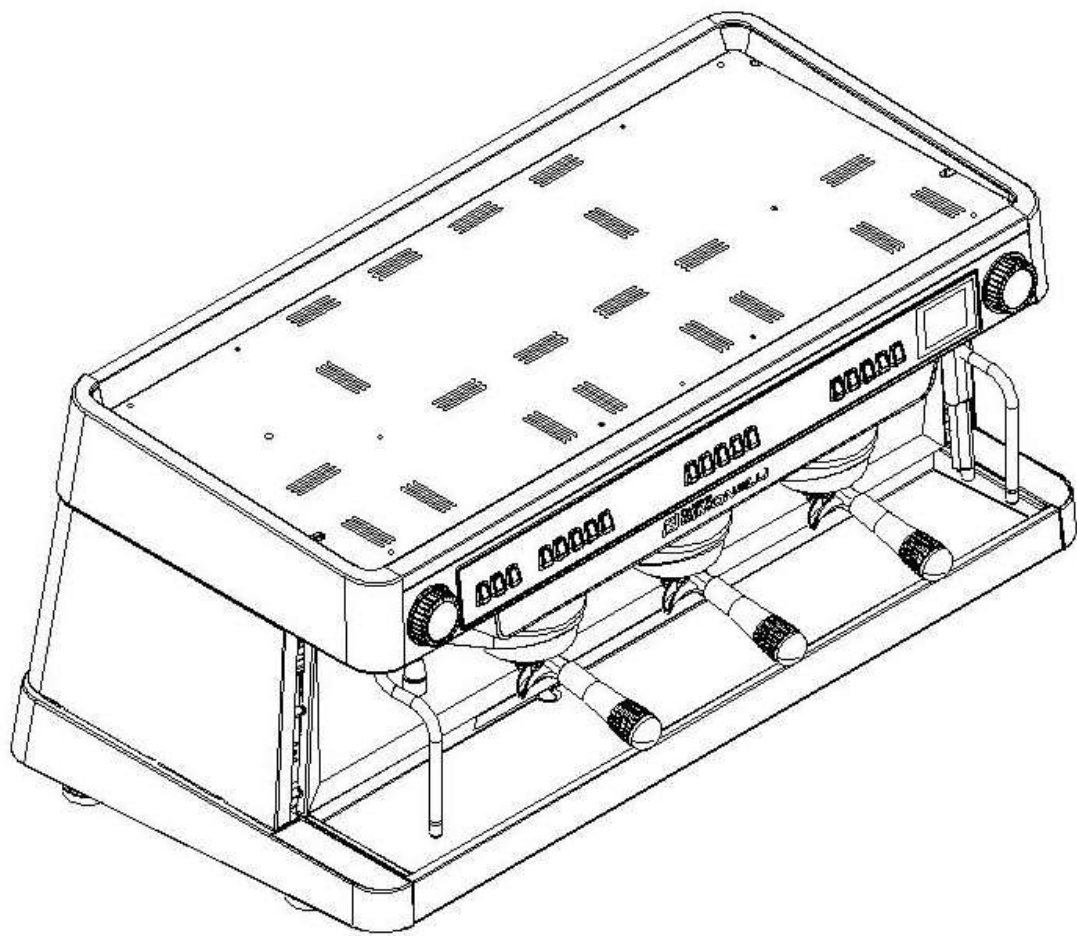


SPARE PARTS BOOK

NUOVA AURELIA



VOL XT - SEM XT - VOL - SEM - UX

18/09/2025

- T.01 **CABINET PARTS**
COMPONENTI CARENA
- T.02 **CONTROL PANEL**
INVOLUCRO COMANDI
- T.03 **POURING GROUP**
GRUPPO EROGAZIONE
- T.04 **HYDRAULIC PARTS**
COMPONENTI IDRAULICI
- T.05 **STEAM WAND**
LANCE VAPORE
- T.06 **HOT WATER PIPES**
TUBI ACQUA CALDA
- T.07 **BOILERS**
CALDAIE
- T.08 **FRAME**
TELAIO
- T.09 **ELECTRIC PARTS**
COMPONENTI ELETTRICI
- T.10 **WIRING**
CABLAGGIO

» LEGEND :

THE CODES WRITTEN IN BOLD REFER TO THE COMPONENTS
EMPLOYED CURRENTLY.

THE CODES USED BEFORE ARE WRITTEN IN CORSIVE WITH INDICATED,
ON THE SIDE, THE END OF VALIDITY DATE.

EXAMPLE:

03001531 - 01/09/2007

03001531

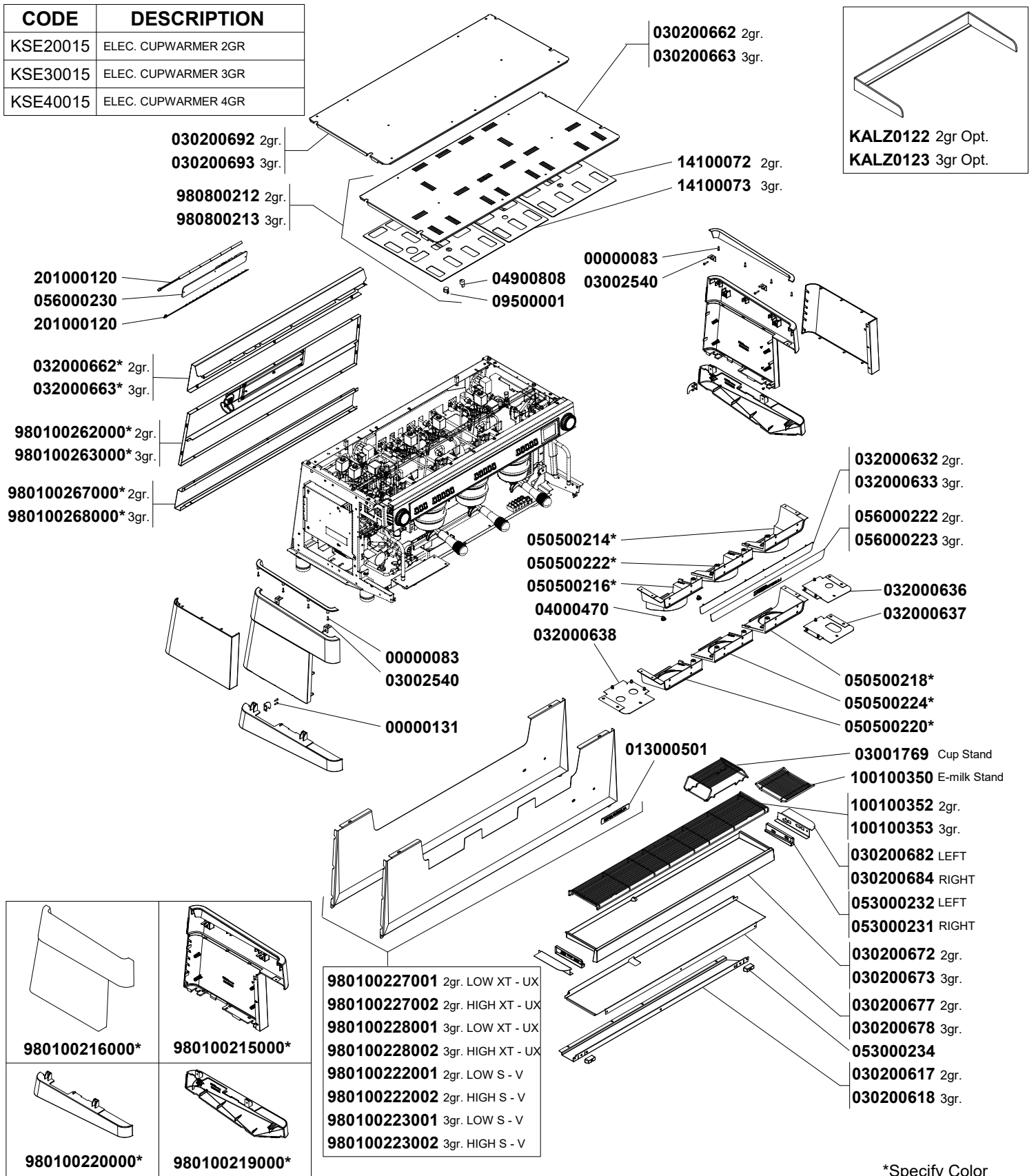
NUOVA AURELIA

S.XT-V.XT-SEM-VOL-UX

COMPONENTI CARENA

CABINET PARTS

CODE	DESCRIPTION
KSE20015	ELEC. CUPWARMER 2GR
KSE30015	ELEC. CUPWARMER 3GR
KSE40015	ELEC. CUPWARMER 4GR



*Specify Color

T.01

COD.	DESCRIPTION	DESCRIZIONE	VAL.
00000083	CROSS HEAD CAP SELF-TAPPING SCREW 3,9x16	VITE AUTOF 3,9x16 TC/T.CR.	
00000131	SS SELF-TAPPING CROSS HEAD CAP SCREW 3.9x16	VITE AUTOF INOX 3,9x16 TC TCR	
013000501	FRONT LOGO NUOVA AURELIA	LOGO FRONTALE NUOVA AURELIA ADESIVO	
03001769	S/S RAISED CUP STAND	SUPP. TAZZINE INOX	
03002540	L SIDE FRAME FITTING PLATE AURELIA II	LAMIERA L FISSAGGIO FIANCO AURELIA II	
030200617	FRONT INF. FRAME 2GR	CARENA ANTERIORE INF. 2GR. AWR	
030200618	FRONT INF. FRAME 3GR	CARENA ANTERIORE INF. 3GR. AWR	
030200662	CUP HOLDER TRAY WITH OPENINGS 2GR.	PIATTO PORTATAZZE CON APERTURE 2GR. AWR	
030200663	CUP HOLDER TRAY WITH OPENINGS 3GR.	PIATTO PORTATAZZE CON APERTURE 3GR. AWR	
030200672	DRIP TRAY 2GR	PIATTO RACCOGLIACQUA 2GR. AWR	
030200673	DRIP TRAY 3GR	PIATTO RACCOGLIACQUA 3GR. AWR	
030200677	SAFETY COVER WORKTOP 2GR	CHIUSURA SICUR. PIANO LAVORO 2GR. AWR	
030200678	SAFETY COVER WORKTOP 3GR	CHIUSURA SICUR. PIANO LAVORO 3GR. AWR	
030200682	LEFT PROTECTION SUPPORT DRAIN TRAY	PROTEZIONE PIATTO SX AWR	
030200684	RIGHT PROTECTION SUPPORT DRAIN TRAY	PROTEZIONE PIATTO DX AWR	
030200692	CUPHOLDER PLATE CLOSED 2GR	PIATTO PORTATAZZE CHIUSO 2GR. AWR	
030200693	CUPHOLDER PLATE CLOSED 3GR	PIATTO PORTATAZZE CHIUSO 3GR. AWR	
032000632	FRONT LUMINOUS SUPPORT 2GR	SUPPORTO LUMINOSA FRONT. 2GR. AWR	
032000633	FRONT LUMINOUS SUPPORT 3GR	SUPPORTO LUMINOSA FRONT. 3GR. AWR	
032000636	RIGHT LOCK GROUP	CHIUSURA DX GRUPPI AWR	
032000637	RIGHT LOCK GROUP + SLOT	CHIUSURA DX GRUPPI AWR CON ASOLA	
032000638	LEFT LOCK GROUP	CHIUSURA SX GRUPPI AWR	
032000662.BV	BACK SUP PANEL 2GR WHITE PAINTED	CARENA RETRO SUP. 2GR. AWR BIANCO VERN.	
032000662.FMGV	BACK SUP PANEL 2GR GREY PAINTED	CARENA RETRO SUP. 2GR. AWR ALL.GRIGIASTRO VERN.(
032000662.NOV	BACK SUP PANEL 2GR MTTBLK PAINTED	CARENA RETRO SUP. 2GR. AWR NERO OPACO VERN.	
032000662.RV	BACK SUP PANEL 2GR RED PAINTED	CARENA RETRO SUP. 2GR. AWR ROSSO VERN.	
032000663.BV	BACK SUP PANEL 3GR WHITE PAINTED	CARENA RETRO SUP. 3GR. AWR BIANCO VERN.	
032000663.FMGV	BACK SUP PANEL 3GR GREY PAINTED	CARENA RETRO SUP. 3GR. AWR ALL.GRIGIASTRO VERN.(
032000663.NOV	BACK SUP PANEL 3GR BLACK PAINTED	CARENA RETRO SUP. 3GR. AWR NERO OPACO VERN.	
032000663.RV	BACK SUP PANEL 3GR RED PAINTED	CARENA RETRO SUP. 3GR. AWR ROSSO VERN.	
04000470	12VDC LED SPOT AURELIA WAVE	LED AURELIA18 12V	
04900808	CUPWARMER TEMPERATURE PROBE AURELIA	SONDA TEMPERATURA SCALDATAZZE AURELIA	
050500214.BV	RIGHT LOW GROUP COVER WHITE PAINTED	COPRIGRUPPO GR. BASSO DX AWR BIANCO VERN.	
050500214.FMGV	RIGHT LOW GROUP COVER GREY PAINTED	COPRIGRUPPO GR. BASSO DX AWR ALL.GRIGIASTRO VERN.	
050500214.NOV	RIGHT LOW GROUP COVER MTTBLK PAINTED	COPRIGRUPPO GR. BASSO DX AWR NERO OPACO VERN.	
050500214.RV	RIGHT LOW GROUP COVER RED PAINTED	COPRIGRUPPO GR. BASSO DX AWR ROSSO VERN.	
050500216.BV	LEFT LOW GROUP COVER WHITE PAINTED	COPRIGRUPPO GR. BASSO SX AWR BIANCO VERN.	
050500216.FMGV	LEFT LOW GROUP COVER GREY PAINTED	COPRIGRUPPO GR. BASSO SX AWR ALL.GRIGIASTRO VERN.	
050500216.NOV	LEFT LOW GROUP COVER MTTBLK PAINTED	COPRIGRUPPO GR. BASSO SX AWR NERO OPACO VERN.	
050500216.RV	LEFT LOW GROUP COVER RED PAINTED	COPRIGRUPPO GR. BASSO SX AWR ROSSO VERN.	
050500218.BV	RIGHT HIGH GROUP COVER WHITE PAINTED	COPRIGRUPPO GR. ALTO DX AWR BIANCO VERN.	
050500218.FMGV	RIGHT HIGH GROUP COVER GREY PAINTED	COPRIGRUPPO GR. ALTO DX AWR ALL.GRIGIASTRO VERN.	
050500218.NOV	RIGHT HIGH GROUP COVER MTTBLK PAINTED	COPRIGRUPPO GR. ALTO DX AWR NERO OPACO VERN.	
050500218.RV	RIGHT HIGH GROUP COVER RED PAINTED	COPRIGRUPPO GR. ALTO DX AWR ROSSO VERN.	
050500220.BV	LEFT HIGH GROUP COVER WHITE PAINTED	COPRIGRUPPO GR. ALTO SX AWR BIANCO VERN.	
050500220.FMGV	LEFT HIGH GROUP COVER GREY PAINTED	COPRIGRUPPO GR. ALTO SX AWR ALL.GRIGIASTRO VERN.	
050500220.NOV	LEFT HIGH GROUP COVER MTTBLK PAINTED	COPRIGRUPPO GR. ALTO SX AWR NERO OPACO VERN.	
050500220.RV	LEFT HIGH GROUP COVER RED PAINTED	COPRIGRUPPO GR. ALTO SX AWR ROSSO VERN.	
050500222.BV	MIDDLE LOW GROUP COVER WHITE PAINTED	COPRIGRUPPO GR. BASSO CENTR. AWR BIANCO VERN.	
050500222.FMGV	MIDDLE LOW GROUP COVER GREY PAINTED	COPRIGRUPPO GR. BASSO CENTR. AWR ALL.GRIGIASTRO	

COD.	DESCRIPTION	DESCRIZIONE	VAL.
050500222.NOV	MIDDLE LOW GROUP COVER MTTBLK PAINTED	COPRIGRUPPO GR. BASSO CENTR. AWR NERO OPACO V	
050500222.RV	MIDDLE LOW GROUP COVER RED PAINTED	COPRIGRUPPO GR. BASSO CENTR. AWR ROSSO VERN.	
050500224.BV	MIDDLE HIGH GROUP COVER WHITE PAINTED	COPRIGRUPPO GR. ALTO CENTR. AWR BIANCO VERN.	
050500224.FMGV	MIDDLE HIGH GROUP COVER GREY PAINTED	COPRIGRUPPO GR. ALTO CENTR. AWR ALL.GRIGIASTROV	
050500224.NOV	MIDDLE HIGH GROUP COVER MTTBLK PAINTED	COPRIGRUPPO GR. ALTO CENTR. AWR NERO OPACO VEF	
050500224.RV	MIDDLE HIGH GROUP COVER RED PAINTED	COPRIGRUPPO GR. ALTO CENTR. AWR ROSSO VERN.	
053000231	RIGHT SLIDE WATER DRIP TRAY	SLITTA DX PIATTO RACCOGLI ACQUA AWR	
053000232	LEFT SLIDE WATER DRIP TRAY	SLITTA SX PIATTO RACCOGLI ACQUA AWR	
053000234	ANTI-LIFTING PLUG	TASSELLO ANTISOLLEVAMENTO PIATTO AWR	
056000222	FRONT LUMINOUS 2GR	LUMINOSA FRONTALE 2GR. AWR	
056000223	FRONT LUMINOUS 3GR	LUMINOSA FRONTALE 3GR. AWR	
056000230	LUMINOUS WRITING "NUOVA SIMONELLI" + PANEL	SCRITTA LUMINOSA "NUOVA SIMONELLI" CONPANNELLO	
09500001	AUTOMATIC THERMOSTAT 98°C BLUE DRIPPING	TERMOSTATO RIARMO AUTOM 98C GOCCIOLATURA BLU	
100100350	MILK STAND AWR	ALZATINA A FILO PER LATTE AWR	
100100352	STRAND NET WORKTOP 2GR	RETINA A FILO PIANO LAVORO 2GR. AWR	
100100353	STRAND NET WORKTOP 3GR	RETINA A FILO PIANO LAVORO 3GR. AWR	
14100072	ADHESIVE SILICONE HEATING ELEMENT - SIDE CUPWAR	RESISTENZA ADESIVA IN SILICONESCALDATAZZE LATER.	
14100073	ADHESIVE SILICONE HEATING ELEMENT - CENTRAL CUP	RESISTENZA ADESIVA IN SILICONE SCALDATAZZE CENTR	
201000120	STRIP LED LOGO BACK AWR	STRIP LED LOGO POSTERIORE AWR	
980100215001	RIGHT SIDE PANEL SET MTTBLK PAINTED	ASS. FIANCO DX AWR NERO OPACO	
980100215002	RIGHT SIDE PANEL SET WHITE PAINTED	ASS. FIANCO DX AWR BIANCO	
980100215003	RIGHT SIDE PANEL SET RED PAINTED	ASS. FIANCO DX AWR ROSSO	
980100215004	RIGHT SIDE PANEL SET GREY PAINTED	ASS. FIANCO DX AWR GRIGIO	
980100216001	LEFT SIDE PANEL SET MTTBLK PAINTED	ASS. FIANCO SX AWR NERO OPACO	
980100216002	LEFT SIDE PANEL SET WHITE PAINTED	ASS. FIANCO SX AWR BIANCO	
980100216003	LEFT SIDE PANEL SET RED PAINTED	ASS. FIANCO SX AWR ROSSO	
980100216004	LEFT SIDE PANEL SET GREY PAINTED	ASS. FIANCO SX AWR GRIGIO	
980100219001	RIGHT INF. SIDE PANEL SET MATTBLK	ASS. FIANCO INF. DX AWR NERO OPACO	
980100219002	RIGHT INF. SIDE PANEL SET WHITE	ASS. FIANCO INF. DX AWR BIANCO	
980100219003	RIGHT INF. SIDE PANEL SET RED	ASS. FIANCO INF. DX AWR ROSSO	
980100219004	RIGHT INF. SIDE PANEL SET GREY	ASS. FIANCO INF. DX AWR GRIGIO	
980100220001	LEFT INF. SIDE PANEL SET MATTBLK	ASS. FIANCO INF. SX AWR NERO OPACO	
980100220002	LEFT INF. SIDE PANEL SET WHITE	ASS. FIANCO INF. SX AWR BIANCO	
980100220003	LEFT INF. SIDE PANEL SET RED	ASS. FIANCO INF. SX AWR ROSSO	
980100220004	LEFT INF. SIDE PANEL SET GREY	ASS. FIANCO INF. SX AWR GRIGIO	
980100222001	FRONT LOW PANEL SET 2GR	ASS. PARETE FRONT. BASSI 2GR. AWR S-V	
980100222002	FRONT LOW HIGH PANEL SET 2GR	ASS. PARETE FRONT. ALTI 2GR. AWR S-V	
980100223001	FRONT LOW PANEL SET 3GR	ASS. PARETE FRONT. BASSI 3GR. AWR S-V	
980100223002	FRONT HIGH PANEL SET 3GR	ASS. PARETE FRONT. ALTI 3GR. AWR S-V	
980100227001	FRONT LOW PANEL SET 2GR	ASS. PARETE FRONT. BASSI 2GR. AWR XT-UX-MP	
980100227002	FRONT HIGH PANEL SET 2GR	ASS. PARETE FRONT. ALTI 2GR. AWR XT-UX-MP	
980100228001	FRONT LOW PANEL SET 3GR	ASS. PARETE FRONT. BASSI 3GR. AWR XT-UX-MP	
980100228002	FRONT HIGH PANEL SET 3GR	ASS. PARETE FRONT. ALTI 3GR. AWR XT-UX-MP	
980100262001	RETRO MIDDLE FRAME SET 2GR STEELUX	ASS. CARENA RETRO CENTR. 2GR. AWR STEELUX	
980100262002	RETRO MIDDLE FRAME SET 2GR STEELUX + LIGHT	ASS. CARENA RETRO CENTR. 2GR. AWR STEELUX + LUCI	
980100262003	RETRO MIDDLE FRAME SET 2GR GREY	ASS. CARENA RETRO CENTR. 2GR. AWR GRIGIO	
980100262004	RETRO MIDDLE FRAME SET 2GR GREY + LIGHT	ASS. CARENA RETRO CENTR. 2GR. AWR GRIGIO + LUCI	
980100263001	RETRO MIDDLE FRAME SET 3GR STEELUX	ASS. CARENA RETRO CENTR. 3GR. AWR STEELUX	
980100263002	RETRO MIDDLE FRAME SET 3GR STEELUX + LIGHT	ASS. CARENA RETRO CENTR. 3GR. AWR STEELUX + LUCI	
980100263003	RETRO MIDDLE FRAME SET 3GR GREY	ASS. CARENA RETRO CENTR. 3GR. AWR GRIGIO	

NUOVA AURELIA

S.XT-V.XT-SEM-VOL-UX

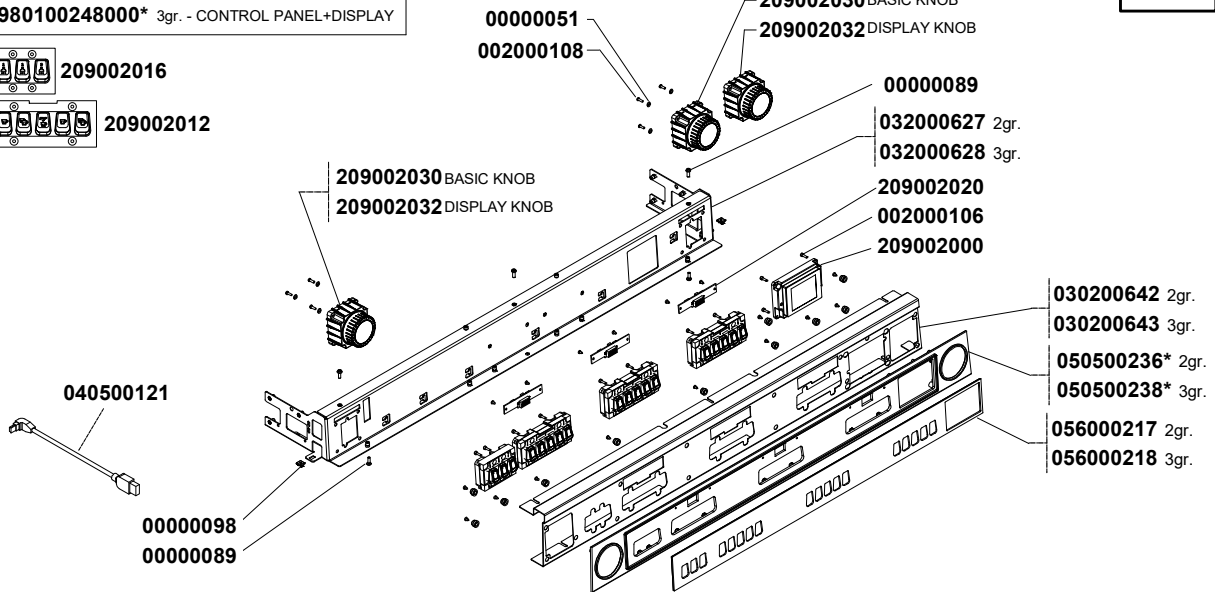
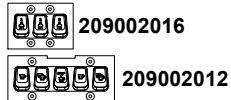
COMPONENTI CARENA

CABINET PARTS

COD.	DESCRIPTION	DESCRIZIONE	VAL.
980100263004	RETRO MIDDLE FRAME SET 3GR GREY + LIGHT	ASS. CARENA RETRO CENTR. 3GR. AWR GRIGIO + LUCI	
980100267001	RETRO INF. FRAME SET 2GR MATTBLK	ASS. CARENA RETRO INFER. 2GR. AWR NERO OPACO	
980100267002	RETRO INF. FRAME SET 2GR WHITE	ASS. CARENA RETRO INFER. 2GR. AWR BIANCO	
980100267003	RETRO INF. FRAME SET 2GR RED	ASS. CARENA RETRO INFER. 2GR. AWR ROSSO	
980100267004	RETRO INF. FRAME SET 2GR GREY	ASS. CARENA RETRO INFER. 2GR. AWR GRIGIO	
980100268001	RETRO INF. FRAME SET 3GR MATTBLK	ASS. CARENA RETRO INFER. 3GR. AWR NERO OPACO	
980100268002	RETRO INF. FRAME SET 3GR WHITE	ASS. CARENA RETRO INFER. 3GR. AWR BIANCO	
980100268003	RETRO INF. FRAME SET 3GR RED	ASS. CARENA RETRO INFER. 3GR. AWR ROSSO	
980100268004	RETRO INF. FRAME SET 3GR GREY	ASS. CARENA RETRO INFER. 3GR. AWR GRIGIO	
KALZ0122	UPPER CUPHOLDER KIT NUOVA AURELIA 2GR	KIT ALZATINA POGGIATAZZE SUPERIORE NUOVA AURELIA 2GR	
KALZ0123	UPPER CUPHOLDER KIT NUOVA AURELIA 3GR	KIT ALZATINA POGGIATAZZE SUPERIORE NUOVA AURELIA 3GR	
KSE20015	ELECTRICAL CUPWARMER NUOVA AURELIA 2GR	SCALDATAZZE ELETTRICO NUOVA AURELIA 2GR	
KSE30015	ELECTRICAL CUPWARMER NUOVA AURELIA 3GR	SCALDATAZZE ELETTRICO NUOVA AURELIA 3GR	
KSE40015	ELECTRICAL CUPWARMER NUOVA AURELIA 4GR	SCALDATAZZE ELETTRICO NUOVA AURELIA 4GR	

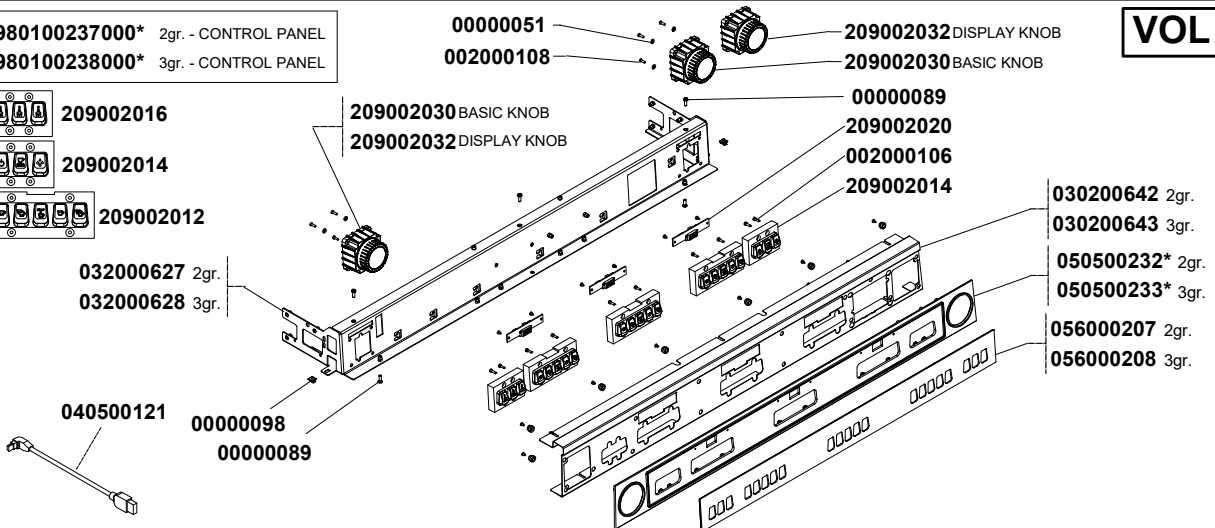
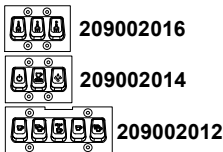
XT

980100247000* 2gr. - CONTROL PANEL+DISPLAY
980100248000* 3gr. - CONTROL PANEL+DISPLAY



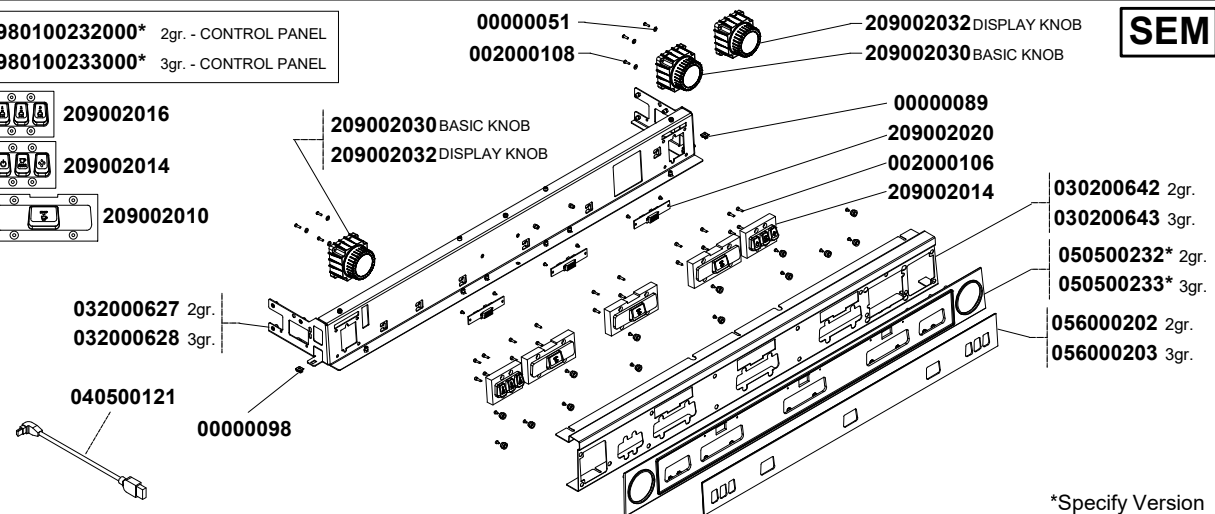
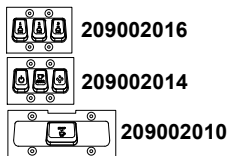
VOL

980100237000* 2gr. - CONTROL PANEL
980100238000* 3gr. - CONTROL PANEL



SEM

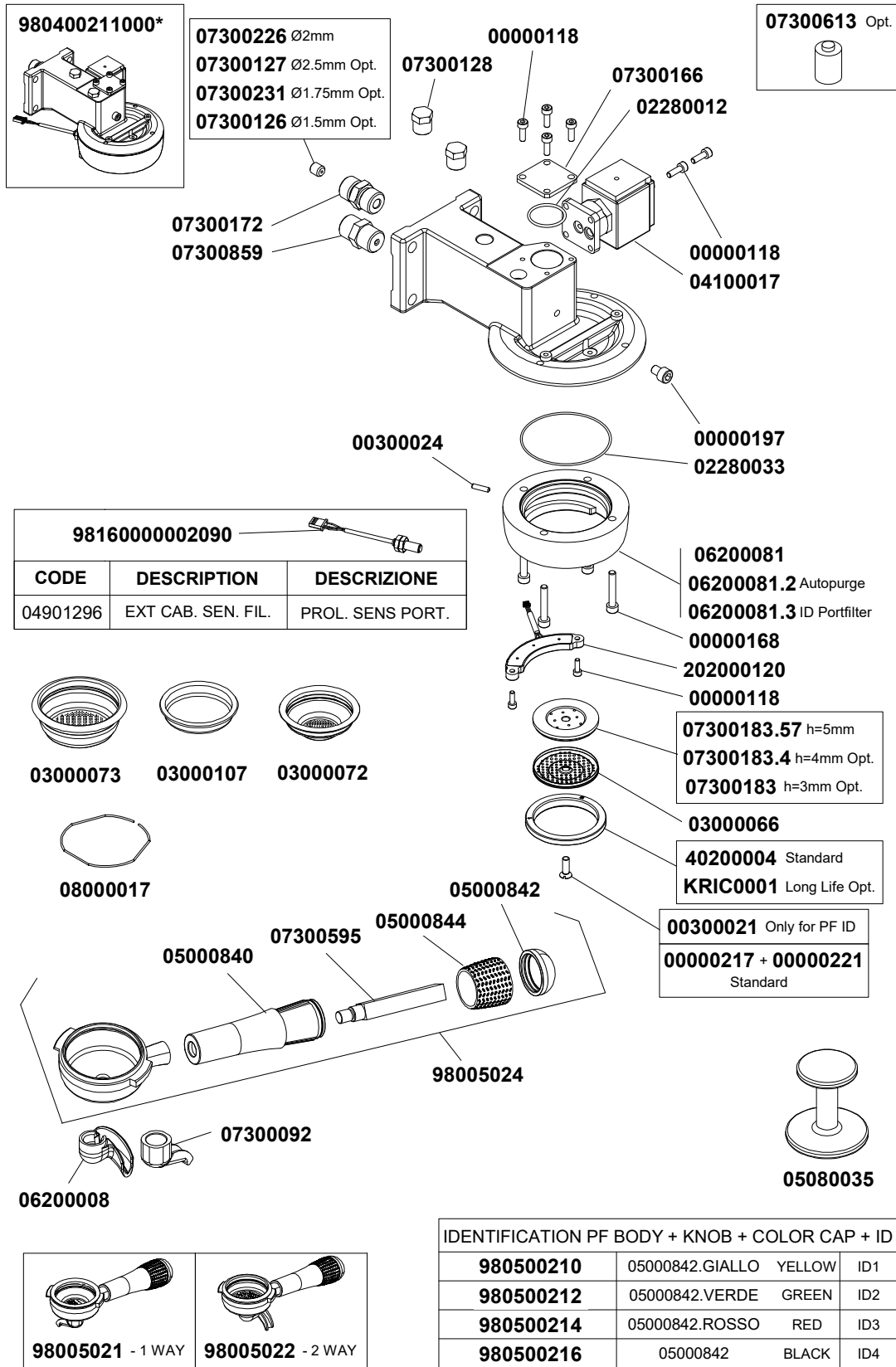
980100232000* 2gr. - CONTROL PANEL
980100233000* 3gr. - CONTROL PANEL



*Specify Version

T.02

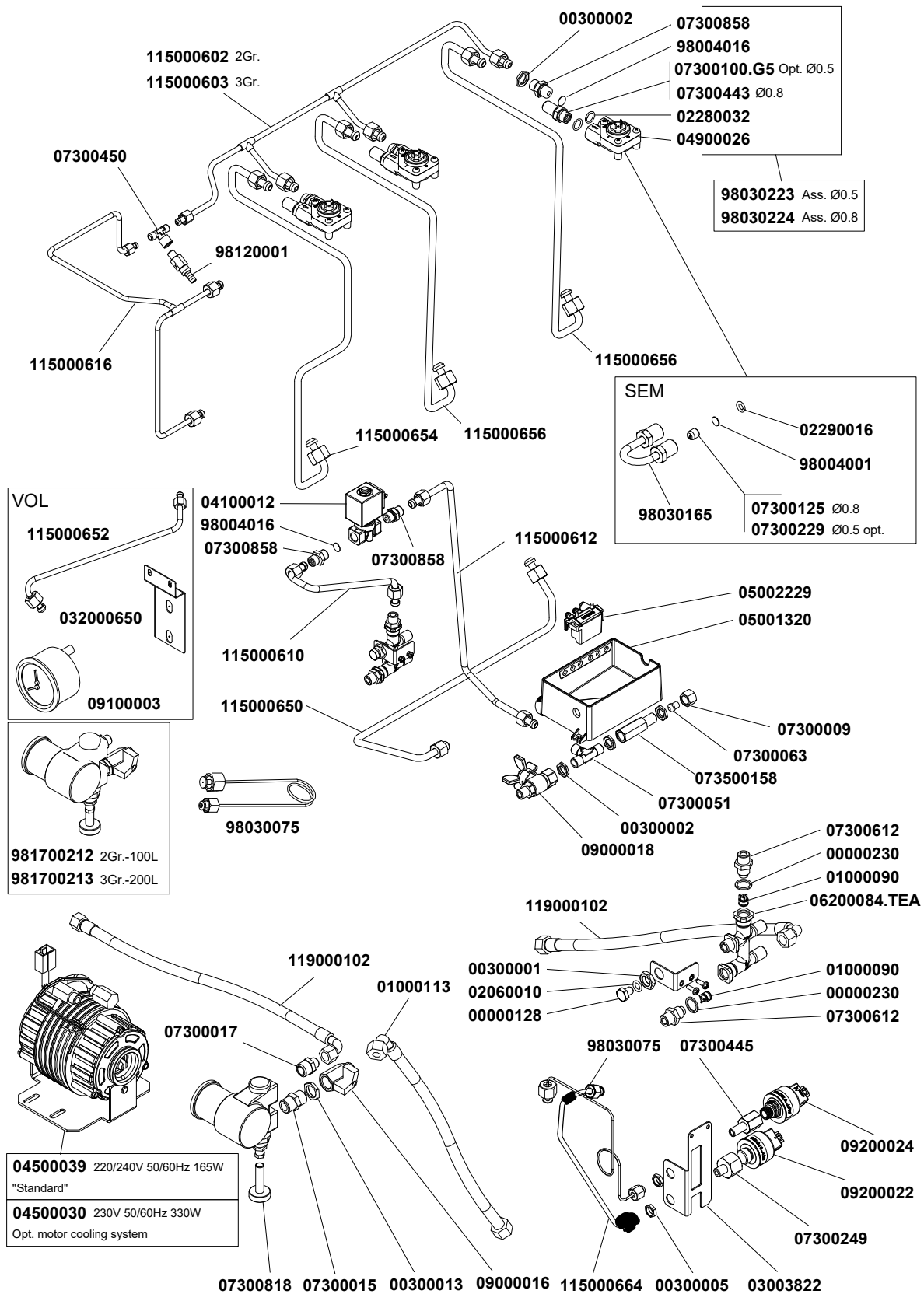
COD.	DESCRIPTION	DESCRIZIONE	VAL.
00000051	WASHER 4x8 UNI 6592	RONDELLA AQ M4 D4x8 UNI 6592 ZINC.	
00000089	S/S CROSSHEAD CAP SCREW M4x12 DIN7985	VITE INOX M4x12 TC TCR DIN7985	
00000098	CAGE NUT M4 T424 SPESS. 1,7-2,3	DADO IN GABBIA M 4 T424 x SPESS. 1,7-2,3	
002000106	GALV SCREW M3x10 TCEI	VITE AQ M3x10 TCEI ZINC.	
002000108	GALV SELF-TAPPING SCREW 3x10 TC TCR	VITE AUTOF 3x10 TC TCR SENZA PUNTA ZINC.	
030200642	SUPPORT PANEL DISPLAY 2GR	SUPP. PANNELLO COMANDI 2GR. AWR	
030200643	SUPPORT PANEL DISPLAY 3GR	SUPP. PANNELLO COMANDI 3GR. AWR	
032000627	BOARD PANEL SUPPORT 2GR	SUPPORTO COMANDI 2GR. AWR	
032000628	BOARD PANEL SUPPORT 3GR	SUPPORTO COMANDI 3GR. AWR	
040500121	USB A (F) - USB C (M) 90° CABLE L=300MM (ORIZ)	CAVO USB A (F) - USB C (M) 90° ORIZZONTALE L=300mm	
050500236.BV	BOARD PANEL SUPPORT+DSP 2GR WHITE PAINT.	PANNELLO COMANDI+DISPLAY 2GR. AWR BIANCO VERN.	
050500236.FMGV	BOARD PANEL SUPPORT+DSP 2GR GREY PAINT.	PANNELLO COMANDI+DISPLAY 2GR. AWR ALL.GRIGIASTR	
050500236.NOV	BOARD PANEL SUPPORT+DSP 2GR MTTBLK PAINT.	PANNELLO COMANDI+DISPLAY 2GR. AWR NERO OPACO V	
050500236.RV	BOARD PANEL SUPPORT+DSP 2GR RED PAINT.	PANNELLO COMANDI+DISPLAY 2GR. AWR ROSSO VERN.	
050500238.BV	BOARD PANEL SUPPORT+DSP 3GR WHITE PAINT.	PANNELLO COMANDI+DISPLAY 3GR. AWR BIANCO VERN.	
050500238.FMGV	BOARD PANEL SUPPORT+DSP 3GR GREY PAINT.	PANNELLO COMANDI+DISPLAY 3GR. AWR ALL.GRIGIASTR	
050500238.NOV	BOARD PANEL SUPPORT+DSP 3GR MTTBLK PAINT.	PANNELLO COMANDI+DISPLAY 3GR. AWR NERO OPACO V	
050500238.RV	BOARD PANEL SUPPORT+DSP 3GR RED PAINT.	PANNELLO COMANDI+DISPLAY 3GR. AWR ROSSO VERN.	
056000202	KEYPAD PANEL 2GR SEM	PANNELLO PULSANTIERA 2GR. AWR SEM	
056000203	KEYPAD PANEL 3GR SEM	PANNELLO PULSANTIERA 3GR. AWR SEM	
056000207	KEYPAD PANEL 2GR VOL	PANNELLO PULSANTIERA 2GR. AWR VOL	
056000208	KEYPAD PANEL 3GR VOL	PANNELLO PULSANTIERA 3GR. AWR VOL	
056000217	KEYPAD PANEL 2GR VOL+DSP	PANNELLO PULSANTIERA 2GR. AWR VOL+DISPLAY	
056000218	KEYPAD PANEL 2GR VOL+DSP	PANNELLO PULSANTIERA 3GR. AWR VOL+DISPLAY	
209002000	DISPLAY SERVICE BOARD	SCHEDA DISPLAY SERVIZI AWR	
209002010	1KEY DISPENSING KEYPAD	MODULO SCHEDA EROGAZ. 1 TASTO AWR	
209002012	5KEY DISPENSING KEYPAD	MODULO SCHEDA EROGAZ. 5 TASTI AWR	
209002014	3 KEY ON/OFF SERVICE KEYPAD MODULE	MODULO SCHEDA SERVIZI 3 TASTI ON/OFF AWR	
209002016	3 KEY WATER SERVICE KEYPAD MODULE	MODULO SCHEDA SERVIZI 3 TASTI ACQUA AWR	
209002020	DISPLAY BOARD DISPENSING GROUP	SCHEDA DISPLAY GRUPPO EROGAZ. AWR	
209002030	BASIC STEAM KNOB AWR	KNOB VAPORE BASE AWR	
209002032	DISPLAY STEAM KNOB AWR	KNOB VAPORE DISPLAY AWR	



*Specify Version

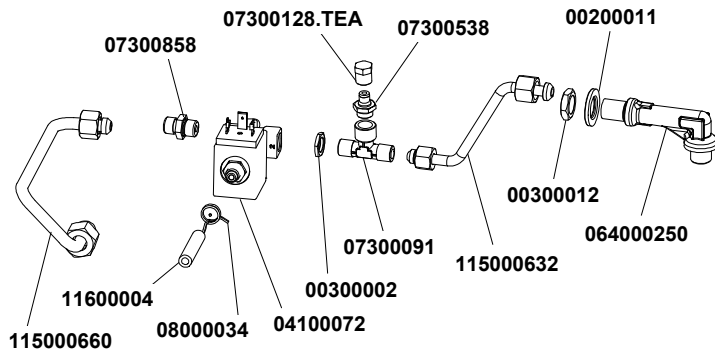
COD.	DESCRIPTION	DESCRIZIONE	VAL.
00000118	S/SHEX SOCKET CAP SCREW M4x12 5931	VITE INOX M4x12 TCEI 5931	
00000168	S/S HEXAGON SOCKET HEAD SCREW M6x35 UNI 5931	VITE INOX M6x35 TCEI 5931	
00000197	S/S HEX SOCKET CAP SCREW M6x8 ISO 4762	VITE INOX M6x8 TCEI ISO 4762	
00000217	S/S SCREW TE CH9 + TC LT=20 FOR SHOWER	VITE INOX M6 LT=20 TE CH9 + TCx DOCCIA	
00000221	S/S SECURITY FLAT WASHER INOX M6 CONICAL	RONDELLA DI SICUREZZA INOX M6 SCHNORR CONICA	
00300021	S/S SLT COUNTERSUNK SCREW M6X18 DIN963	VITE INOX M6x18 TSP TC DIN963	
00300024	S/S GRUB SCREW M4X16 5923	GRANO INOX M4x16 5923 PUNTA PIANA	
02280012	GASKET O RING 2093 D.27 EP851	GUARN. OR 2093 D.27 VITON DF 801	
02280033	GASKET O RING 75,92x1,78 NBR XP70	GUARN. OR 75,92x1,78 NBR XP70 2300	
03000066	S/S SHOWER 56X5,5X6 WELDED	DOCCIA INOX 56x5,5x 6 SALDATA Aisi304	
03000072	FILTER ONE COFFEE HIGH 7gr	FILTRO 1 CAFFE' ALTO 7gr.	
03000073	FILTER TWO COFFEE HIGH 14gr	FILTRO 2 CAFFE' ALTO 14gr.	
03000107	BLIND FILTER	FILTRO CIECO	
04100017	3WAY SOLENOID DIS BASE 1/8220-230V50/60Hzz F1.5 CE	E.V. NC 3VIE BASETTA SCAR. 1/8220-230V 50/60HzRUBY F	
04901296	EXT CABLE INDUCTIVE SENSOR PORTAFILTER AURELIA	PROLUNGA SENSORE INDUTTIVO "PRESENZA PORTAFILT	
05000840	FILTER HOLDER KNOB 2003 BLACK	MANOPOLA PORTAFILTRO 2003 NERO	
05000842	FILTER HOLDER KNOB LOCK 2003	CHIUSURA MANOPOLA PORTAFILTRO 2003	
05000842	FILTER HOLDER KNOB LOCK 2003	CHIUSURA MANOPOLA PORTAFILTRO 2003	
05000842.GIALLO	FILTER HOLDER KNOB LOCK 2003 YELLOW	CHIUSURA MANOPOLA PORTAFILTRO 2003 COLORE GIAL	
05000842.ROSSO	FILTER HOLDER KNOB LOCK 2003 RED	CHIUSURA MANOPOLA PORTAFILTRO 2003 COLORE ROS	
05000842.VERDE	FILTER HOLDER KNOB LOCK 2003 GREEN	CHIUSURA MANOPOLA PORTAFILTRO 2003 COLORE VERI	
05000844	BLACK RUBBER COVER FILTER HOLDER KNOB	RIVESTIMENTO GOMMA NERA MANOPOLA PORTAFILTRO	
05080035	COFFEE TAMPER ABS BLACK	PRESSA CAFFE' ABS NERO	
06200008	2WAY OPEN NOZZLE	BECCO DUE VIE OPEN	
06200081.2	GR RING OR CHRME OT-58 - AUTOPURGE	ANELLO GRUPPO +SEDE OR CROMATO OT-58 PER SENS	
06200081.3	GR RING OR CHRME OT-58 - ID PORTFILTER	ANELLO GRUPPO+SEDE OR CROMATO OT-58PER RICON	
07300092	1WAY CURVED OPEN NOZZLE	BECCO UNA VIA CURVO OPEN	
07300126	GIGLEUR M8x8 F.1,5 OT-57 +TEA	GIGLER M8x8 F.1,5 OT-57 +TEA	
07300127	GIGLEUR M8x8 F.2,5	GIGLER M8x8 F.2,5	
07300128	PLUG 1/4 GAS ADD.31.01.89 OT-57	TAPPO 1/4 GAS AGG.31.01.89 OT-57	
07300166	FLANGE BLOCK LOCK SOLENOID HOLDER ADD.07.07.03	FLANGIA CHIUSURA BLOCCHETTO PORTA ELETTRV.AG	
07300172	FITTING 3/8"M-3/8"M INT M8 OT-57 USA	RACCORDO 3/8M-3/8M INT M8 OT-57 USA	
07300183	GROUP DIFFUSER h=3 OT-57	PADIGLIONE GRUPPO h=3 OT-57	
07300183.4	GROUP DIFFUSER h=4 OT-58	PADIGLIONE GRUPPO h=4 OT-58	
07300183.57	GROUP DIFFUSER h=5 OT-57	PADIGLIONE GRUPPO H=5 OT-57	
07300226	GIGLEUR M8X8 F.2 OT-57 + TEA	GIGLER M8x8 F.2,0 OT-57 +TEA	
07300231	GIGLEUR M8X8 F.1,8	GIGLER M8x8 F.1,8	
07300595	PORTAFILTER KNOB INSERT 2003 AVP ZINC.	INSERTO MANOPOLA PORTAFILTRO 2003 AVP ZINC.	
07300613	PRE INFUSION CHAMBER INSERT GROUP AURELIA OT-5	INSERTO CAMERA PRE-INFUSIONE GR. AURELIA OT-57	
07300859	FITTING 3/8M-3/8M GIGLER F.3 OT-57	RACCORDO 3/8M-3/8M GIGLER F.3 OT-57	
08000017	S/S FILTER LOCKING SPRING	MOLLA BLOCCA FILTRO ACC.INOX	
202000120	SUPPORT + PF IDENTIFICATION SENSOR (GROUP)	SUPPORTO + SENSORE RICONOSCIMENTO PORTAFILTRO	
40200004	GASKET CONICAL UNDERCOVER 82/84 ShA	GUARNIZ. SOTTOCOPPA CONICA 82/84 ShA	
98005021	COMPLETE SLOPED PORTAFILTER 1WAY N.S.	PORTAFILTRO INCLINATO COMP. 1 VIA N.S.	
98005022	COMPLETE SLOPED PORTAFILTER 2WAY N.S.	PORTAFILTRO INCLINATO COMP. 2 VIE N.S.	
98005024	SLOPED PORTAFILTER BODY + N.S. HANDLE	CORPO PORTAFILTRO INCLINATO NS + MANOPOLA NERO	
980400211001	DISPENSING GROUP KIT 230V	ASS. GR. EROG. AWR 230V	
980400211002	DISPENSING GROUP KIT 230V + AUTOPURGE	ASS. GR. EROG. AWR 230V + AUTOPURGE	
980400211003	DISPENSING GROUP KIT 230V + ID	ASS. GR. EROG. AWR 230V + RICONOSC.	
980400211004	DISPENSING GROUP KIT 230V CSA	ASS. GR. EROG. AWR 230V CSA	

COD.	DESCRIPTION	DESCRIZIONE	VAL.
980400211005	DISPENSING GROUP KIT 230V CSA + AUTOPURGE	ASS. GR. EROG. AWR 230V CSA + AUTOPURGE	
980400211006	DISPENSING GROUP KIT 230V CSA + ID	ASS. GR. EROG. AWR 230V CSA + RICONOSC.	
980500210	IDENTIFICATION PF BODY+KNOB+YELLOW+ID1	CORPO PORTAFILTRO RICONOSC.+MANOPOLA+GIALLO+	
980500212	IDENTIFICATION PF BODY+KNOB+GREEN+ID2	CORPO PORTAFILTRO RICONOSC.+MANOPOLA+VERDE+I	
980500214	IDENTIFICATION PF BODY+KNOB+RED+ID3	CORPO PORTAFILTRO RICONOSC.+MANOPOLA+ROSSO+	
980500216	IDENTIFICATION PF BODY+KNOB+BLACK+ID4	CORPO PORTAFILTRO RICONOSC.+MANOPOLA+NERO+ID	
98160000002090	PORTAFILTER PRESENCE SENSOR AURELIA18 W/CONN	SENSORE PRESENZA PORTAFILTRO AURELIA18 COMPL. I	
KRIC0001	6pc PK LONGLIFE CONICA GASKET SHEATH AURELIA-VA	CONFEZIONE 6pz. GUARNIZIONE SOTTOCOPPA CONICA L	
06200081	GROUP RING OR CHROME OT-58	ANELLO GRUPPO +SEDE OR CROMATO OT-58	

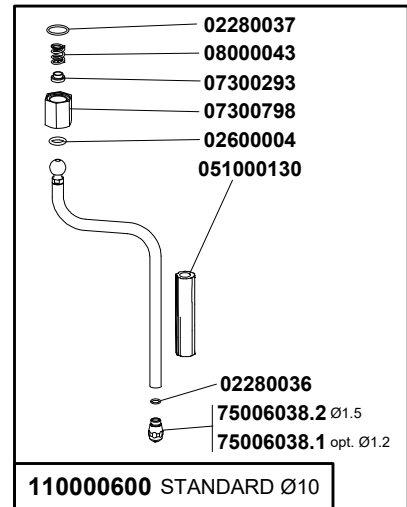


COD.	DESCRIPTION	DESCRIZIONE	VAL.
00000128	S/S HEX CAP SCREW M8x10 THREADED	VITE INOX M8x10 TE TUTTO FIL.	
00000230	COPPER WASHER SEAL 14X18X1.5	RONDELLA GUARNIZIONE RAME RICOTTO 14x18x1.5	
00300001	BRASS NUT 1/4 GAS D5 CH18	DADO OT 1/4 GAS SPESS.5 CH18 *AGG. 22.07.96	
00300002	BRASS NUT 1/4 D3 CH18	DADO OT 1/4 SPESS.3 CH18 AGG. 22.07.96	
00300005	BRASS NUT 1/8 GAS D4 ADD 22.07.96 CH13	DADO OT 1/8 GAS AGG.22.07.96 SPESS.4 CH13	
00300013	BRASS NUT 3/8 GAS D4 CH20 ADD 22.07.96	DADO OT 3/8 GAS SPESS.4 CH20 AGG.22.07.96	
01000090	RETAINING VALVE D10	VALVOLINA DI RITEGNO D.10	
01000113	S/S FLEXIBLE TUBE 3/8 90° 3/8 FF L1500	TUBO FLESS INOX 3/8 A 90 F. - 3/8 F. L=1500	
02060010	COPPER O RING 8.3x13x1.9 ND8	OR RAME 8,3x13x1,9 DN8	
02280032	GASKET O RING 114 D15 EP 851	GUARN. OR 114 D.15 EP 851	
02290016	GASKET O RING D9,5 R5 SIL RED	GUARN. OR D 9,5 R5 SILICONE R.	
03003822	SUPPORT SHAFT PRESSURE TRANSDUCER EAGLE ONE	STAFFA SUPP. TRASDUTTORI DI PRESSIONE EAGLE ONE	
032000650	PRESSURE GAUGE SUPPORT	STAFFA SUPPORTO MANOMETRO AWR	
04100012	2WAY SOLENOID 1/4-1/4 220-230V50/60hz F1.5 UL TH2xM5	E.V. NC 2VIE 1/4-1/4 220-230V 50/60HZ VITON F1.5CE PIEDI	
04500030	ELECTRICAL ENGINE 230V 50/60Hz	MOTORE ELETTRICO 230V 50/60Hz 330W RAFFREDDATO	
04500039	ELEC ENGINE 220/240V 50/60Hz 165W FOR CSA	MOTORE ELETTRICO 220/240V 50/60Hz 165W (x MACCHINI	
04900026	BRASS FLOWMETER 1/4-1/4GAS -ATT. HEAD 2,8x0,5F 1,2	DOSATORE VOLUMETRICO OTT. 1/4-1/4GAS -ATT. TEST 2,	
05001320	TRAIN TRAY AURELIA18	VASCHETTA SCARICO AURELIA18	
05002229	EXHAUST MANIFOLD - 2xØ6 1xØ11	COLLETTORE SCARICO ATTACCHI 2xD.6 - 1xD.11	
06200084.TEA	5WAY MANIFOLD AURELIA OT-57 USA TEA	CROCIERA 5 VIE "AURELIA" OT-57 USA + TEATURA	
07300009	NUT FITTING 1/4 GAS	DADO RACCORDO 1/4 GAS	
07300015	FITTING 3/8 3/8 GAS OT-58 ADD. 26.06.96	RACCORDO 3/8 3/8 GAS OT-58 AGG. 26.06.96	
07300017	FITTING 1/4M 3/8M GAS OT-57 USA	RACCORDO 1/4M 3/8M GAS OT-57 USA	
07300051	FITTING T 1/4 M-M-M CYLIN.	RACCORDO T 1/4 M-M-M CILIN.	
07300063	CLOSED TERMINAL D11	TERMINALE CHIUSO D.11 OT-58	
07300125	GIGLEUR M8x8 F.0,8 OT-57 +TEA	GIGLER M8x8 F.0,8 OT-57 +TEA	
07300229	GIGLEUR M8X8 F.0,5 OT-57 + TEA	GIGLER M8x8 F.0,5 OT-57 +TEA	
07300249	FITTING 1/8M L = 12 3/8F	RACCORDO 1/8M L=12 3/8F	
07300443	FITTING 1/4M 1/4M GIGLER F.0,8 OT-57 USA	RACCORDO 1/4M 1/4M GIGLER F.0,8 OT-57 USA	
07300445	FITTING 1/8M L = 20 1/4F for SENSOR	RACCORDO 1/8M L=20 1/4F x SENSORE	
07300450	FITTING T 1/8 M-F-M OT-57	RACCORDO T 1/8 M-F-M OT-57	
07300612	FITTING 1/4 1/4 GAS WITH ORING + RETURN VALVE LOCK	RACCORDO 1/4 1/4 GAS CON OR + BLOCCA VALVOLINARI	
07300818	PUMP REGISTER KNOB AURELIA II NICKEL	POMELLO REGISTRO POMPANTE AURELIA II NIKELATO	
07300858	FITTING 1/4M-1/4M OT-57 USA	RACCORDO 1/4M-1/4M OT-57 USA	
073500158	DRAIN TAP EXTENTION WER	PROLUNGA RUBINETTO SCARICO WER	
09000016	SPHERE TAP - NETWORK CONNECTION 3/8 M-F MINI	RUBINET. SFERA ALLACCIO RETE 3/8 M-F MINI	
09000018	DISPENSING SPHERE TAP 1/4 M-F "BUTTERFLY"	RUBINET. SFERA DISTRIBUTORE 1/4 M-F A FARFALLA	
09100003	DOUBLE SCALE GAUGE 2,5:15 D.60	MANOMETRO DOPPIA SCALA 2,5:15 D.60	
09200022	PRESSURE TRANSDUCER 0-4 BAR 3/8	TRASDUTTORE DI PRESSIONE 0-4 BAR 3/8	
09200024	PRESSURE TRANSDUCER 0-16 BAR 1/4	TRASDUTTORE DI PRESSIONE 0-16 BAR 1/4	
115000602	CONN.MANIFOLD-FLOWMETER 2GR	CROCIERA COLLEG. DOSATORI 2GR AWR MP VOL	
115000603	CONN.MANIFOLD-FLOWMETER 3GR	CROCIERA COLLEG. DOSATORI 3GR AWR MP VOL	
115000610	VALVE LEVEL - MANIFOLD TUBE	TUBO E.V. LIVELLO - CROCIERA AWR	
115000612	CHARGE PIPE	TUBO CARICO AWR MP	
115000616	COLD WATER MANIFOLD	CROCIERA ACQUA FREDDA AWR	
115000650	BOILER CHARGE PIPE	TUBO CARICO LATO CALDAIA AWR S-V-DGT-UX	
115000652	FLOWMETER - BOILER TUBE S-V	TUBO CALDAIA - MANOMETRO AWR S-V	
115000654	FLOWMETER - BOILER GR1 TUBE	TUBO DOSATORE - CALDAIA GRUPPO 1 AWR V-DGT-UX	
115000656	FLOWMETER - BOILER 2-3GR TUBE	TUBO DOSATORE - CALDAIA GRUPPO 2-3 AWR V-DGT-UX	
115000664		TUBO CALDAIA - SENSORE DI PRESSIONE AWR XT	

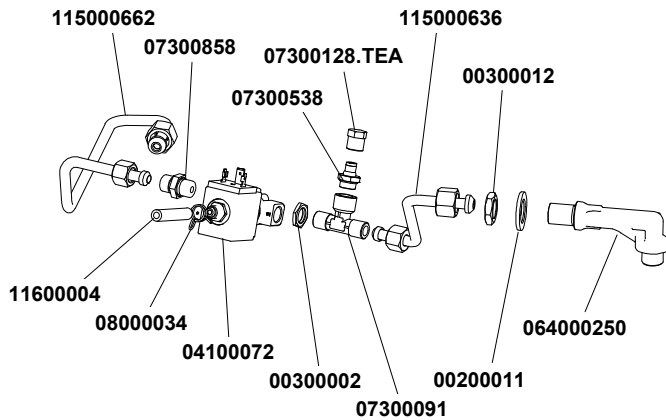
COD.	DESCRIPTION	DESCRIZIONE	VAL.
119000102	S/S FLEXIBLE TUBE 1/4 A 90° F. - 1/4 F. L=350	TUBO FLESS.INOX 1/4 A 90° F. - 1/4 F. L=350 (daconfermare)	
98004001	S/S FILTER D8	FILTRO INOX DIAM. 8	
98004016	S/S FILTER D12	FILTRO INOX DIAM. 12	
98030075	CAPILLARY TUBE 1/8-1/4 0,9X2X400 GAUGE-PUMP	TUBO CAPILLARE 1/8-1/4 0,9x2x400 MANOM.-POMPA	
98030165	TUBE 1/4 1/4 SEMI-AUTO MODIFY APPIA 1-2-3GR	TUBO 1/4 1/4 MODIFICA SEMIAUT APPIA 1-2-3 GR.	
98120001	NEPLAX VITON 16,5 BAR VALVE 1/8 HOSE CLAMP	VALVOLA NEPLAX VITON 16,5 BAR 1/8 - PORTAGOMMA	
981700212	OT PUMP ASSEMBLY 100LT	ASS. POMPANTE OT 100LT AWR	
981700213	OT PUMP ASSEMBLY 200LT	ASS. POMPANTE OT 200LT AWR	
07300100.G5	CONNECTION 1/4M-1/4M GIGLER F.0,5 OT-57 USA	ATTACCO SCAR. 1/4M-1/4M GIGLER F.0,5 OT-57 USA	
98030223	FLOWMETER ASSEMBLY GIGLEUR 0,5	ASSIEME DOSATORE VA358 DIGIT AURELIA18 V-DGTGIGLI	
98030224	FLOWMETER ASSEMBLY GIGLEUR 0,8	ASSIEME DOSATORE VA358 DIGIT AURELIA18 V-DGTGIGLI	



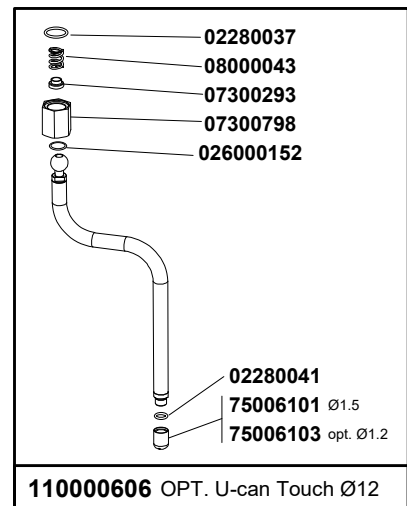
RIGHT STEAM WAND



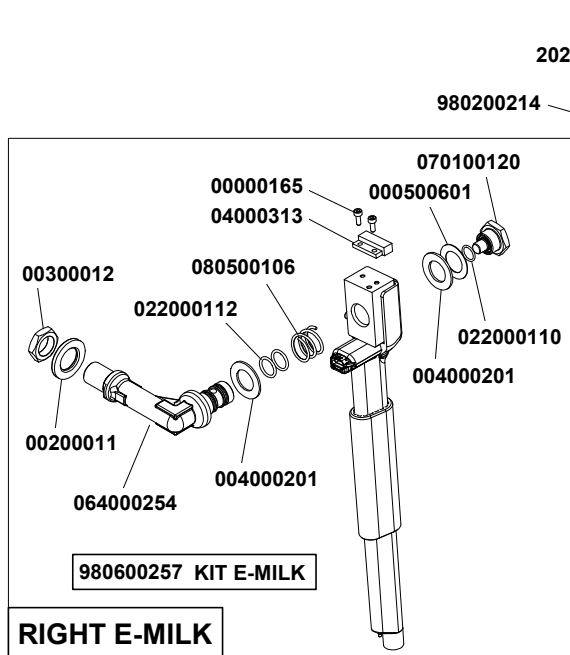
110000600 STANDARD Ø10



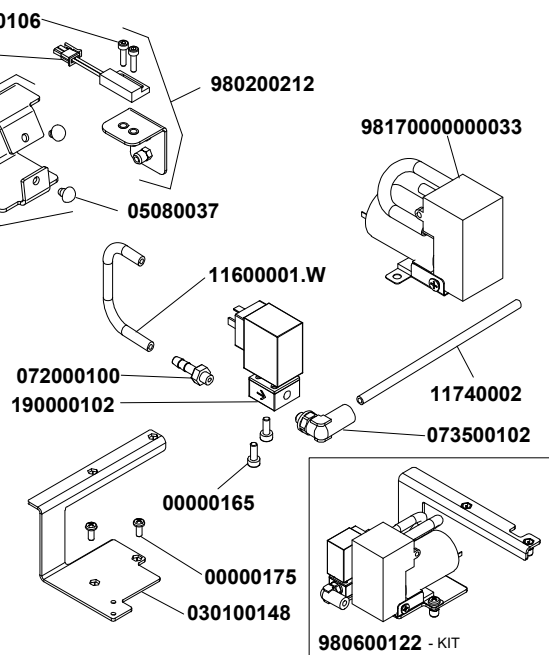
LEFT STEAM WAND



110000606 OPT. U-can Touch Ø12



RIGHT E-MILK



COD.	DESCRIPTION	DESCRIZIONE	VAL.
00000165	S/S SCREW M3x8 TCEI ISO 4762	VITE INOX M3x8 TCEI ISO 4762	
00000175	S/S CROSS HEAD CAP SCREW M4x10	VITE INOX M4x10 TC TCR	
000500601	S/S WASHER 26x16.2x0.5	RONDELLA INOX D.16,2X26X0,5	
00200011	GALV WASHER M16 17x30x3	RONDELLA AQ M16 17x30x3 ZINC	
00300002	BRASS NUT 1/4 D3 CH18	DADO OT 1/4 SPESS.3 CH18 AGG. 22.07.96	
00300012	BRASS NUT 3/8 GAS D6 CH22 ADD 22.07.96	DADO OT 3/8 GAS SPESS.6 CH22 AGG. 22.07.96	
004000201	TEFLON WASHER 36x16.2x1.5	RONDELLA TEFLON 36X16,2 H1,5mm	
022000110	GASKET O RING 9.5x1.4	GUARN. OR 9,50x1,4	
022000112	GASKET O RING 12.42x1.78	GUARN. OR 12,42x1,78	
02280036	O RING FOR STEAM WAND NOZZLE D6x1.2 EPDM70 500	GUARN. OR x BECCO LANCIA VAP. DI 6x1.2 EPDM70(CONF	
02280037	GASKET O-RING JOINT LOCK 16x2 NBR70	GUARN. OR CHIUSURA SNODO 16x2 NBR70	
02280041	GASKET ORING2031 7,65x,78 XP70	GUARN. OR 2031 7,65x1,78 XP70	
02600004	O RING 15,2x10,2x2,5 TEFLON x STEAM WAND SPHERE	GUARN. OR 15,2x10,2x2,5 TEFLONx SFERA LANCIAPAPOR	
026000152	O RING TEFLON x STEAM WAND SPHERE Ø12	GUARN. OR TEFLON x SFERA LANCIA VAPORE D.12 AWR	
030100148	SUPPORT COMPRESSOR MAVERICK	SUPPORTO COMPRESSORE MAVERICK - WER	
04000313	MAGNETIC UNIT M 305 AA	UNITA' MAGNETICA M 305 AA	
04100072	3WY SOLENOID 1/4-1/4 DISCHARGE 1/8 208/240V 50/60Hz	E.V. NC 3VIE 1/4-1/4 SCAR.1/8 208/240V 50/60Hz F5EDPM	
051000130		GOMMINO PROTEZIONE LANCIA D.10 AWR	
064000250	STEAM WAND-WATER SUPPORT	ATTACCO LANCIA VAPORE-ACQUA AWR	
064000254	AUTO STEAM WATER WAND	ATTACCO LANCIA VAPORE AUTOMATICA AWR	
070100120	E-MILK WAND SCREW	VITE SNODO LANCIA E-MILK	
072000100	RUBBER CLAMP M5 M5 L GIR. D4	PORTAGOMMA M5 DIRITTO	
07300091	T FITTING MFM 1/4 CYLIN.	RACCORDO T 1/4 M-F-M CILIN.	
07300128.TEA	PLUG 1/4 GAS+THEATURE	TAPPO 1/4 GAS AGG.31.01.89 OT-57 + TEATURA	
07300293	ARTICULATED BUSHING AG.25.06.96 OT-57	BUSSOLA SNODO AG.25.06.96 OT-57	
07300538	RAPID FITTING 1/4 STRAIGHT D4	RACCORDO RAPIDO 1/4 DIRITTO D4	
07300798	NUT FITTING 3/8 H=26 BRASS-NICKEL ARTICULATED WA	DADO RACC. 3/8 H=26 LANCIA SNODATA OTTONENICHEL	
07300858	FITTING 1/4M-1/4M OT-57 USA	RACCORDO 1/4M-1/4M OT-57 USA	
073500102	RAPID FITTING	RACCORDO RAPIDO M5 L GIR. D4	
08000034	HOSE CLAMP D12	FASCETTA STRINGITUBO D12	
08000043	SPRING FOR ARTICULATED WAND D.1.6 D.11.9x16.2 4CO	MOLLA PER LANCIA SNODATA FILO D.1.6 D.11.9x16.2 4SPI	
080500106	SPRING E-MILK SUPPORT	MOLLA ATTACO VAPORE E-MILK	
110000600		KIT LANCIA VAPORE AWR	
110000606	U-CAN TOUCH STEAM WAND KIT	KIT LANCIA VAPORE FREDDA AWR	
115000632	SOLENOID-RIGHT STEAM WAND TUBE	TUBO E.V. - LANCIA VAPORE DX AWR	
115000636	SOLENOID-LEFT STEAM WAND TUBE	TUBO E.V. - LANCIA VAPORE SX AWR	
115000660		TUBO CALDAIA - E.V. VAPORE DX AWR S-V-DGT-UX	
115000662		TUBO CALDAIA - E.V. VAPORE SX AWR S-V-DGT-UX	
11600001.W	WHITE SILICONE PIPE 4x7,5 60Sh(1mt=41gr) PLATINICO S	TUBO SILICONE BIANCO4x7,5 60Sh(1mt=41gr) PLATINICO S	
11600004	SILICONE PIPE 5x9 60Sh PEROX WHITE SEMITRASPAREN	TUBO SILICONE 5x9 70Sh PEROX TRASPARENTE(1mt=50gr	
11740002	CALIBRATED TEFLON PIPE 4/2,5 TRASPARENT (ROLLS O	TUBO TEFLON 4/2,5 CALIBRATO TRASPARENTE (ROTTOLI D	
190000102	2 WAYS SOLENOID AIR PROPORTIONAL	E.V. NC 2VIE 24V CC PROPORZIONALE ARIAMICROEV. 0,8	
75006038.1	STEAM NOOZLE M8,65X0,75 F.1,2 ESAG.12	BECCO VAPORE M8,65x0,75 F. 1,2 ESAG.12	
75006038.2	STEAM NOZZLE M8,65x0,75 F. 1,5 ESAG.12	BECCO VAPORE M8,65x0,75 F. 1,5 ESAG.12	
75006101	STEAM NOZZLE "BLK PEEK D.12" 1/8 4HOLE D1,5	BECCO VAPORE "PEEK NERO D.12" 1/8" FEMMINA F. 1,5	
75006103	STEAM NOZZLE "BLK PEEK D.12" 1/8 4HOLE D1,2	BECCO VAPORE "PEEK NERO D.12" 1/8" FEMMINA F. 1,2	
980600122	SUPPORT+ E.V. EASY CREAM SET MAVERICK - WER	ASS. SUPP. + E.V. 24V EASY CREAM MAVERICK - WER -AW	
980600257	RIGHT E-MILK WAND + ATTACHMENT SET AWR	ASS. ATTACCO + LANCIA E-MILK DX AWR	
98170000000033	MICROCOMPRESSOR + SUPPORT SET TALENTO	ASS. SUPPORTO + MICROCOMPRESSORE ARIA	
002000106	GALV SCREW M3x10 TCEI	VITE AQ M3x10 TCEI ZINC.	

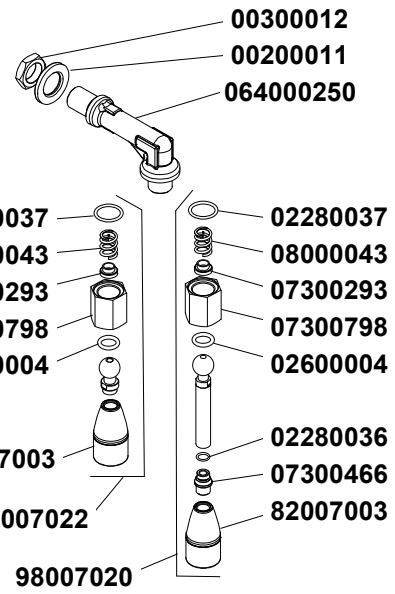
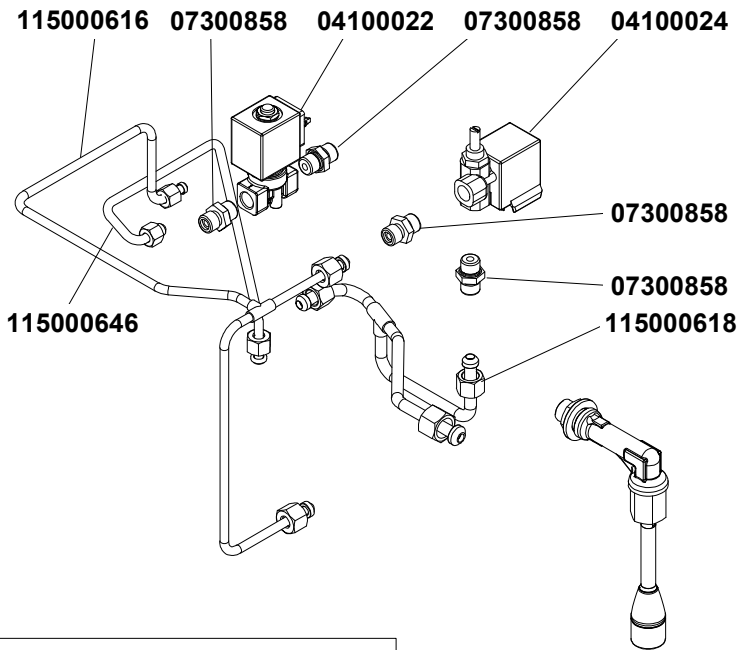
NUOVA AURELIA

S.XT-V.XT-SEM-VOL-UX

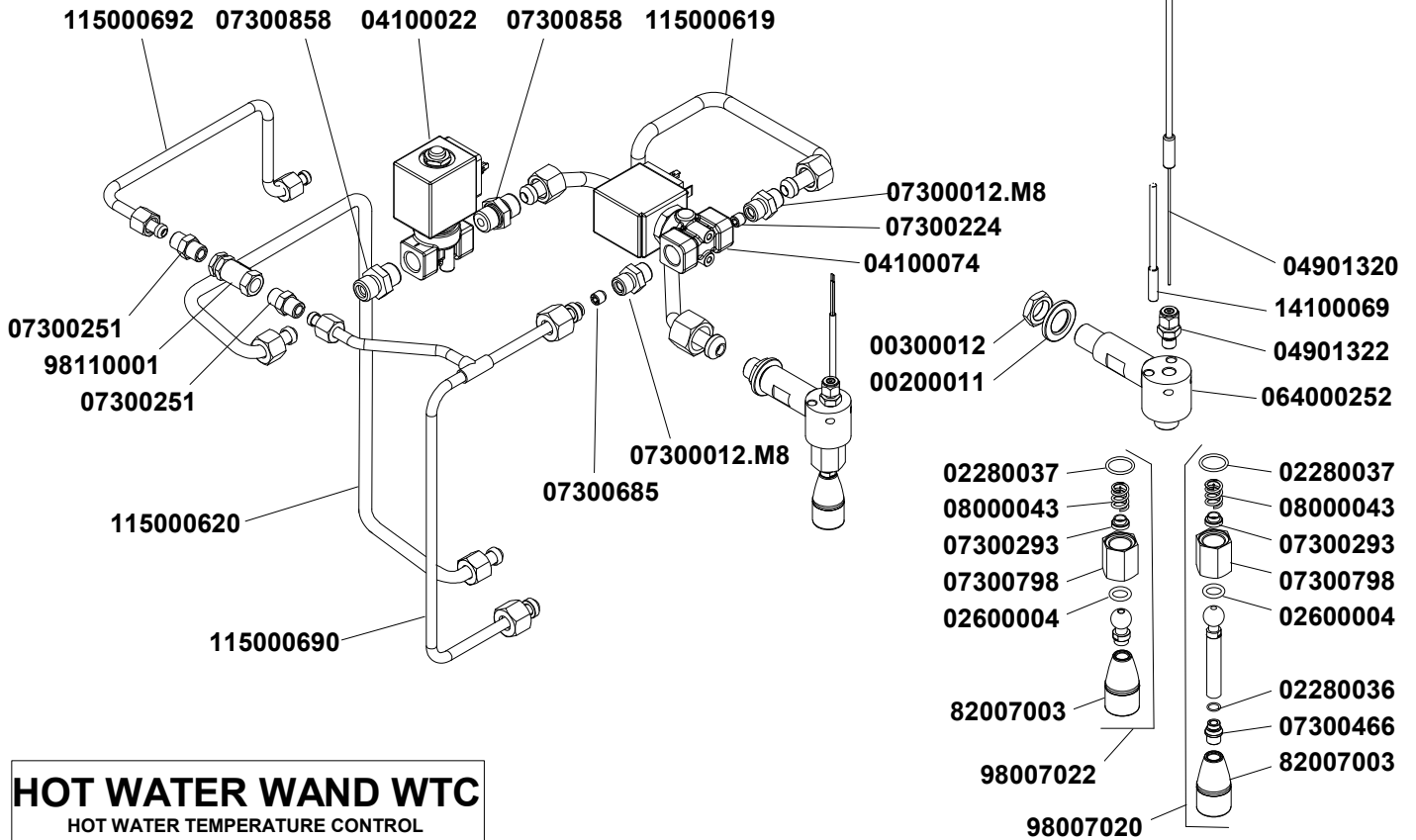
LANCE VAPORE

STEAM WAND

COD.	DESCRIPTION	DESCRIZIONE	VAL.
05080037	HARD RUBBER ROUND FOOT 9x5XH9	PIEDINO GOMMA DURA TONDO 9x5xh9	
202000130	E-MILK MAGNETIC SENSOR	SENSORE MAGNETICO E-MILK	
980200212	KIT E-MILK MAGNET WAND SUPPORT AWR	ASS. SUPPORTO MAGNETE LANCIA E-MILK AWR	
980200214	KIT E-MILK WAND STOPPER AWR	ASS. BATTUTA LANCIA E-MILK AWR	



HOT WATER WAND



HOT WATER WAND WTC
HOT WATER TEMPERATURE CONTROL

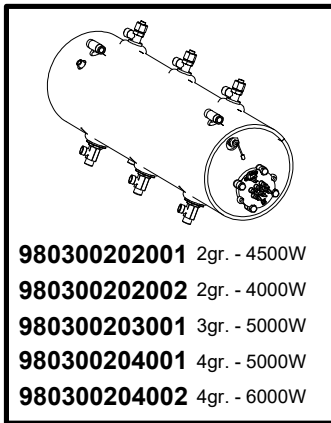
COD.	DESCRIPTION	DESCRIZIONE	VAL.
00200011	GALV WASHER M16 17x30x3	RONDELLA AQ M16 17x30x3 ZINC	
00300012	BRASS NUT 3/8 GAS D6 CH22 ADD 22.07.96	DADO OT 3/8 GAS SPESS.6 CH22 AGG. 22.07.96	
02280036	O RING FOR STEAM WAND NOZZLE D6x1.2 EPDM70 500 I	GUARN. OR x BECCO LANCIA VAP. DI 6x1.2 EPDM70(CONF	
02280037	GASKET O-RING JOINT LOCK 16x2 NBR70	GUARN. OR CHIUSURA SNODO 16x2 NBR70	
02600004	O RING 15,2x10,2x2,5 TEFLON x STEAM WAND SPHERE	GUARN. OR 15,2x10,2x2,5 TEFLONx SFERA LANCIAPAPOR	
04100022	2WAY SOLENOID 1/4-1/4 220-230V50/60Hz F3 CE TH1xM4	E.V. NC 2VIE 1/4-1/4 220-230V 50/60Hz RUBINO F3 CE PIED	
04100024	2WAY SOLENOID 1/4 REGUL 90° 230V50/60Hz F3 CE	E.V. NC 2VIE 1/4 REGOLAT. 90° 230V 50/60Hz F.3 CE	
04100074	2WAY SOLENOID 1/4-1/4 24V CC PROPORTIONAL VALVE	E.V. NC 2VIE 1/4-1/4 24V CC PROPORZIONALE	
04901320	K-TYPE THERMOCOUPLE AURELIA18	TERMOCOPPIA TIPO K "WTC" AURELIA18	
04901322	CONNECTOR FOR THERMOCOUPLE AURELIA18	RACCORDO PER TERMOCOPPIA "WTC" AURELIA18	
064000250	STEAM WAND-WATER SUPPORT	ATTACCO LANCIA VAPORE-ACQUA AWR	
064000252	HOT WATER WAND SUPPORT "WTC"	ATTACCO LANCIA ACQUA "WTC" AWR	
07300012	FITTING 1/4 1/4M-1/4M Aisi316	RACCORDO 1/4M-1/4M + SEDE OR INOX Aisi316	
07300012.M8	FITTING 1/4 1/4 GAS CON OR F.M8 OT-57 USA	RACCORDO 1/4M-1/4M + SEDE OR + FILETT.M8 INOXAisi30	
07300224	GIGLEUR M8x8 F 1	GIGLER M8x8 F.1	
07300251	FITTING 1/8 M-M HOLE 5,5 + THREADED M6 x L=11	RACCORDO 1/8 M-M FORO 5,5 + FILETT. M6 x L.=11	
07300293	ARTICULATED BUSHING AG.25.06.96 OT-57	BUSSOLA SNODO AG.25.06.96 OT-57	
07300466	S/S THREADED CONNECTION FOR STEAMWAND PROGR	RACCORDO FILET. INOX x LANCIA VAPORE MAC/PROGRA	
07300685	GIGLER M8x8 F.1,2	GIGLER M8x8 F.1,2	
07300798	NUT FITTING 3/8 H=26 BRASS-NICKEL ARTICULATED WAI	DADO RACC. 3/8 H=26 LANCIA SNODATA OTTONENICHEL/	
07300858	FITTING 1/4M-1/4M OT-57 USA	RACCORDO 1/4M-1/4M OT-57 USA	
08000043	SPRING FOR ARTICULATED WAND D.1.6 D.11.9x16.2 4CO	MOLLA PER LANCIA SNODATA FILO D.1.6 D.11.9x16.2 4SPI	
115000618	HOT WATER MAINFOLD MIX	CROCIERA MISCELATORE ACQUA CALDA AWR	
115000619	HOT WATER MAINFOLD MIX "WTC"	CROCIERA MISCELATORE ACQUA CALDA AWR "WTC"	
115000646	BOILER-HOT WATER SOLENOID TUBE	TUBO CALDAIA - E.V. ACQUA CALDA AWR S-V-DGT-UX	
115000690	COLD WATER MANIFOLD "WTC"	CROCIERA ACQUA FREDDA AWR "WTC"	
115000692	COLD WATER - FLOWMETER TUBE "WTC"	TUBO ACQUA FREDDA-COLL. DOSATORI AWR "WTC"	
14100069	CARTRIDGE HEAT. ELEMENT D6,5x26 10W 24V	RESISTENZA A CARTUCCIA D6,5x26 10W 24V	
82007003	HOTWATER DIFFUSER D23,5 F1/8 WITH PLASTIC AERATC	ROMPIGETTO ACQUA CALDA D.23,5 F 1/8" CON AERATOR	
98004016	S/S FILTER D12	FILTRO INOX DIAM. 12	
98007020	S/S HOTWATER WAND KIT L100 HIGH NUT W/ DIFFUSER	KIT LANCIA ACQUA C. INOX L=100 DADO ALTO COMPLETC	
98007022	S/S HOTWATER WAND KIT VA388 W/ DIFFUSER	KIT LANCIA ACQUA C. INOX L=70 DADO ALTO COMPLETOI	
98110001	RETURN VALVE 1/8 F-FOT-58	VALVOLA RITEGNO COMPL. 1/8 F-F OT-58	
115000616	COLD WATER MANIFOLD	CROCIERA ACQUA FREDDA AWR	
115000620	BOILER - HOT WATER SOLENOID TUBE	TUBO CALDAIA - E.V. ACQUA CALDA AWR MP	

NUOVA AURELIA

S.XT-V.XT-SEM-VOL-UX

CALDAIE

BOILERS



980300202001 2gr. - 4500W

980300202002 2gr. - 4000W

980300203001 3gr. - 5000W

980300204001 4gr. - 5000W

980300204002 4gr. - 6000W

115000646

115000644 HIGH

115000642 LOW

98031102 LOW

98031106 HIGH

115000664

115000650

115000654

115000656

01000687

180000152 2gr.

180000153 3gr.

01000685

07300097.TEA

07300067

09000005

98240014100095 4000W - 2gr

98240014100031 4500W - 2gr

98240014100012 5000W - 3gr / 4gr

98240014100032 6000W - 4gr CSA

01000023

03000202

07300099

07300236

115000622

053000301

40000005

98013022

053000302

08000034

11600003

VOL

115000648

03000258

09200006

T.07

NUOVA AURELIA

S.XT-V.XT-SEM-VOL-UX

CALDAIE

BOILERS

COD.	DESCRIPTION	DESCRIZIONE	VAL.
00000048	SELF-TAPPING SCREW 2.9x4.5	VITE AUTOF 2,9x4,5 TC/T.CR.	
00000094	S/S HEX CAP SCREW M8x20 5739	VITE INOX M8x20 TE 5739	
00300032	NUT 1/2 GAS D5 CH25 ADD 22.07.96	DADO OT 1/2" GAS SPESS.5 CH25 AGG.22.07.96	
01000023	ANTI VACUUM VALVE	VALVOLINA SFIATO	
01000685	RIGHT BOILER INSULATION D.180 MELAMINE	ISOLANTE D.185 DX CALDAIA MACCHINE T3 MELAMMINA	
01000687	LEFT BOILER INSULATION D.180 MELAMINE	ISOLANTE D.185 SX CALDAIA MACCHINE T3 MELAMMINA	
02060015	GASKET FOR HEATING ELEMENT 067x054x2	GUARNIZIONE PTFE 067x054x2	
02280011	GASKET O RING R11 D19 EP 851	GUARN. OR R11 D19 EP 851	
02290016	GASKET O RING D9,5 R5 SIL RED	GUARN. OR D 9,5 R5 SILICONE R.	
03000202	CONDENSATION TRAY MASTER	VASCETTA RACCOGLI CONDENSA AGG. 07.06.97	
03000258	PRESSURE SWITCH SUPPORT P/1-MAC 1	SUPPORTO PRESSOSTATO P/1-MAC1	
053000301	SAFETY VALVE COVER BODY	CORPO COPRI VALVOLA SICUREZZA	
053000302	SAFETY VALVE COVER CLOSURE Ø8	CHIUSURA COPRI VALVOLA SICUREZZAPER TUBO D.8	
07300067	NUT FITTING 3/8 GAS D11 ADD. 15.11.84 OT-58	DADO RACCORDO 3/8 GAS D11 AGG. 15.11.84 OT-58	
07300097.TEA	CLOSED TERMINAL D14 OT-57+SP. TREAT.	TERMINALE CHIUSO D 14 OT-57 + TEATURA	
07300099	FITTING ADAPTER 3/8-1/4 ES. 20 ADD. 29.05.96	RIDUZIONE 3/8-1/4 ES.20 AGG. 29.05.96	
07300213.10TEA	EXCHANGER 1/2 GAS F.10 OT-57 USA + TEA	CORPO SCAMBIATORE 1/2 GAS F.10 OT-57 USA + TEATUR	
07300236	T FITTING 3/8 M-F-F 466	RACCORDO A T 3/8 M-F-F	
08000034	HOSE CLAMP D12	FASCETTA STRINGITUBO D12	
09000005	COMPLETE AUTOLEVEL PROBE L=130	SONDA AUTOLIVELLO COMP. L=130	
09200006	MACHINE PRESSO GAUGE CE/UL TRIF. 30A 400V 0,5-1,4E	PRESSOSTATO MACCHINA CE/UL TRIF. 30A 400V0,5-1,4BA	
09500024	MANUAL THERMOSTAT 135°C TRIP FREE GREEN DRIPPI	TERMOSTATO R.MAN. 135°C TRIP FREE GOCCIOLATURAV	
115000622	SAFETY VALVE TUBE	TUBO VALVOLA SICUREZZA AWR MP	
115000642	SUP. PIPE LOW GROUP	TUBO SUP. GR. BASSO AWR S-V-DGT	
115000644	SUP. PIPE HIGH GROUP	TUBO SUP. GR. ALTO AWR S-V-DGT	
115000646	BOILER-HOT WATER SOLENOID TUBE	TUBO CALDAIA - E.V. ACQUA CALDA AWR S-V-DGT-UX	
115000648	BOILER-PRESSURE CONTROL TUBE	TUBO CALDAIA - PRESSOSTATO AWR	
115000650	BOILER CHARGE PIPE	TUBO CARICO LATO CALDAIA AWR S-V-DGT-UX	
115000654	FLOWMETER - BOILER GR1 TUBE	TUBO DOSATORE - CALDAIA GRUPPO 1 AWR V-DGT-UX	
115000656	FLOWMETER - BOILER 2-3GR TUBE	TUBO DOSATORE - CALDAIA GRUPPO 2-3 AWR V-DGT-UX	
115000664		TUBO CALDAIA - SENSORE DI PRESSIONE AWR XT	
11600003	SILICONE PIPE 8x12 70Sh PEROX (1mt=75gr) TRASPAREN	TUBO SILICONE 8x12 70Sh PEROX (1mt=75gr)TRASPAREN	
180000152		ISOLANTE CALDAIA D.180 PASSO 21 2GR.	
180000153		ISOLANTE CALDAIA D.180 PASSO 21 3GR.	
40000005	BRASS WASHER 27x17x2 ROUGH	RONDELLA OT 27x17x2 GREZZA	
98013022	SAFETY VLVE C10 1,8 BAR 3/8" VITON 97/23/CE CAT.IV H1	VALVOLA SICUREZZA C10 1,8 BAR 3/8" VITON 97/23/CECAT	
980300202001		ASS. CALDAIA 2GR. D.180 PASSO 21	
980300203001		ASS. CALDAIA 3GR. D.180 PASSO 21	
98030055	INTERNAL TEFLON TUBE EXCHANGER D6x180mm	TUBO TEFLON INT. SCAMBIATORE D.6 x 180 mm.	
98031102	INFERIOR LOW GR TUBE AURELIA18	TUBO INF. GR. BASSO AURELIA18	
98031106	INFERIOR RAISED GR TUBE AURELIA18	TUBO INF. GR. ALTO AURELIA18	
98240014100012	HEATING ELEMENT W/ NUTS 5000W	RESISTENZA COMPLETA DI DADI 5000W	
98240014100031	HEATING ELEMENT W/ NUTS 4500W	RESISTENZA COMPLETA DI DADI 4500W	
98240014100032	HEATING ELEMENT W/ NUTS 6000W	RESISTENZA COMPLETA DI DADI 6000W	
98240014100095	HEATING ELEMENT W/ NUTS 4000W 230/380V	RESISTENZA COMPLETA DI DADI 4000W 230/380	

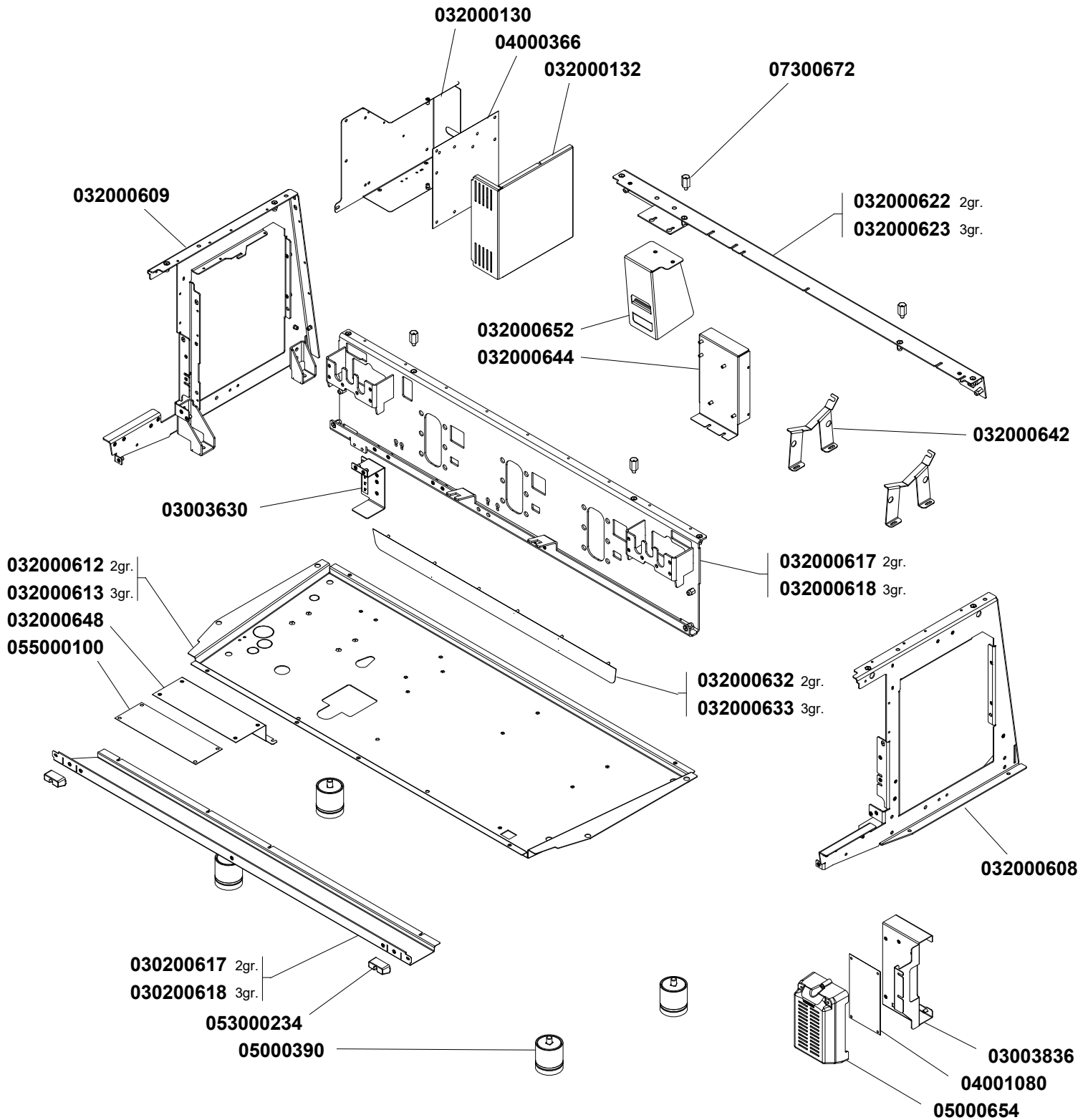
NUOVA AURELIA

NUOVA AURELIA

S.XT-V.XT-SEM-VOL-UX

TELAIO

FRAME



*Specify Version

T.08

NUOVA AURELIA

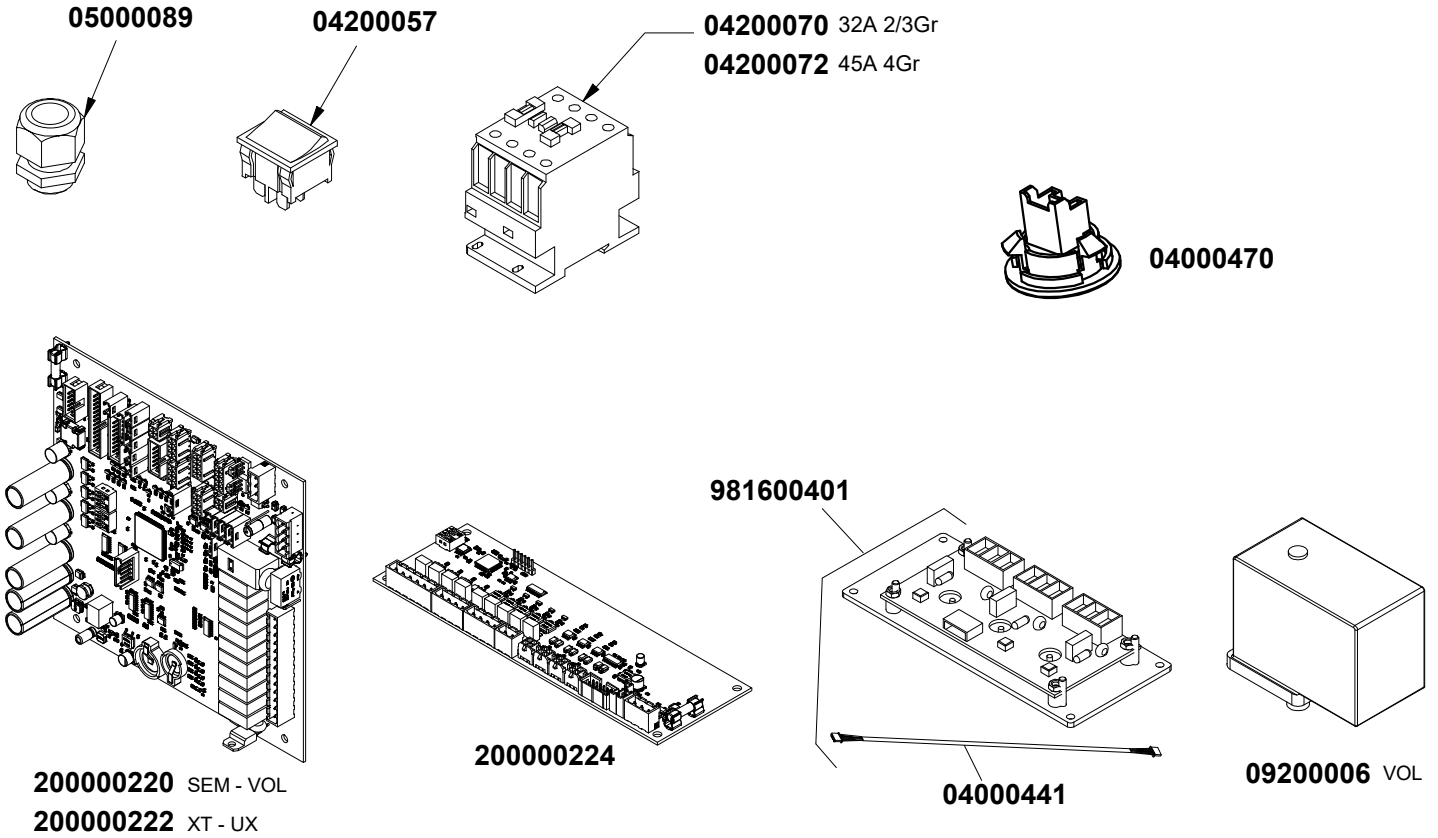
NUOVA AURELIA

S.XT-V.XT-SEM-VOL-UX

TELAIO

FRAME

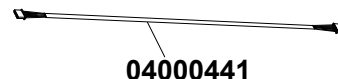
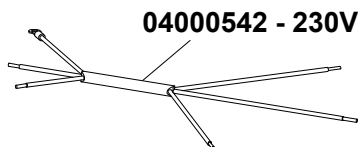
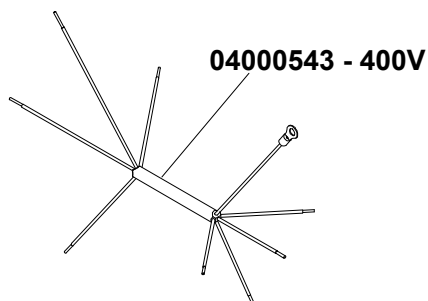
COD.	DESCRIPTION	DESCRIZIONE	VAL.
03003630	STAFF SUPPORT CLAMP AURELIA18	STAFFA SUPP. MORSETTIERA AURELIA18	
03003836	SINGLE BOILER CONTROL UNIT SUP. + STEAM RELAY	SUPPORTO CENTRALINA UNICA CALDAIE+RELE' VAPORE	
030200617	FRONT INF. FRAME 2GR	CARENA ANTERIORE INF. 2GR. AWR	
030200618	FRONT INF. FRAME 3GR	CARENA ANTERIORE INF. 3GR. AWR	
032000130	CONTROL BOARD CASE 2023	CONTENITORE CENTRALINA 2023	
032000132	CLOSING CONTROL BOARD CASE 2023	CHIUSURA CONTENITORE CENTRALINA 2023	
032000608	RIGHT SIDE FRAME	FIANCO TELAIO DX AWR	
032000609	LEFT SIDE FRAME	FIANCO TELAIO SX AWR	
032000612	MAIN BASE 2GR	BASAMENTO PORTANTE 2GR. AWR	
032000613	MAIN BASE 3GR	BASAMENTO PORTANTE 3GR. AWR	
032000617	GROUP HOLDER WALL 2GR	PARETE PORTAGRUPPI 2GR. AWR	
032000618	GROUP HOLDER WALL 3GR	PARETE PORTAGRUPPI 3GR. AWR	
032000622	REAR UPPER CROSSBAR 2GR	TRAVERSA SUP. POSTERIORE 2GR. AWR	
032000623	REAR UPPER CROSSBAR 3GR	TRAVERSA SUP. POSTERIORE 3GR. AWR	
032000632	FRONT LUMINOUS SUPPORT 2GR	SUPPORTO LUMINOSA FRONT. 2GR. AWR	
032000633	FRONT LUMINOUS SUPPORT 3GR	SUPPORTO LUMINOSA FRONT. 3GR. AWR	
032000642	BOILER SUPPORT	SUPPORTO CALDAIA AWR	
032000644	POWER SUPPLY SUPPORT	SUPPORTO ALIMENTATORE AWR	
032000648	CENTRAL BOARD SERVICE SUPPORT	SUPPORTO CENTRALINA SERVIZI AWR	
032000652	SWITCH SUPPORT	SUPPORTO TELERUTTATORE AWR	
04000366	PVC MAIN BOARD PROTECTION AURELIA	PROTEZIONE CENTRALINA AURELIA	
04001080	MACHINE CONTROL UNIT PROTECTION T3	PROTEZIONE CENTR. CONTROLLO MACCHINE T3	
05000390	MALE FOOT 1GR VA D40 H40 M10x12	PIEDE D.50 H=55 INSERTO M10x12 MASCHIO	
05000654	BOILER CONTROL UNIT CLOSING	CHIUSURA CENTRALINA CALDAIE EAGLE ONE	
053000234	ANTI-LIFTING PLUG	TASSELLO ANTISOLLEVAMENTO PIATTO AWR	
055000100	CENTRAL BOARD SERVICE PROTECTION	PROTEZIONE CENTRALINA SERVIZI AWR	
07300672	CUP WARMER FASTENING EXTENSIONS TALENTO	PROLUNGA FISSAGGIO SCALDATAZZE	



CODE	DESCRIPTION	DESCRIZIONE
04000470	12VDC LED SPOT AURELIA WAVE	LED AURELIA18 12V
04001020	TRANSFORMER BOARD WTC	TRASFORMATORE WTC
046000300	TRANSFORMER 24V 75W	TRASFORMATORE 24V 75W
046000302**	TRANSFORMER 24V 90W	TRASFORMATORE 24V 90W
04901132	MODULO WIFI	MODULO WIFI
200000120	GATEWAY BOARD FILTER HOLDER	SCHEDA GATEWAY PF

*Specify Version
 **North America Market

COD.	DESCRIPTION	DESCRIZIONE	VAL.
04000441	CABLE CONNECT. TRIAC BOILER L=1900	CAVO COLLEG. TRIAC CALDAIA L=1900	
04000470	12VDC LED SPOT AURELIA WAVE	LED AURELIA18 12V	
04001020	TRANSF BOARD IN 90/264 VACOUT:24 VDC LPV 20-24	TRASF.CENTRALINA IN 90/264 VACOUT:24 VDC LPV-20-24	
04200057	DBL POWER BIPOLAR BIG SWITCH 10A UL 22X19 AURELI	INTERRUT. ACCENSIONE BIPOL. GRANDE 10A UL 22x19AU	
04200070	4POLE CONTACTOR 32 A CE/UL COIL 230V	CONTATTORE QUADRIPOLORE 32A CE/UL BOBINA 230V	
04200072	4POLE CONTACTOR 45A CE/UL COIL 230V	CONTATTORE QUADRIPOLORE 45A CE/UL BOBINA 230V	
046000300	TRANSFORMER 24V 75W LRS-75-24	TRASFORMATORE 24V 75WLM75-20B24 / LRS-75-24	
046000302	TRANSFORMER 24V 90W IRM-90-24ST (MEANWELL)	TRASFORMATORE 24V 90W IRM-90-24ST (Meanwell)	
04901132	MODULO WIFI2020	MODULO WIFI2020	
05000089	CABLE DUCT TEC-S M25 WITH NUT	PRESSACAVO TEC-S M25 CON DADO	
09200006	MACHINE PRESSO GAUGE CE/UL TRIF. 30A 400V 0,5-1,4E	PRESSOSTATO MACCHINA CE/UL TRIF. 30A 400V0,5-1,4BA	
200000120	PF IDENTIFICATION (GATEWAY BOARD SET)	ASS. SCHEDA GATEWAY RICONOSCIMENTO PORTAFILTR	
200000220		CENTRALINA BASE AWR SEM-VOL	
200000222	BASE CENTRAL BOARD CPU	CENTRALINA CPU BASE AWR SEM XT - VOL XT - MP	
200000224	OPT BOARD CPU AWR	CENTRALINA CPU SERVIZI AWR	
981600401	BT TRIAC BOARD KIT	ASSIEME SCHEDA BT TRIAC	



CODE	DESCRIPTION	DESCRIZIONE
04000244	3POLE CONN CABLE RAST 2.5/MOLEX L = 800mm for PSTY	CAVO COLL.3P RAST 2,5/MOLEX L.800 X TRASD. PRESS.
040500200	WIRING E-MILK KNOB AWR	CABLAGGIO KNOB VAPORE E-MILK AWR
040500232	6-POLE CABLE STEAM KNOB LEFT	CAVO 6 POLI SX KNOB VAPORE
040500234	6-POLE CABLE STEAM KNOB RIGHT 2-3GR	CAVO 6 POLI DX KNOB VAPORE 2-3GR.
040500235	6-POLE CABLE STEAM KNOB RIGHT 4GR	CAVO 6 POLI DX KNOB VAPORE 4GR.
040500240	SUPP. WIRING DISPLAY KNOB	SUPPL. CABLAGGIO KNOB DISPLAY
040500242	24VDC CABLE OPT BOARD POWER SUPPLY	CAVO 24VDC ALIMENTAZIONE SCHEDA OPT
040500253	WIRING 24V TRANSFORMER-AWR CONTROL UNIT	CABLAGGIO 24V TRASFORMATORE-CENTRALINA AWR
040500258	GROUND CABLE 2 EYELET D3-D4 E-MILK AWR	CAVO TERRA 2 OCCHIELLI D.3-D.4 E-MILK AWR
040500267	WIRING EXTENSION E-MILK AWR 2GR	SUPPL. CABLAGGIO E-MILK AWR 2GR.
040500268	WIRING EXTENSION E-MILK AWR 3GR	SUPPL. CABLAGGIO E-MILK AWR 3GR.
040500269	WIRING EXTENSION E-MILK AWR 4GR	SUPPL. CABLAGGIO E-MILK AWR 4GR.
040500270	10-WAY CONTROL UNIT CABLE OPTIONAL AWR	CAVO 10 VIE CENTRALINA-CENTRALINA OPTIONAL AWR
040500420	CABLE GATEWAY BOARD - ID PF	CAVO COLLEG. SCHEDA GATEWAY - ID PF
04901296	EXTENSION INDUCTIVE SENSOR FILTER HOLDER	PROLUNGA SENSORE INDUTTIVO PRESENZA PF

*Specify Version
**North America Market

T.10

COD.	DESCRIPTION	DESCRIZIONE	VAL.
04000244	3POLE CONN CABLE RAST 2.5/MOLEX L = 800mm for PST	CAVO COLL.3P RAST 2,5/MOLEX L.800mm x TRASDUTTOR	
04000441	CABLE CONNECT. TRIAC BOILER L=1900	CAVO COLLEG. TRIAC CALDAIA L=1900	
04000542	ELECTRICAL CABLE 3x4 H07RN-F 2mt450/750V CB ICEL	CAVO ELETTR. 3x4 H07RN-F 2mt450/750V CB -> ICEL <-	
04000543	ELEC. CABLE 5x2,5 H07RN-F CB450/750V 2,5mt ICEL	CAVO ELETTR. 5x2,5 H07RN-F CB450/750V 2,5mt ICEL	
040500200	WIRING E-MILK KNOB AWR	CABLAGGIO KNOB VAPORE E-MILK AWR	
040500232		CAVO 6 POLI SX PER KNOB VAPORE AWR	
040500234		CAVO 6 POLI DX PER KNOB VAPORE AWR 2-3GR.	
040500240	SUPP. WIRING DISPLAY KNOB	SUPPL. CABLAGGIO KNOB DISPLAY	
040500242	POWER SUPPLY CABLE 24VDC OPT BOARD	CAVO 24VDC ALIMENTAZIONE SCHEDA OPT	
040500253	WIRING 24V TRANSFORMER-AWR CONTROL UNIT	CABLAGGIO 24V TRASFORMATORE-CENTRALINA AWR	
040500258	GROUND CABLE 2 EYELET D3-D4 E-MILK AWR	CAVO TERRA 2 OCCHIELLI D.3-D.4 E-MILK AWR	
040500267	WIRING EXTENSION E-MILK AWR 2GR	SUPPL. CABLAGGIO E-MILK AWR 2GR.	
040500268	WIRING EXTENSION E-MILK AWR 3GR	SUPPL. CABLAGGIO E-MILK AWR 3GR.	
040500270	10-WAY CONTROL UNIT CABLE OPTIONAL AWR	CAVO 10 VIE CENTRALINA-CENTRALINA OPTIONAL AWR	
040500420	CABLE GATEWAY BOARD - ID PF	CAVO COLLEG. SCHEDA GATEWAY RICONOSCIMENTOPOC	
04901296	EXT CABLE INDUCTIVE SENSOR PORTAFILTER AURELIA	PROLUNGA SENSORE INDUTTIVO "PRESENZA PORTAFILT	

www.nuovasimonelli.it

Simonelli Group

Via E. Betti, 1
62020 Belforte del Chienti
Macerata - Italy
T +39 07339501
info@simonelligroup.it
www.nuovasimonelli.it

Nuova Distribution Usa

6940 Salashan Pkwy, Bldg, A
Ferndale, WA 98248
T +1 3603662226
info@simonelliusa.com
www.simonelliusa.com

Nuova Simonelli Asia Pacific

61 Kaki Bukit Ave 1
#02-24 Shun Li Industrial Park
Singapore 417943
T +65 68410985
www.nuovasimonelliasiapacific.com

Nuova Distribution France

Hexapole - Actipole - Bat 5
Rue Maurice Herzog
73420 Viviers Du Lac
T +33 (0) 967894852
info@nuovadistribution.fr